

HISTORY INFORMATION FOR THE FOLLOWING MANUAL:

SERVICE MANUAL

FIX2 CHASSIS

<u>MODEL NAME</u>	<u>REMOTE COMMANDER</u>	<u>DESTINATION</u>
KDL-40VL130	RM-YD014	US
KDL-52W3000	RM-YD017	US/CND
KDL-52WL130	RM-YD017	US
KDL-52WL135	RM-YD014	US

ORIGINAL MANUAL ISSUE DATE: 8/2007

 :UPDATED ITEM

<u>REVISION DATE</u>	<u>SUBJECT</u>
8/2007	No revisions or updates are applicable at this time.
9/2007	Updated Self Check illustration. Replaced page 12. Added PNs for LCD Panels and FB1 Boards for S/N 8,100,001 to 8,499,999 and 8,600,001 on up. Replaced page 100 & 103.
10/2007	Updated schematic diagrams to correct connector pins #s that were up side down. Replaced pages 29, 36, 39, 42, 45, 47, 62, 64, 78, 81, 89, & 94.
12/2007	Updated entire manual to include KDL-52WL135 model.

LCD DIGITAL COLOR TELEVISION

SONY[®]

SERVICE MANUAL

FIX2 CHASSIS

<u>MODEL NAME</u>	<u>REMOTE COMMANDER</u>	<u>DESTINATION</u>
KDL-40VL130	RM-YD014	US
KDL-52W3000	RM-YD017	US/CND
KDL-52WL130	RM-YD017	US
KDL-52WL135	RM-YD014	US



KDL-40VL130



RM-YD014

LCD DIGITAL COLOR TELEVISION

SONY®

TABLE OF CONTENTS

SECTION TITLE	PAGE	SECTION TITLE	PAGE
Specifications	5	3-4. Schematics and Supporting Information	31
Warnings and Cautions	7	AU Board Schematic Diagram (1 of 6).....	31
Safety-Related Component Warning	8	AU Board Schematic Diagram (2 of 6).....	32
Safety Check-Out	10	AU Board Schematic Diagram (3 of 6).....	33
Self-Diagnostic Function.....	11	AU Board Schematic Diagram (4 of 6).....	34
SECTION 1: DISASSEMBLY.....	13	AU Board Schematic Diagram (5 of 6).....	35
1-1. Rear Cover Removal.....	13	AU Board Schematic Diagram (6 of 6).....	36
1-2. Arm (Bracket) and Stand Removal	13	DF1 Board Schematic Diagram (KDL-40VL130 Only)	38
1-3. Speakers, HW3 Board, and AC Inlet Removal	14	DF4 Board Schematic Diagram (ALL EXCEPT KDL-40VL130)	41
1-4. HW1 Board Removal	14	DF5 Board Schematic Diagram (ALL EXCEPT KDL-40VL130)	44
1-5. UB2 Board Removal (KDL-52WL135 Only)	14	FB1 Board Schematic Diagram (ALL EXCEPT KDL-40VL130) (1 of 16).....	47
1-6. HV2 Board Removal (KDL-40VL130 Only) or HW2 Board Removal (ALL EXCEPT KDL-40VL130).....	15	FB1 Board Schematic Diagram (ALL EXCEPT KDL-40VL130) (2 of 16).....	48
1-7. AU Board and FB1 Board (ALL EXCEPT KDL-40VL130) or FB3 Board (KDL-40VL130 Only) Removal	15	FB1 Board Schematic Diagram (ALL EXCEPT KDL-40VL130) (3 of 16).....	49
1-8. TUU2 Board Removal	16	FB1 Board Schematic Diagram (ALL EXCEPT KDL-40VL130) (4 of 16).....	50
1-9. DF1 Board and GF1 Board Removal (KDL-40VL130 Only).....	16	FB1 Board Schematic Diagram (ALL EXCEPT KDL-40VL130) (5 of 16).....	51
1-10. DF4 Board, DF5 Board, and GF2 Board Removal (All Except KDL-40VL130)	17	FB1 Board Schematic Diagram (ALL EXCEPT KDL-40VL130) (6 of 16).....	52
1-11. Stay Removal.....	17	FB1 Board Schematic Diagram (ALL EXCEPT KDL-40VL130) (7 of 16).....	53
1-12. LCD Panel Removal	18	FB1 Board Schematic Diagram (ALL EXCEPT KDL-40VL130) (8 of 16).....	54
1-13. (Balancer Boards) ETC-Inverter MT Board Removal.....	19	FB1 Board Schematic Diagram (ALL EXCEPT KDL-40VL130) (9 of 16).....	55
SECTION 2: SERVICE ADJUSTMENTS.....	20	FB1 Board Schematic Diagram (ALL EXCEPT KDL-40VL130) (10 of 16).....	56
2-1. Remote Adjustment Buttons and Indicators	20	FB1 Board Schematic Diagram (ALL EXCEPT KDL-40VL130) (11 of 16).....	57
2-2. Accessing Service Adjustments	20	FB1 Board Schematic Diagram (ALL EXCEPT KDL-40VL130) (12 of 16).....	58
2-3. Updating Model Information after Replacing the FB1 Board or FB3 Board.....	22	FB1 Board Schematic Diagram (ALL EXCEPT KDL-40VL130) (13 of 16).....	59
SECTION 3: DIAGRAMS.....	23	FB1 Board Schematic Diagram (ALL EXCEPT KDL-40VL130) (14 of 16).....	60
3-1. Circuit Boards Location	23	FB1 Board Schematic Diagram (ALL EXCEPT KDL-40VL130) (15 of 16).....	61
3-2. Printed Wiring Boards and Schematic Diagrams Information	24	FB1 Board Schematic Diagram (ALL EXCEPT KDL-40VL130) (16 of 16).....	62
3-3. Block Diagram	25		
3-3-1. Block Diagram (KDL-40VL130 Only).....	25		
3-3-2. Block Diagram (KDL-52W3000/52WL130 Only).....	26		
3-3-3. Block Diagram (KDL-52WL135 Only).....	27		
3-3-4. Connector Diagram (KDL-40VL130 Only)	28		
3-3-5. Connector Diagram (KDL-52W3000/52WL130 Only).....	29		
3-3-6. Connector Diagram (KDL-52WL135 Only)	30		

SECTION TITLE	PAGE	SECTION TITLE	PAGE
FB3 Board Schematic Diagram (KDL-40VL130 Only) (1 of 15).....	64	SECTION 4: EXPLODED VIEWS	101
FB3 Board Schematic Diagram (KDL-40VL130 Only) (2 of 15).....	65	4-1. Rear Cover Assembly and Stand Assembly	101
FB3 Board Schematic Diagram (KDL-40VL130 Only) (3 of 15).....	66	4-2. Chassis	102
FB3 Board Schematic Diagram (KDL-40VL130 Only) (4 of 15).....	67	4-3. Connectors.....	103
FB3 Board Schematic Diagram (KDL-40VL130 Only) (5 of 15).....	68	4-4. Speakers	104
FB3 Board Schematic Diagram (KDL-40VL130 Only) (6 of 15).....	69	4-5. Bezel Assembly and LCD Panel (KDL-40VL130 Only).....	105
FB3 Board Schematic Diagram (KDL-40VL130 Only) (7 of 15).....	70	4-6. Bezel Assembly and LCD Panel (KDL-52W3000/52WL130 Only)	106
FB3 Board Schematic Diagram (KDL-40VL130 Only) (8 of 15).....	71	4-7. Bezel Assembly and LCD Panel (KDL-52WL135 Only).....	107
FB3 Board Schematic Diagram (KDL-40VL130 Only) (9 of 15).....	72	SECTION 5: ELECTRICAL PARTS LIST	108
FB3 Board Schematic Diagram (KDL-40VL130 Only) (10 of 15).....	73	APPENDIX A: ENCRYPTION KEY COMPONENTS.....	A-1
FB3 Board Schematic Diagram (KDL-40VL130 Only) (11 of 15).....	74		
FB3 Board Schematic Diagram (KDL-40VL130 Only) (12 of 15).....	75		
FB3 Board Schematic Diagram (KDL-40VL130 Only) (13 of 15).....	76		
FB3 Board Schematic Diagram (KDL-40VL130 Only) (14 of 15).....	77		
FB3 Board Schematic Diagram (KDL-40VL130 Only) (15 of 15).....	78		
GF1 Board Schematic Diagram (KDL-40VL130 Only)	80		
GF2 Board Schematic Diagram (ALL EXCEPT KDL-40VL130)	83		
HV2 Board Schematic Diagram (KDL-40VL130 Only)	85		
HW1 Board Schematic Diagram	88		
HW2 Board Schematic Diagram (ALL EXCEPT KDL-40VL130) (1 of 2).....	90		
HW2 Board Schematic Diagram (ALL EXCEPT KDL-40VL130) (2 of 2).....	91		
HW3 Board Schematic Diagram	94		
TUU2 Board Schematic Diagram (1 of 2)	96		
TUU2 Board Schematic Diagram (2 of 2)	97		
3-5. Semiconductors	100		

SPECIFICATIONS

Power Requirements 120V-240V AC, 50/60Hz

Power Consumption (W)

In Use (Max) 220W (KDL-40VL130 Only)
295W (All except KDL-40VL130)

In Standby Less than 0.4W

VIDEO (IN) 1/2/3:

S Video (4-Pin Mini DIN (VIDEO 1 Only))

Y: 1.0 Vp-p, 75 ohms unbalanced, sync negative
C: 0.286 Vp-p (Burst signal), 75 ohms

Video

1.0 Vp-p, 75ohms unbalanced, sync negative

Audio

500 mVrms (100% modulation)
Impedance:47 kilohms

COMPONENT IN 1/2:

Y_PB_PR_P (Component Video)

Y:1.0 Vp-p, 75 ohms unbalanced, sync negative
P_B:0.7 Vp-p, 75 ohms
P_R:0.7 Vp-p, 75 ohms
Signal format: 480i, 480p, 720p, 1080i, 1080p

AUDIO

500 mVrms (100% modulation)
Impedance: 47 kilohms

HDMI IN 1/2/3:

HDMI: Video:480i, 480p, 720p, 1080i,1080p, 1080/24p
Audio: Two channel linear PCM 32, 44.1 and
48 kHz, 16, 20 and 24 bits, Dolby Digital

AUDIO (for HDMI IN 1):

500 mVrms (100% modulation) (Fixed)
Impedance: 47 kilohms

AUDIO OUT:

500 mVrms (100% modulation) (Fixed)
1 Vrms at the maximum volume setting (Variable)

DIGITAL OUT (OPTICAL):

Optical Digital Audio Output (PCM/Dolby digital)

PC IN:

D-sub 15-pin, analog RGB, 0.7 Vp-p, 75 ohms, positive

PC AUDIO INPUT:

Stereo mini jack, 500 mVrms 1(100% modulation)
Impedance: 47 kilohms

HEADPHONES:

Stereo mini jack
Impedance: ≥16 ohms

Trademark Information



As an ENERGY STAR® Partner, Sony Corporation has determined that this product meets the ENERGY STAR® guidelines for energy efficiency. ENERGY STAR® is a U.S. registered mark.

Blu-ray Disc is a trademark.



“BRAVIA” and BRAVIA, BRAVIA ENGINE EX, “XMB” and “XrossMediaBar”, S-Force, BRAVIA Theatre Sync, R, DM^x, BRAVIA Internet Video Link Ready and “PS3” are trademarks or registered marks of Sony Corporation and/or Sony Computer Entertainment Inc.



This TV is manufactured under license from Dolby Laboratories. “Dolby” and the double-D symbol are trademarks of Dolby Laboratories.



This TV incorporates High-Definition Multimedia Interface (HDMI™) technology. HDMI, the HDMI logo and High-Definition Multimedia Interface are trademarks or registered trademarks of HDMI Licensing LLC.

Design and specifications are subject to change without notice.

	KDL-40VL130	KDL-52W3000/52WL130/52WL135
Speakers		
Output	11W + 11W	
Full Range	(2) 1 ^{5/8} x 5 ^{7/8} inches (2) 42 x 150 mm	(2) 2 ^{6/8} X 5 ^{1/8} inches (2) 70 X 130 mm
Tweeter		(2) 1 ^{5/8} inches (2) 40 mm
Dimensions (W x H x D)		
with stand	39 ^{1/8} x 27 ^{1/8} x 10 ^{1/2} inches 992 x 688 x 265 mm	50 ^{3/8} x 34 ^{1/2} x 15 ^{1/8} inches 1278 x 874 x 384 mm
without stand	39 ^{1/8} x 25 ^{3/8} x 4 ^{7/8} inches 992 x 643 x 122 mm	50 ^{3/8} x 32 ^{7/8} x 4 ^{7/8} inches 1278 x 832 x 123 mm
wall-mount hole pattern	300 x 200 mm	400 x 300 mm
Mass		
with stand	56 lbs. 25.0 kg	95 lbs. 43 kg
without stand	48 lbs. 21.5 kg	79 lbs. 35.5 kg

All measurements are approximations.

Television system

NTSC American TV Standard
ATSC (8VSB terrestrial) ATSC compliant 8VSB
QAM on cable ANSI/SCTE 07 2000

Channel coverage

Analog
2-69 Terrestrial
1-125 Cable
Digital
2-69 Terrestrial
1-135 Cable

Antenna

75-ohm external terminal for VHF/UHF

Panel System

LCD (Liquid Crystal Display) Panel

Display Resolution (horizontal x vertical):

1,920 dots x 1,080 lines

Screen Size (measured diagonally)

KDL-40VL130 - ~40 inches
KDL-52W3000/52WL130/52WL135 - ~52 inches

Supplied Accessories

Remote Commander RM-YD014 (KDL-40VL130/52WL135 Only)
Remote Commander RM-YD017 (KDL-52W3000/52WL130 Only)
Two Size AA (R6) Batteries
75-ohm coaxial cable
AC Power Cord
HD15-HD15 Cable
Suport Belt (Lock Assy, Rudder) Securing Screw,
and Wood Screw
(See Bag Assy, Rudder Lock in the Accessories and Packing
section of the Electrical Parts List in this manual.)
Cable Holder (1 attached to the TV)
Operating Instructions
Quick Setup Guide
Warranty Card

Optional Accessories

Headphones Plug Adaptor
Connecting Cables
Wall-Mount Bracket
SU-WL500
TV-Stand
RHT-G800
SU-FL300M (KDL-40VL130 Only)
SU-FL300L (KDL-52W3000/52WL130/52WL135 Only)

WARNINGS AND CAUTIONS

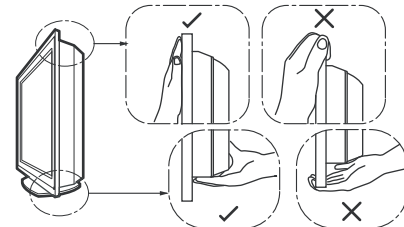
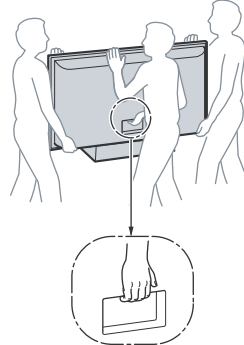
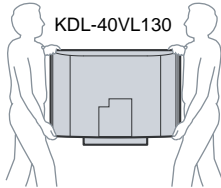
CAUTION

These servicing instructions are for use by qualified service personnel only. To reduce the risk of electric shock, do not perform any servicing other than that contained in the operating instructions unless you are qualified to do so.

CARRYING THE TV

To avoid dropping the TV and causing serious injury, KDL-52W3000/52WL130/52WL135 When lifting or moving the TV, hold it firmly from the bottom. Place your palm directly under the panel.

- Before carrying the TV, disconnect all cables.
- Carrying the large size TV requires two or more people.
- When you carry the TV, place your hand as illustrated and hold it securely.
Do not put stress on the LCD panel.




- When carrying, do not subject the TV to shocks or vibration, or excessive force.

WARNING!!

An isolation transformer should be used during any service to avoid possible shock hazard, because of live chassis. The chassis of this receiver is directly connected to the ac power line.



SAFETY-RELATED COMPONENT WARNING!!

Components identified by shading and  mark on the schematic diagrams, exploded views, and in the parts list are critical for safe operation. Replace these components with Sony parts whose part numbers appear as shown in this manual or in supplements published by Sony. Circuit adjustments that are critical for safe operation are identified in this manual. Follow these procedures whenever critical components are replaced or improper operation is suspected.

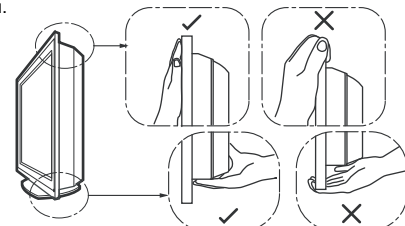
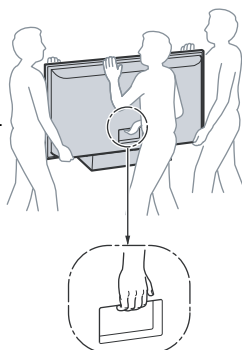
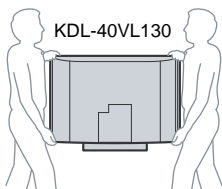
ATTENTION!!

Ces instructions de service sont à l'usage du personnel de service qualifié seulement. Pour prévenir le risque de choc électrique, ne pas faire l'entretien autre que celui contenu dans le Mode d'emploi à moins que vous soyez qualifié faire ainsi.

POUR TRANSPORTER LE TÉLÉVISEUR

Assurez-vous de suivre ces consignes pour éviter de laisser tomber le téléviseur et de provoquer des blessures graves: KDL-52W3000/52WL130/52WL135

- Avant de transporter le téléviseur, débranchez tous les câbles.
- Le transport du téléviseur doit être effectué par au moins deux personnes.
- Lorsque vous le transportez, placez vos mains tel que cela est illustré et tenez solidement l'appareil. N'appliquez pas de pression sur l'écran ACL.




- Lorsque vous levez ou déplacez le téléviseur, assurez-vous de tenir solidement de la base. Placez la paume des mains directement sous le panneau.

- Lorsque vous transportez le téléviseur, ne le soumettez pas à des chocs ou vibrations, ni à une force excessive.

Afin d'éviter tout risque d'électrocution provenant d'un châssis sous tension, un transformateur d'isolement doit être utilisé lors de tout dépannage. Le châssis de ce récepteur est directement raccordé à l'alimentation du secteur.



ATTENTION AUX COMPOSANTS RELATIFS A LA SECURITE!!

Les composants identifiés par une trame et par une marque  sur les schémas de principe, les vues explosées et les listes de pièces sont d'une importance critique pour la sécurité du fonctionnement. Ne les remplacer que par des composants Sony dont le numéro de pièce est indiqué dans le présent manuel ou dans des suppléments publiés par Sony. Les réglages de circuit dont l'importance est critique pour la sécurité du fonctionnement sont identifiés dans le présent manuel. Suivre ces procédures lors de chaque remplacement de composants critiques, ou lorsqu'un mauvais fonctionnement suspecté.

SAFETY-RELATED COMPONENT WARNING

There are critical components used in LCD color TVs that are important for safety. These components are identified with shading and \triangle mark on the schematic diagrams and the electrical parts list. It is essential that these critical parts be replaced only with the part number specified in the electrical parts list to prevent electric shock, fire, or other hazard.

NOTE: Do not modify the original design without obtaining written permission from the manufacturer or you will void the original parts and labor guarantee.

USE CAUTION WHEN HANDLING THE LCD PANEL

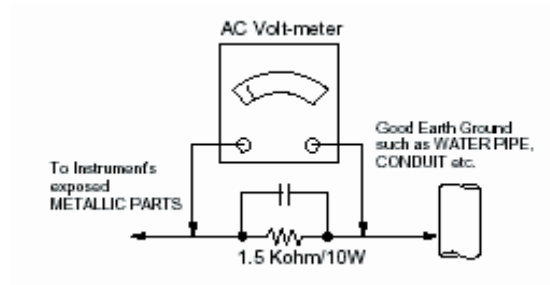
When repairing the LCD panel, be sure you are grounded by using a wrist band.

When installing the LCD panel on a wall, the LCD panel must be secured using the 4 mounting holes on the rear cover.

To avoid damaging the LCD panel:

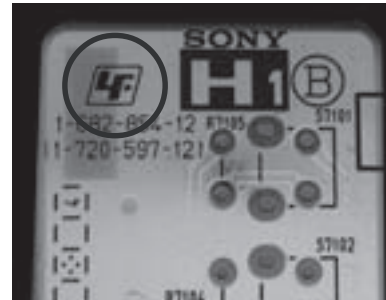
- do not press on the panel or frame edge to avoid the risk of electric shock.
- do not scratch or press on the panel with any sharp objects.
- do not leave the module in high temperatures or in areas of high humidity for an extended period of time.
- do not expose the LCD panel to direct sunlight.
- avoid contact with water. It may cause a short circuit within the module.
- disconnect the AC adapter when replacing the backlight (CCFL) or inverter circuit.
(High voltage occurs at the inverter circuit at 650Vrms.)
- always clean the LCD panel with a soft cloth material.
- use care when handling the wires or connectors of the inverter circuit. Damaging the wires may cause a short.
- protect the panel from ESD to avoid damaging the electronic circuit (C-MOS).

LEAKAGE CURRENT HOT CHECK CIRCUIT



example 1

The circuit boards used in these models have been processed using Lead Free Solder. The boards are identified by the LF logo located close to the board designation e.g. H1 etc [see example]. The servicing of these boards requires special precautions to be taken as outlined below.



It is strongly recommended to use Lead Free Solder material in order to guarantee optimal quality of new solder joints. Lead Free Solder is available under the following part numbers :

Part number	Diameter	Remarks
7-640-005-19	0.3mm	0.25Kg
7-640-005-20	0.4mm	0.50Kg
7-640-005-21	0.5mm	0.50Kg
7-640-005-22	0.6mm	0.25Kg
7-640-005-23	0.8mm	1.00Kg
7-640-005-24	1.0mm	1.00Kg
7-640-005-25	1.2mm	1.00Kg
7-640-005-26	1.6mm	1.00Kg

Due to the higher melting point of Lead Free Solder the soldering iron tip temperature needs to be set to 370 degrees centigrade. This requires soldering equipment capable of accurate temperature control coupled with a good heat recovery characteristics.

For more information on the use of Lead Free Solder, please refer to <http://www.sony-training.com>

SAFETY CHECK-OUT

After correcting the original service problem, perform the following safety checks before releasing the set to the customer:

1. Check the area of your repair for unsoldered or poorly soldered connections. Check the entire board surface for solder splashes and bridges.
2. Check the interboard wiring to ensure that no wires are "pinched" or touching high-wattage resistors.
3. Check that all control knobs, shields, covers, ground straps, and mounting hardware have been replaced. Be absolutely certain that you have replaced all the insulators.
4. Look for unauthorized replacement parts, particularly transistors, that were installed during a previous repair. Point them out to the customer and recommend their replacement.
5. Look for parts which, though functioning, show obvious signs of deterioration. Point them out to the customer and recommend their replacement.
6. Check the line cords for cracks and abrasion. Recommend the replacement of any such line cord to the customer.
7. Check the antenna terminals, metal trim, "metallized" knobs, screws, and all other exposed metal parts for AC leakage. Check leakage as described below.

Leakage Test

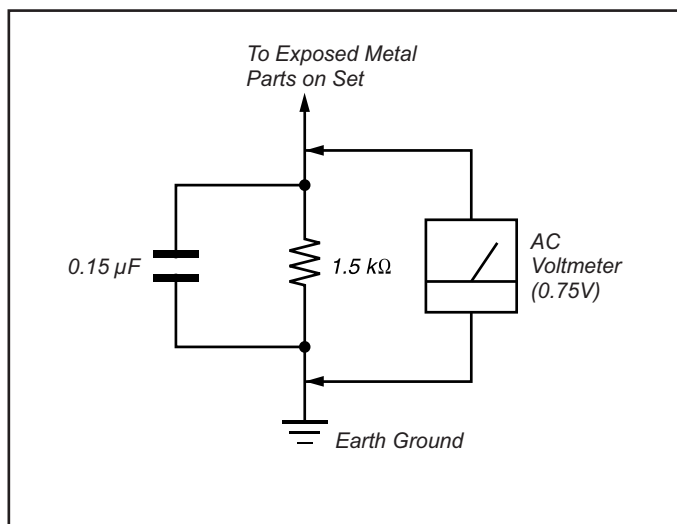


Figure A. Using an AC voltmeter to check AC leakage.

The AC leakage from any exposed metal part to earth ground and from all exposed metal parts to any exposed metal part having a return to chassis, must not exceed 0.5 mA (500 microamperes). Leakage current can be measured by any one of three methods.

1. A commercial leakage tester, such as the Simpson 229 or RCA WT-540A. Follow the manufacturers' instructions to use these instructions.
2. A battery-operated AC milliammeter. The Data Precision 245 digital multimeter is suitable for this job.
3. Measuring the voltage drop across a resistor by means of a VOM or battery-operated AC voltmeter. The "limit" indication is 0.75 V, so analog meters must have an accurate low voltage scale. The Simpson's 250 and Sanwa SH-63TRD are examples of passive VOMs that are suitable. Nearly all battery-operated digital multimeters that have a 2 VAC range are suitable (see Figure A).

How to Find a Good Earth Ground

A cold-water pipe is a guaranteed earth ground; the cover-plate retaining screw on most AC outlet boxes is also at earth ground. If the retaining screw is to be used as your earth ground, verify that it is at ground by measuring the resistance between it and a cold-water pipe with an ohmmeter. The reading should be zero ohms.

If a cold-water pipe is not accessible, connect a 60- to 100-watt trouble-light (not a neon lamp) between the hot side of the receptacle and the retaining screw. Try both slots, if necessary, to locate the hot side on the line; the lamp should light at normal brilliance if the screw is at ground potential (see Figure B).

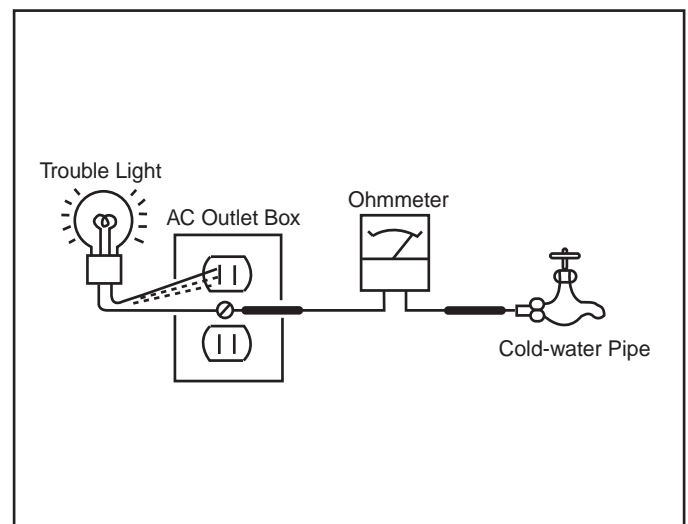
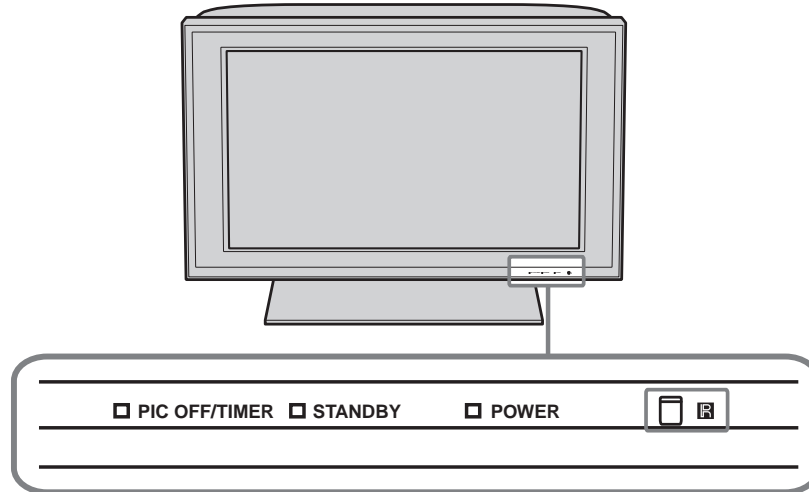


Figure B. Checking for earth ground.

SELF-DIAGNOSTIC FUNCTION

Self Diagnosis
Supported model

Control Buttons

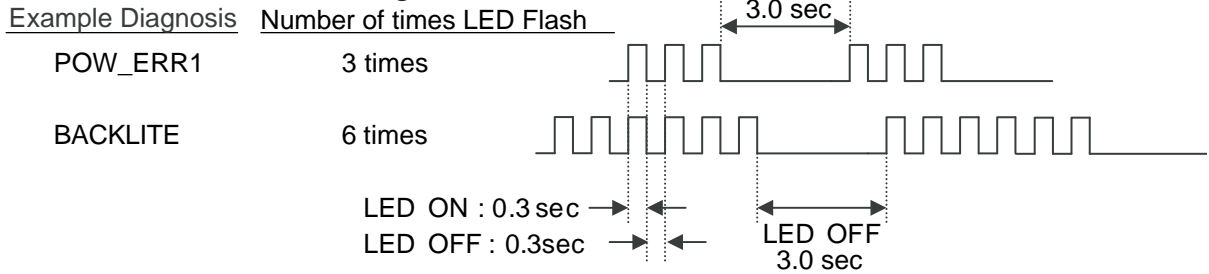


Description of LED Indicators

LED	LED Type	Description
POWER LED	Green LED	* Light when the TV set is on
STANDBY LED	Red LED	* Lights up in red when TV is in PC standby mode. * If LED blinks continuously, this may indicate that the TV needs servicing.
PIC OFF/ TIMER LED	Green or Orange LED	* Lights up in green when Picture Off is activated * Lights up in orange when the timer is set When timer is set, the LED remains lit even when the TV is turned off.

The units in this manual contain a self-diagnostic function. If an error occurs, the STANDBY LED automatically begins to flash. The number of times the LED flashes translates to a probable source of the problem. A definition of the STANDBY LED flash indicators is listed in the instruction manual for the user's knowledge and reference. If an error symptom is difficult to reproduce use the Remote Commander to display the record that is stored at the internal NVM to specify the cause.

- One flash is not used for self-diagnosis.



Diagnostic Indicators

When an error occurs, the STANDBY LED flashes a set number of times to indicate the possible cause of the problem. If there is more than one error, the LED will identify the first of the problem areas. If the errors occur simultaneously, the one that corresponds to the fewest flashes is identified first. (Results for all of the following diagnostic items are displayed on screen. No error has occurred if the screen displays a "00")

1. TV must be in standby mode. (Power off).
2. Press the following buttons on the Remote Commander within a second of each other:



The Self Check list displays.

↑ This differs from accessing Service Adjustments.

Information Indicator displays time of last 3 events
(Not used in FIX2 models)

LED	Display	Contents
SELF CHECK		====
000 :	====	Power OVP
002 :	POW_OVP	Power Error
003 :	POW_ERR1	T-CON Error
005 :	T_CON	Backlight Error
006 :	BACKLITE	Panel Temp Error
007 :	PANLTEMP	Audio Protector
008 :	AUD_PROT	Not Used in these models
009 :	FAN_ERR	
010 :	DTT_ERR	
011 :	====	====
013 :	BALANCER	Panel Error
101 :	DTT_WDT	WDT- Watch Dog Timers
102 :	TVM_WDT	(Watch Dog Timers
103 :	BEM_WDT	are used to track
		micro processors,
		not to record errors.)
00279-00053-0000		Boot count and operation time
	↑ Boot count (max 65535)	
	↑ Panel Hours (max 65535)	
	↑ Operating Hours (max 65535)	

Information Indicator displays time of last 3 events (Not used in FIX2 models)

0 indicates no error was detected
1 indicates an error was detected

Resetting the Diagnostic Indicators

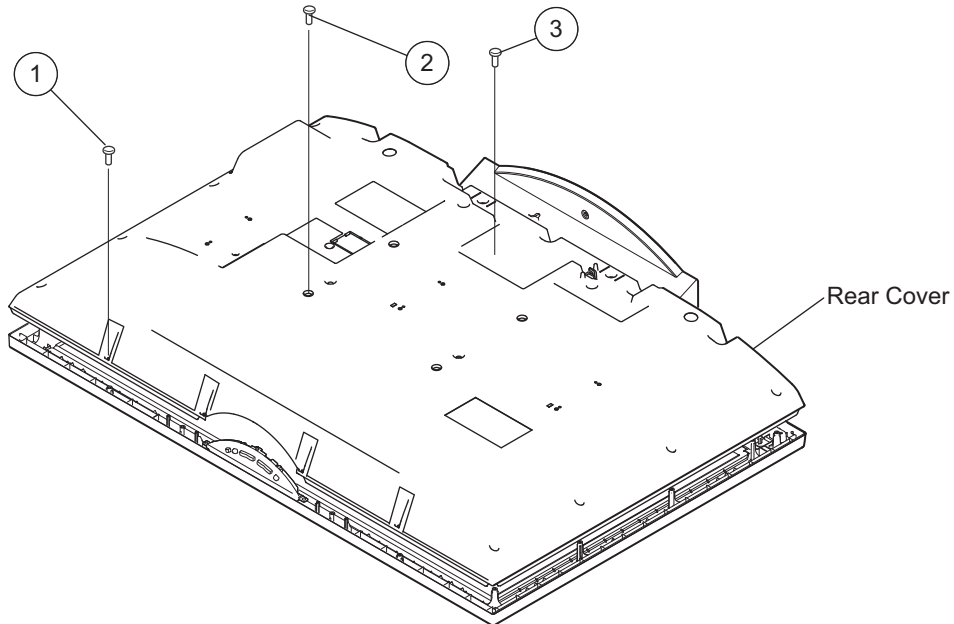
After completing the repair of the set, reset the Self Check screen to set all the display results to "00".

1. TV must be in standby mode. (Power off).
2. Press DISPLAY → Channel 5 → Volume → TV POWER.
3. Press Channel 8, then press Channel 0. To exit press TV POWER.

SECTION 1: DISASSEMBLY

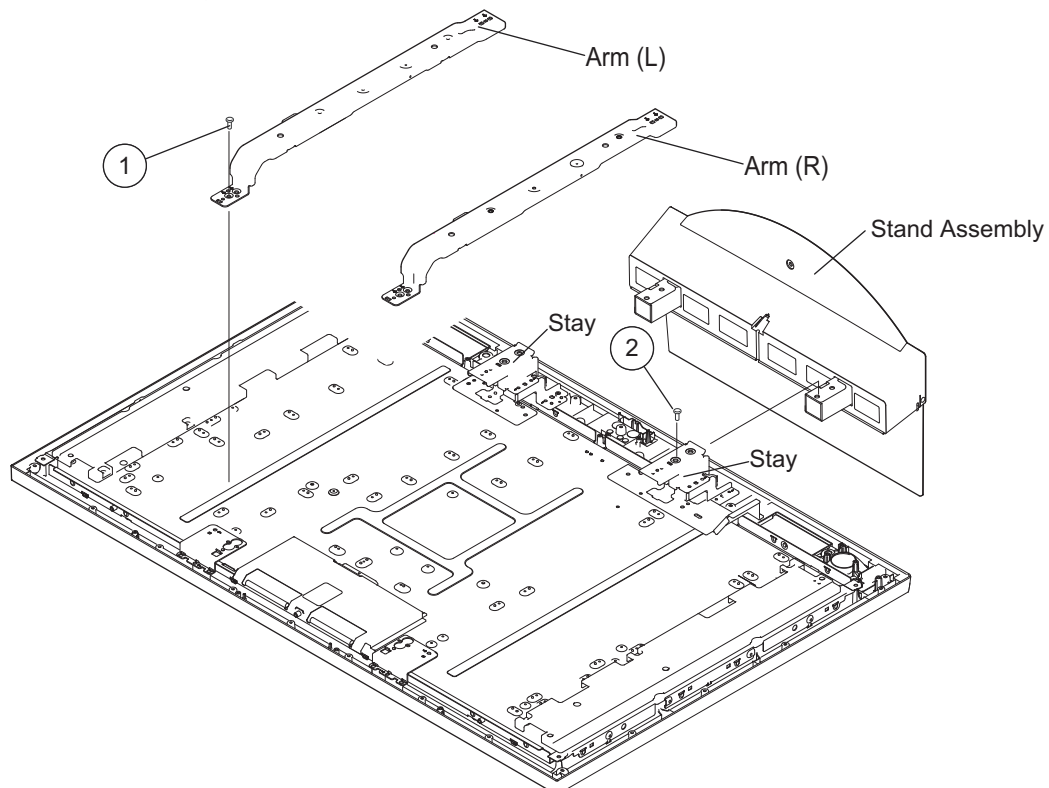
1-1. REAR COVER REMOVAL

- ① From Rear Cover, remove 15 screws (KDL-40VL130 Only),
19 screws (ALL EXCEPT KDL-40VL130), +BVTP2 4X16
- ② Remove 2 screws from Rear Cover arm positions, +PSW M5X12
- ③ Remove 2 screws from Terminals, +BVTP 3X12 TYPE2 IT-3



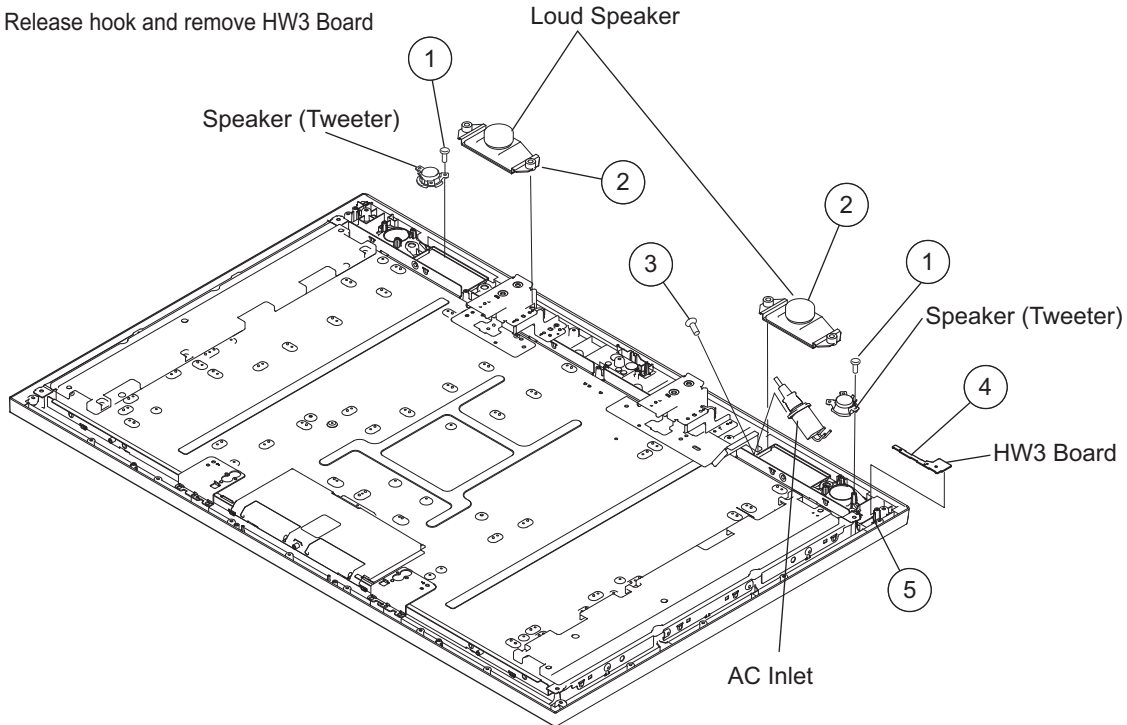
1-2. ARM (BRACKET) AND STAND REMOVAL

- ① Remove 4 screws (KDL-40VL130 Only),
8 screws (ALL EXCEPT KDL-40VL130) from Arms (Brackets), +PSW M5X8
- ② Remove 4 screws from Stays and Stand, +PSW M5X12



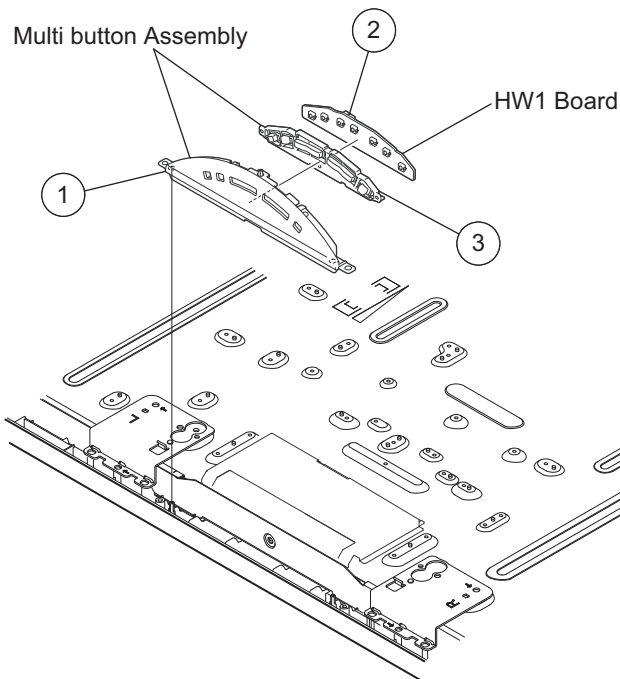
1-3. SPEAKERS, HW3 BOARD, AND AC INLET REMOVAL

- ① Remove 6 screws, +BVTP2 4X16 (ALL EXCEPT KDL-40VL130)
- ② Slide out Loudspeakers from Bezel
- ③ Remove 2 screws, +KTT 3X10
- ④ Disconnect one connector from HW3 Board
- ⑤ Release hook and remove HW3 Board



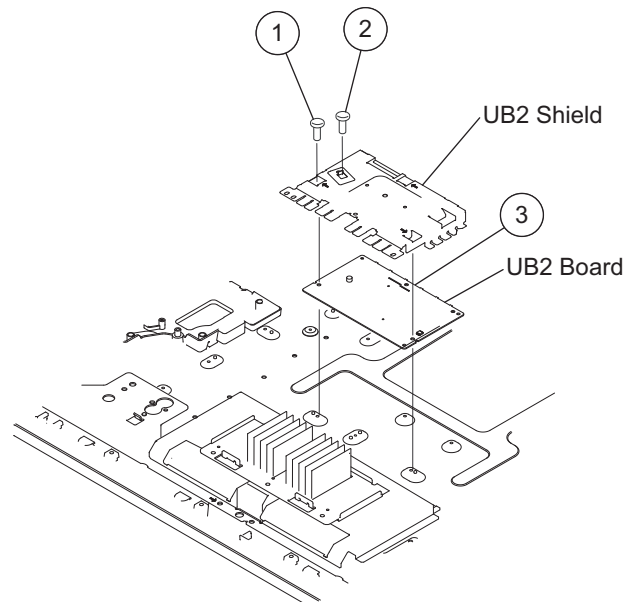
1-4. HW1 BOARD REMOVAL

- ① Remove from bezel
- ② Disconnect one connector
- ③ Release hooks and remove HW1 Board



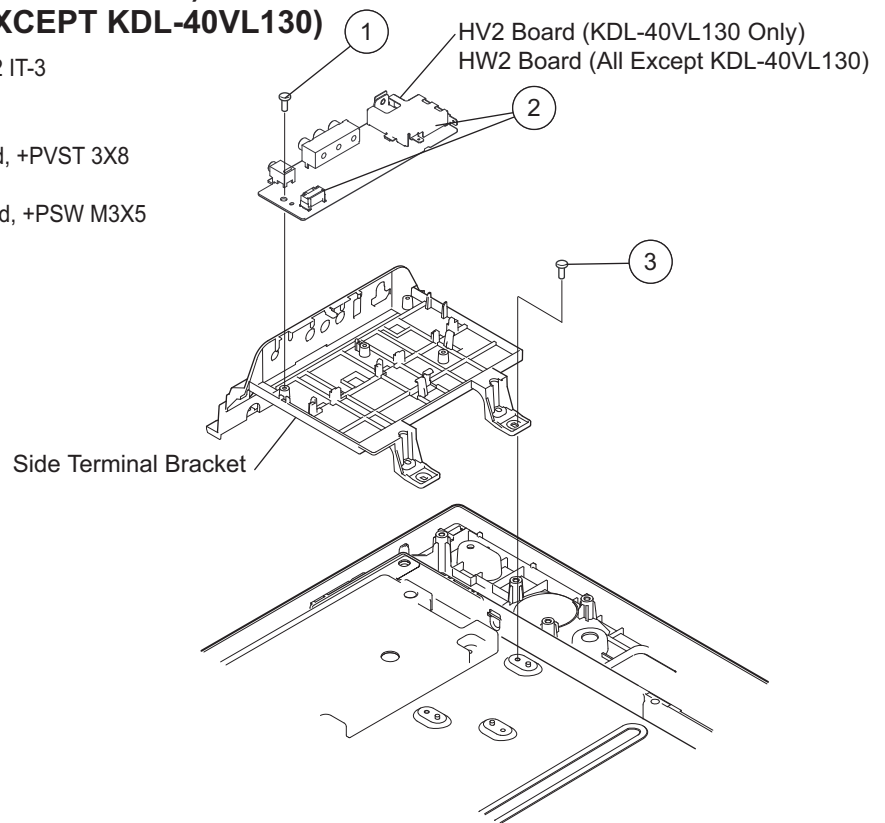
1-5. UB2 BOARD REMOVAL (KDL-52WL135 ONLY)

- ① Remove 4 screws, +PSW 3X8
- ② Remove one screw, +PSW 3X8
- ③ Disconnect 2 connectors.



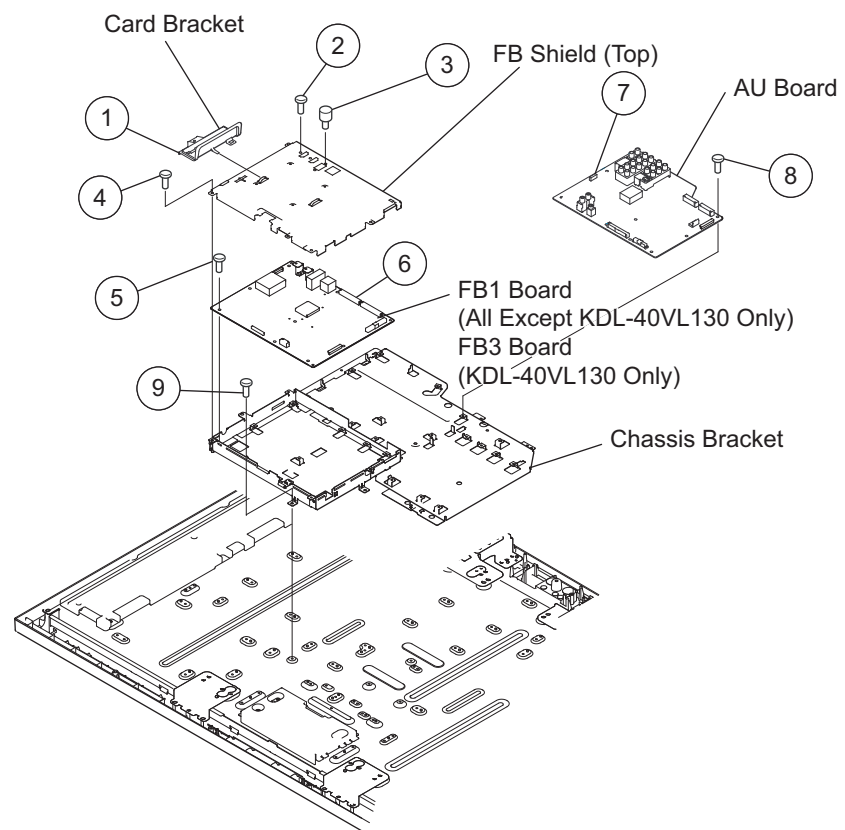
1-6. HV2 BOARD REMOVAL (KDL-40VL130 ONLY) OR HW2 BOARD REMOVAL (ALL EXCEPT KDL-40VL130)

- ① Remove three screws, +BVTP 3X12 TYPE2 IT-3
- ② Disconnect two connectors
- ③ Remove 2 screws to remove the HV2 Board, +PVST 3X8 (KDL-40VL130 Only)
Remove 2 screws to remove the HW2 Board, +PSW M3X5 (All Except KDL-40VL130)



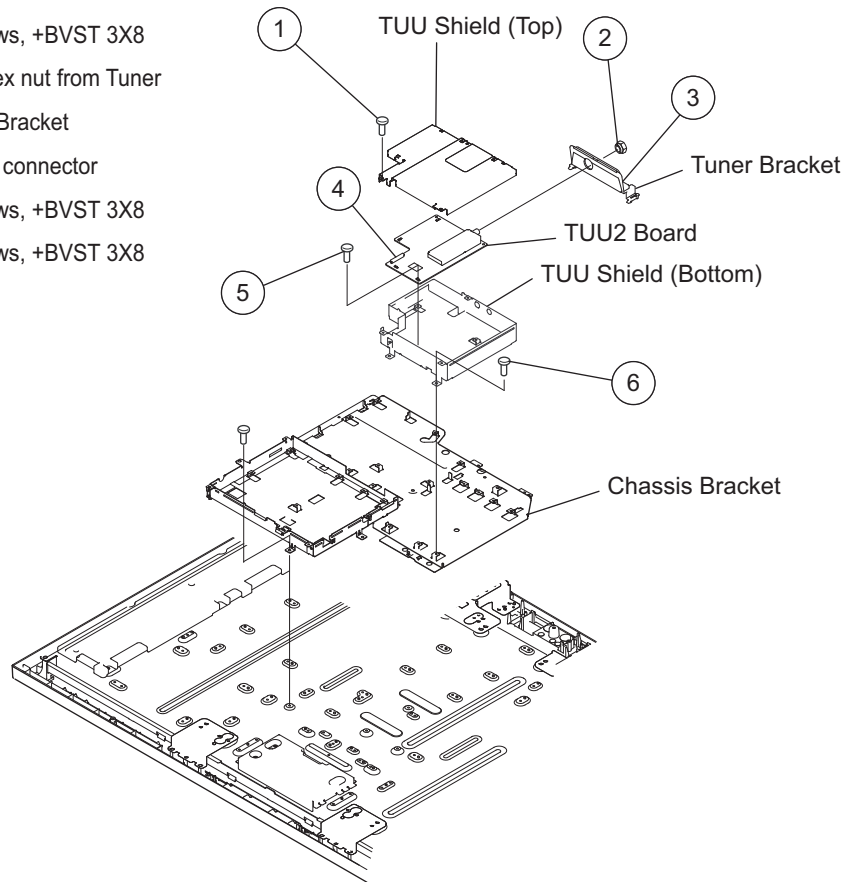
1-7. AU BOARD AND FB1 BOARD (ALL EXCEPT KDL-40VL130) OR FB3 BOARD (KDL-40VL130 ONLY) REMOVAL

- ① Slide out Card Bracket
- ② Remove 2 screws, +PSW M3X5
- ③ Remove 2 HEX screws
- ④ Remove 4 screws, +BVST 3X8
- ⑤ Remove 7 screws, +BVST 3X8
- ⑥ Disconnect 7 connectors
- ⑦ Disconnect 7 connectors
- ⑧ Remove 9 screws, +BVST 3X8
- ⑨ Remove 8 screws, +PSW M3X5



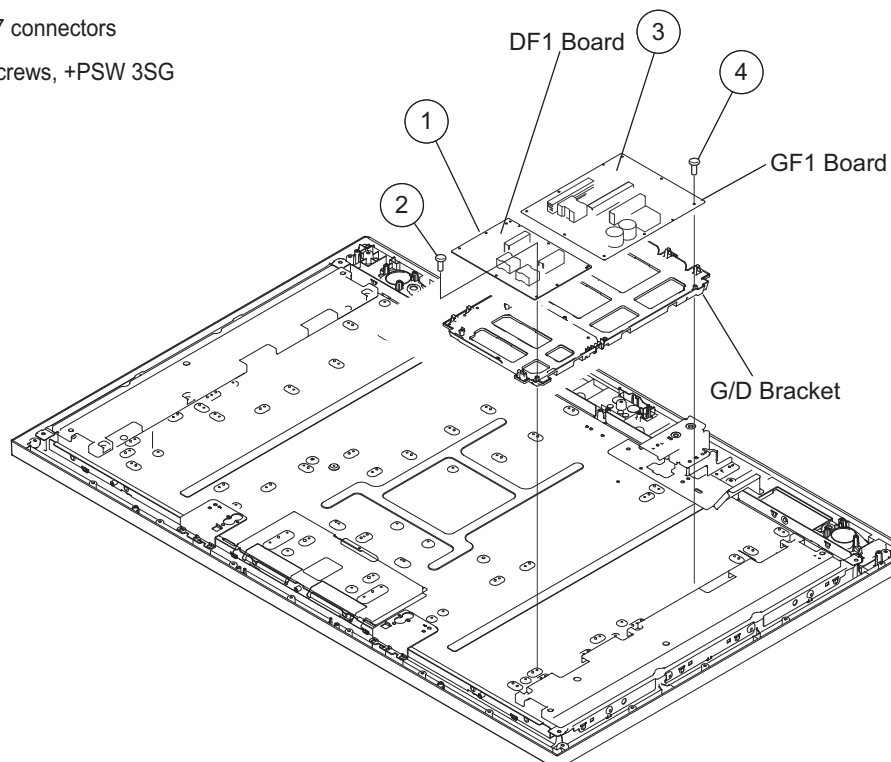
1-8. TUU2 BOARD REMOVAL

- ① Remove 2 screws, +BVST 3X8
- ② Remove one Hex nut from Tuner
- ③ Remove Tuner Bracket
- ④ Disconnect one connector
- ⑤ Remove 5 screws, +BVST 3X8
- ⑥ Remove 4 screws, +BVST 3X8



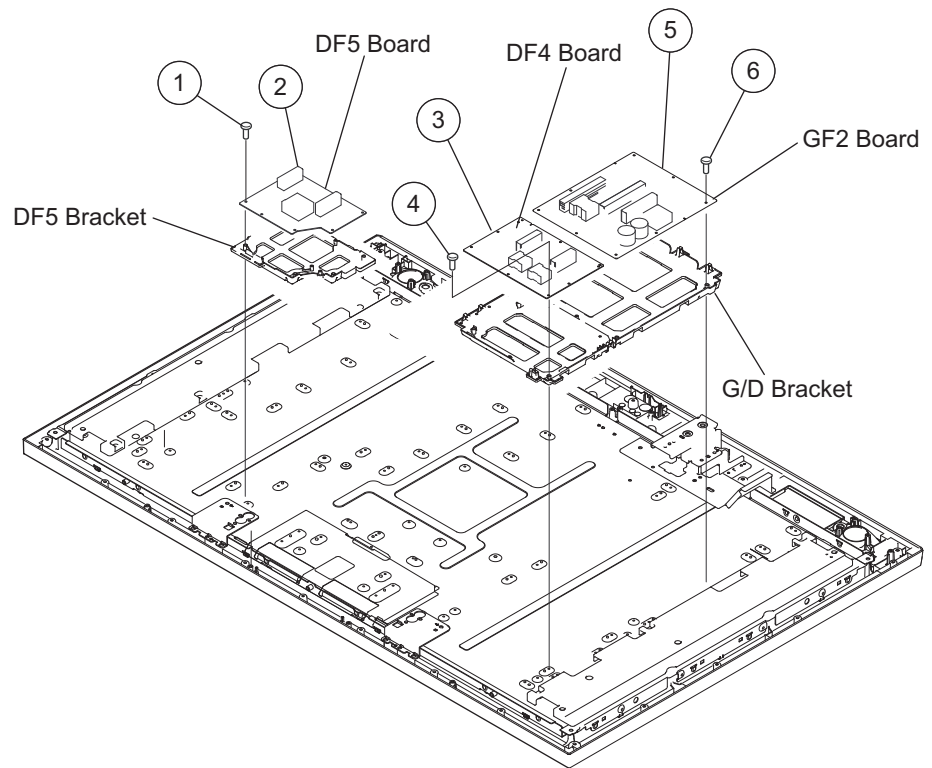
1-9. DF1 BOARD AND GF1 BOARD REMOVAL (KDL-40VL130 ONLY)

- ① Disconnect 4 connectors
- ② Remove 4 screws, +PSW 3SG
- ③ Disconnect 7 connectors
- ④ Remove 4 screws, +PSW 3SG



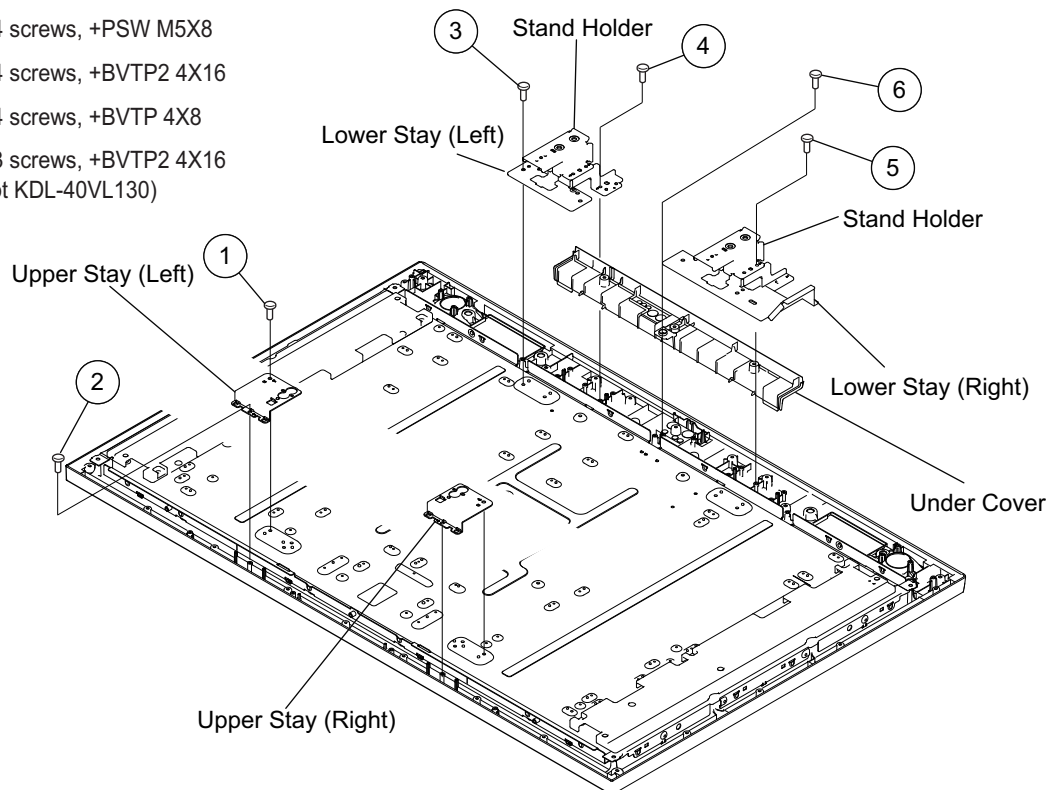
1-10. DF4 BOARD, DF5 BOARD, AND GF2 BOARD REMOVAL (ALL EXCEPT KDL-40VL130)

- ① Remove 5 screws, +PSW 3SG
- ② Disconnect 3 connectors
- ③ Disconnect 4 connectors
- ④ Remove 4 screws, +PSW 3SG
- ⑤ Disconnect 7 connectors
- ⑥ Remove 4 screws, +PSW 3SG



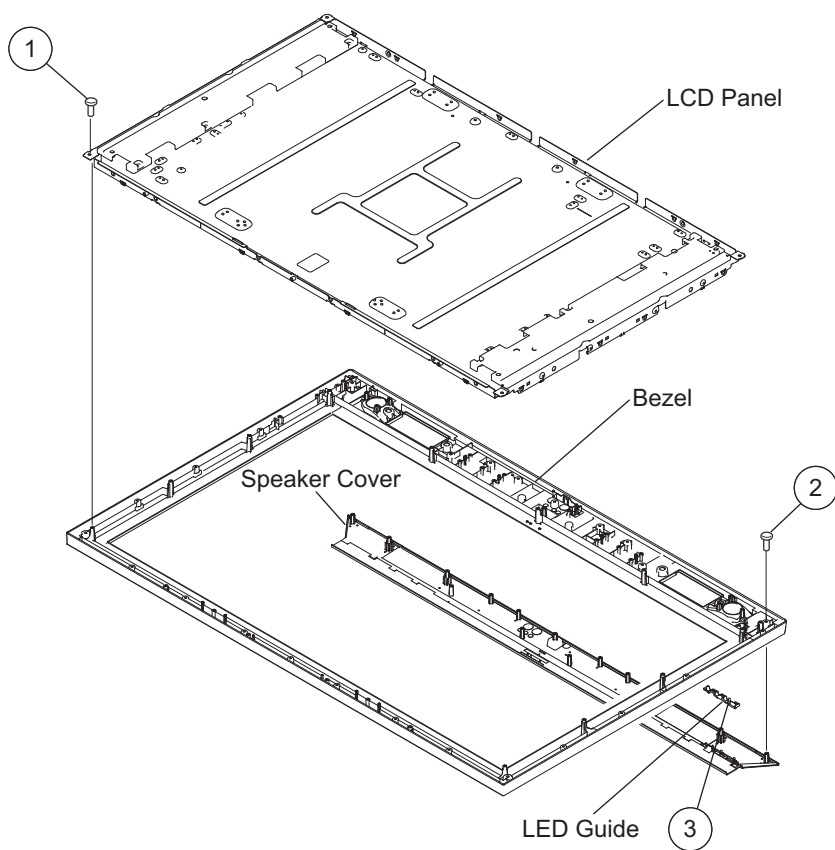
1-11. STAY REMOVAL

- ① Remove 2 screws, +PSW M5X8
- ② Remove 2 screws, +BVTP2 4X16
- ③ Remove 4 screws, +PSW M5X8
- ④ Remove 4 screws, +BVTP2 4X16
- ⑤ Remove 4 screws, +BVTP 4X8
- ⑥ Remove 3 screws, +BVTP2 4X16
(All Except KDL-40VL130)



1-12. LCD PANEL REMOVAL

- ① Remove 1 screws, +BVTP2 4X16
- ② Remove 4 screws, +BVTP2 4X16
- ③ Pop off from Speaker Cover

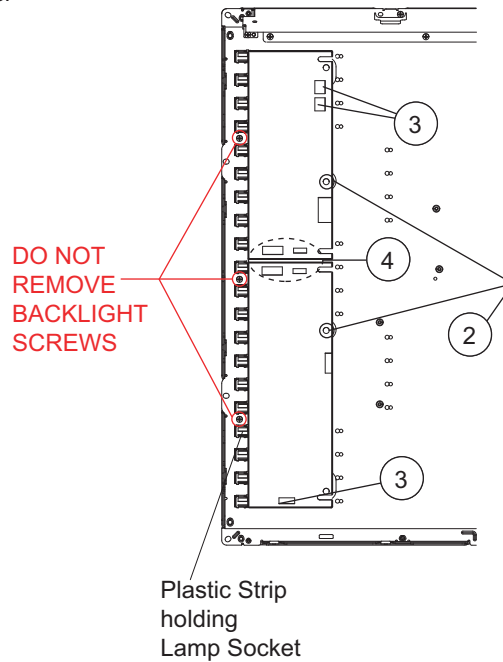
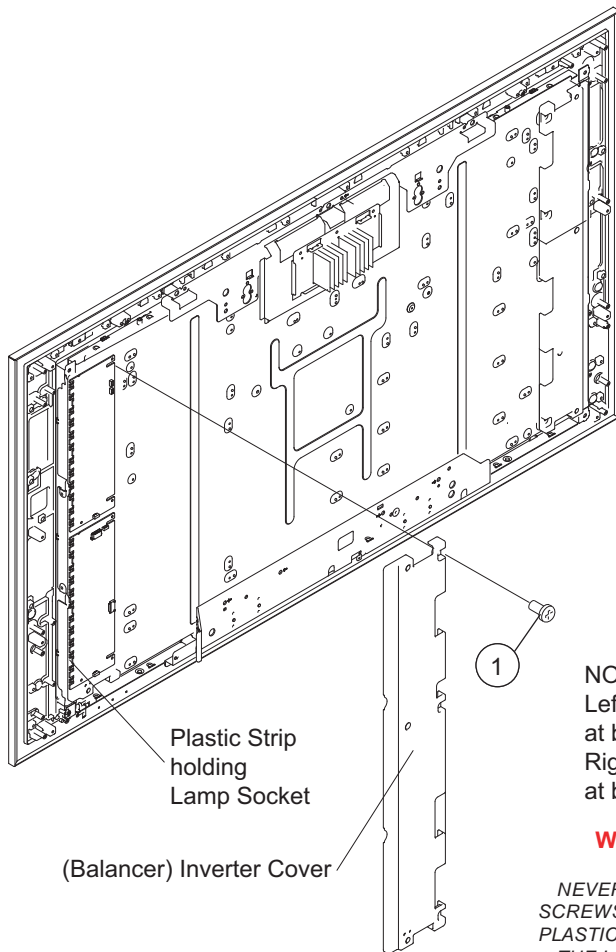


1-13. (BALANCER BOARDS) ETC-INVERTER MT BOARD REMOVAL

CAUTION:

Be sure to identify the inverter cover screws before proceeding. **DO NOT** remove the screws securing the plastic strip holding the lamp sockets.

- ① Remove screws securing the (Balancer) Inverter Cover.
- ② Remove screws securing the inverter board
- ③ Disconnect the connectors from the (Balancer) Inverter board you are removing.
- ④ For 52" models only, to remove the lower board, disconnect 1 connector. to remove the upper board, disconnect 2 connectors.

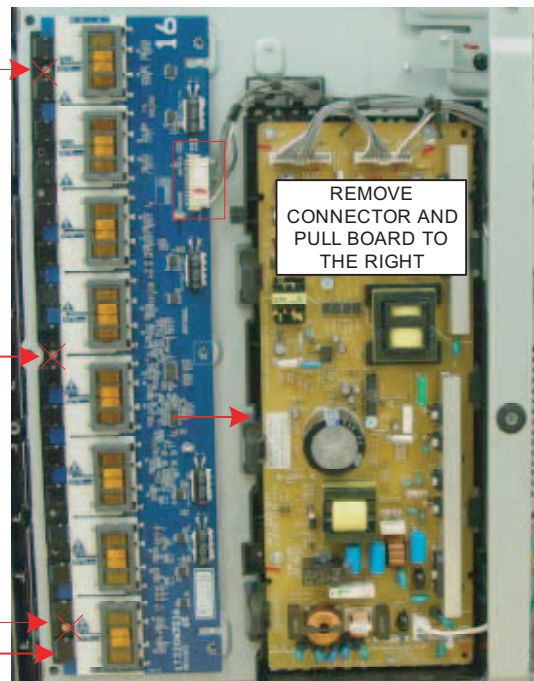
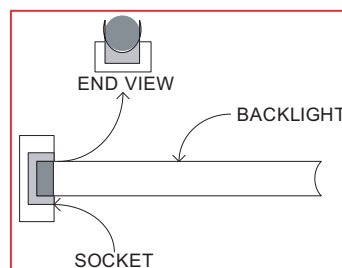


NOTE: For the 52" models, the connector that attaches the Left Upper (Balancer) Inverter board to the DF5 board has a strip of white tape at both ends of the connector. The connector that attaches the Right Upper (Balancer) Inverter board to the DF4 board has a strip of red tape at both ends of the connector.

WARNING!

NEVER REMOVE THE SCREWS SECURING THE PLASTIC STRIP HOLDING THE LAMP SOCKETS. DAMAGE TO THE BACKLIGHT TUBES WILL OCCUR!

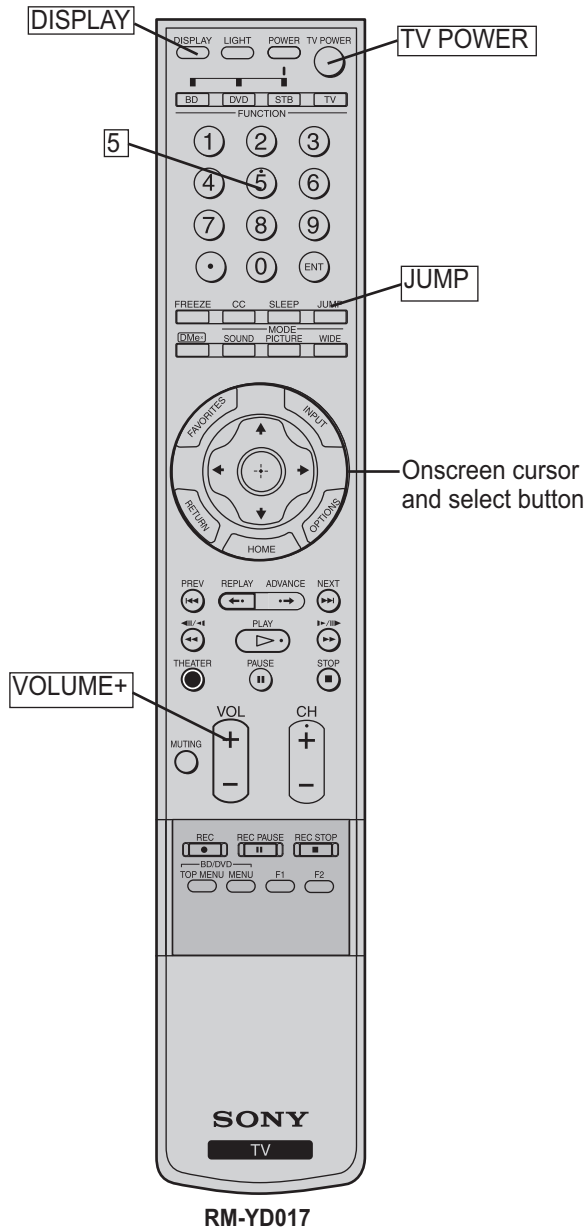
INVERTER BOARD REMOVAL
Only remove the screws securing the inverter cover which may be metal or plastic. The remaining plastic strip contains sockets for the fluorescent backlights and should never be loosened. The backlights will pop out of the sockets and/or break the backlight requiring a LCD panel replacement. The example shown is a 32" model but applies to all models.



SECTION 2: SERVICE ADJUSTMENTS

2-1. REMOTE ADJUSTMENT BUTTONS AND INDICATORS

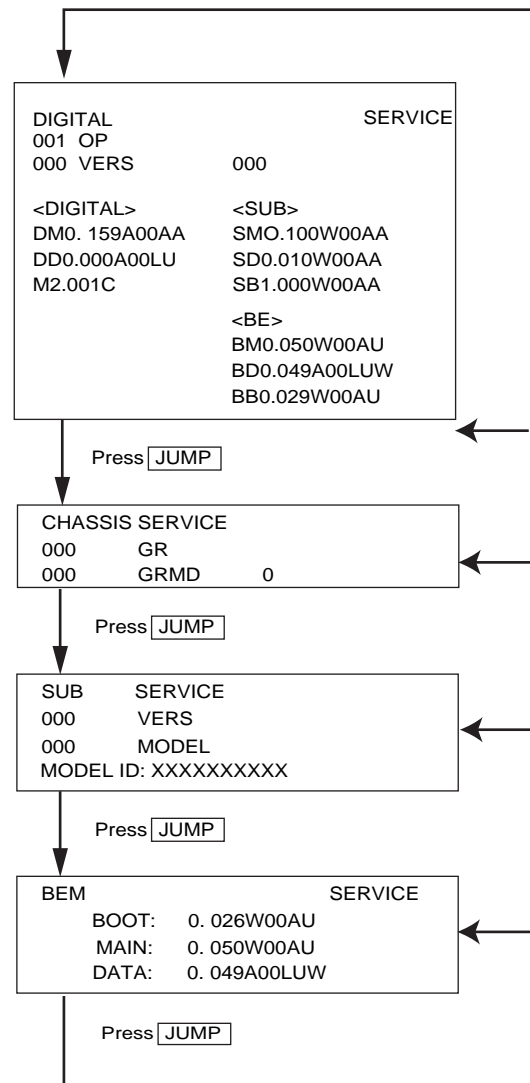
NOTE: RM-YD014 is for KDL-40VL130 & KDL-52WL135 Only, and RM-YD017 is for KDL-52W3000 & KDL-52WL130 Only. Since the buttons on the remote controls are in the same area, RM-YD017 is used below to indicate their location.



2-2. ACCESSING SERVICE ADJUSTMENTS

To adjust various set features, use the Remote Commander to put the set into service mode to display the service menus.

1. TV must be in standby mode. (Power off).
2. Press the following buttons on the Remote Commander within a second of each other:
DISPLAY → Channel 5 → Volume + → TV POWER.
 The first service menu (TV) displays.
3. To display the service menu that contains the category you want to adjust, press JUMP on the Remote Commander.



The screen displays the first category in the selected service menu.

4. To change the **category**, press **2** or **5** on the Remote Commander.

Note: Pressing **2** or **5** only changes the categories within the service menu displayed.

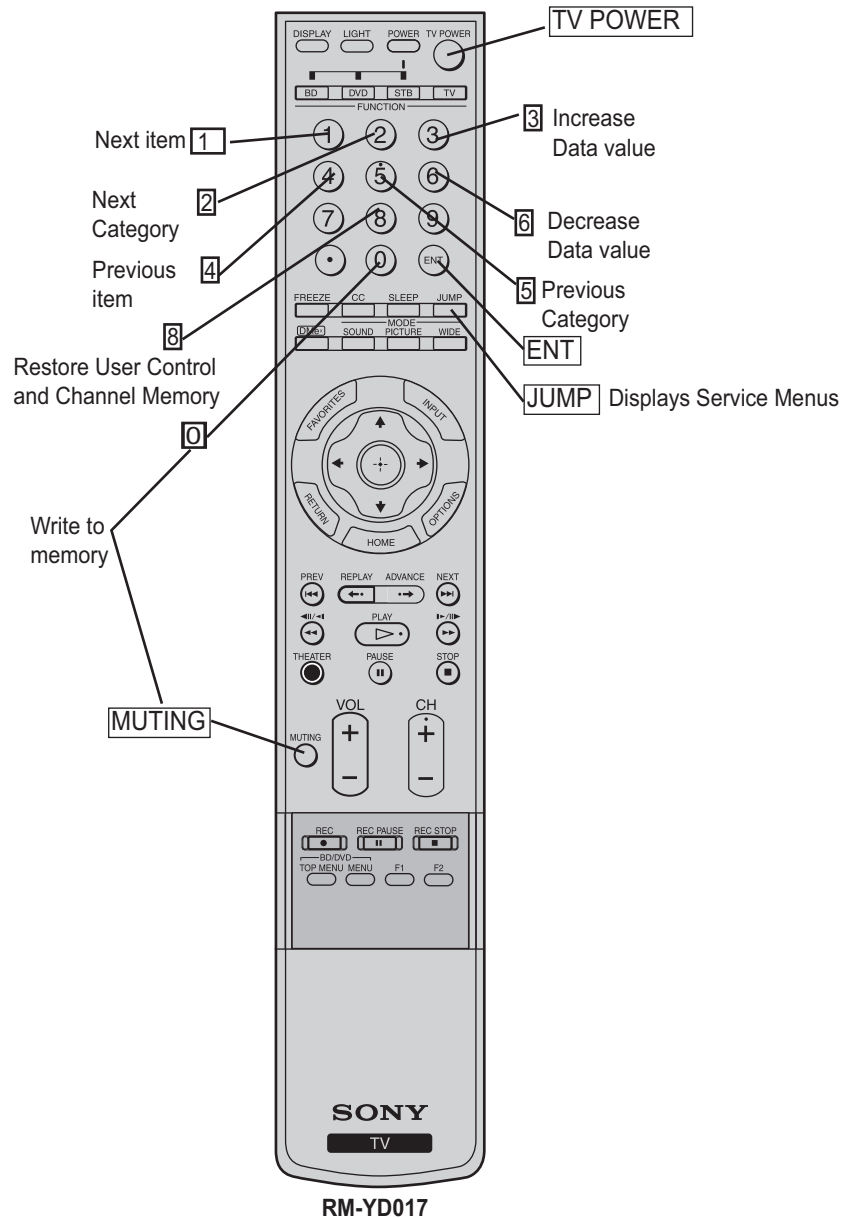
To change a category on one of the other service menus, press the **JUMP** button until the correct service menu is displayed.

5. To change the **adjustment item**, press **1** or **4** on the Remote Commander.

6. To change the **data value**, press **3** or **6** on the Remote Commander.

7. To write into memory, press **MUTING** then **0** on the Remote Commander.

8. To exit service mode, turn the power off.



2-3. UPDATING MODEL INFORMATION AFTER REPLACING THE FB1 BOARD OR FB3 BOARD

Complete the following steps to reset the model information to the correct size after replacing the FB1 Board or FB3 Board.

1. Access the Service Menu by pressing the following buttons on the Remote Commander within a second:

DISPLAY → **Channel 5** → **Volume +** → **TV POWER**.

The service menu displays.

2. Press the **JUMP** button until the BEM micro service menu displays.

BEM	SERVICE
BOOT:	0. 026W00AU
MAIN:	0. 050W00AU
DATA:	0. 049A00LUW

3. Press **2** until the 0001 MODEL_INFO category displays.

BEM	SERVICE
0001 MODEL_INFO	
0001 PANEL_SIZE	0
DIFF	1

Update according to panel size

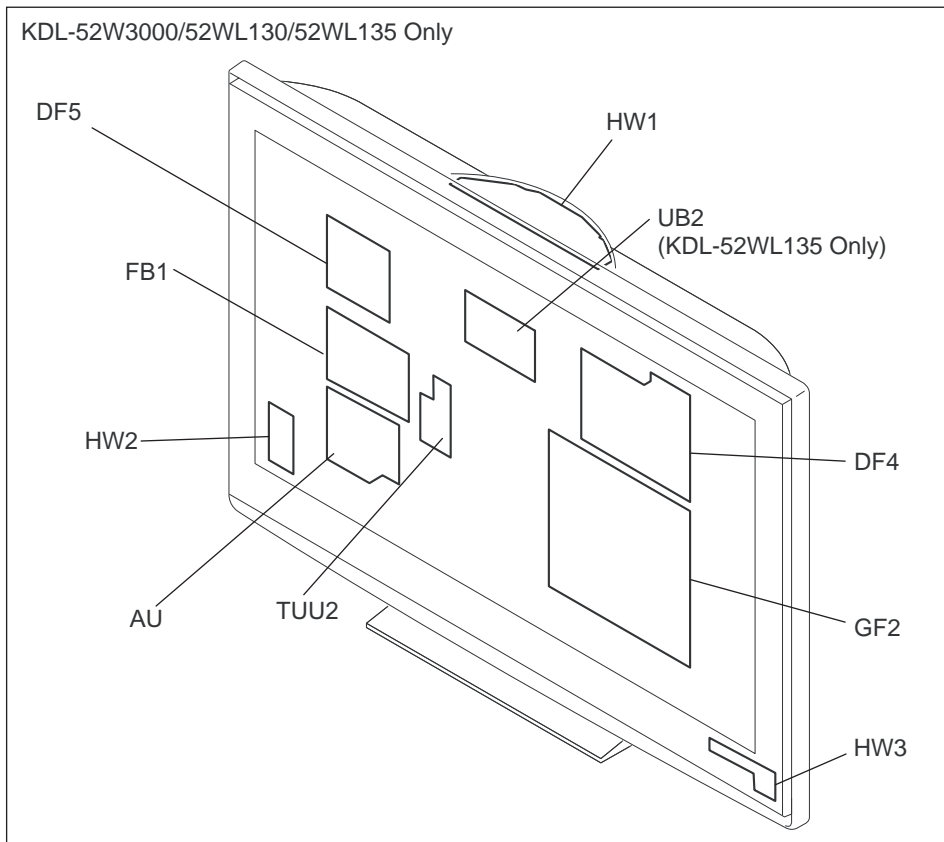
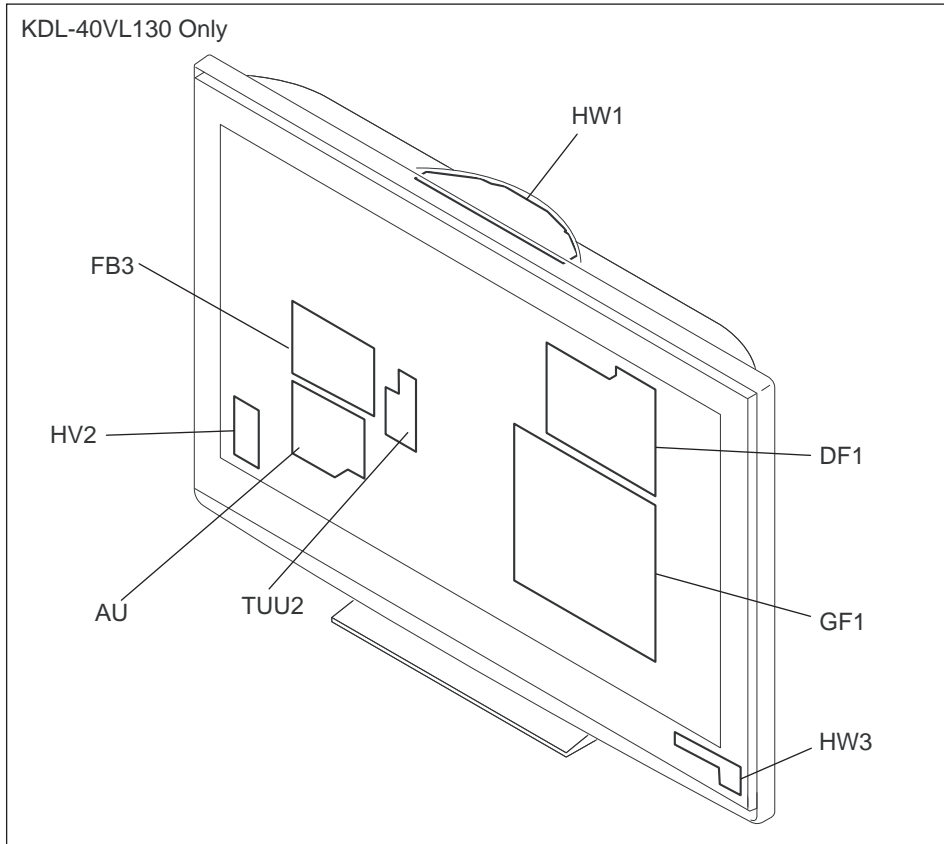
4. Do one of the following:

If the model size is 40"	Verify the value is set to 0 .
If the model size is 52"	Press 3 until the value increases to 2 .

5. To write to memory, press **MUTING** then **0** on the Remote Commander.
8. To exit service mode, turn the power off.

SECTION 3: DIAGRAMS

3-1. CIRCUIT BOARDS LOCATION



3-2. PRINTED WIRING BOARDS AND SCHEMATIC DIAGRAMS INFORMATION

All capacitors are in μF unless otherwise noted. $\text{pF} : \mu\text{F} \ 50\text{WV}$ or less are not indicated except for electrolytics and tantalums.

All electrolytics are in 50V unless otherwise specified.

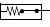
All resistors are in ohms. $\text{k}\Omega=1000\Omega$, $\text{M}\Omega=1000\text{k}\Omega$

Indication of resistance, which does not have one for rating electrical power, is as follows: Pitch : 5mm

Rating electrical power : $\frac{1}{4} \text{W}$

$\frac{1}{4} \text{W}$ in resistance, $\frac{1}{10} \text{W}$ and $\frac{1}{16} \text{W}$ in chip resistance.

 : nonflammable resistor

 : fusible resistor

\triangle : internal component

 : panel designation and adjustment for repair

\perp : earth ground

 : earth-chassis

All variable and adjustable resistors have characteristic curve B, unless otherwise noted.

Readings are taken with a color-bar signal input.

Readings are taken with a $10\text{M}\Omega$ digital multimeter.

Voltages are DC with respect to ground unless otherwise noted.

Voltage variations may be noted due to normal production tolerances.

All voltages are in V.

S : Measurement impossibility.


 : B+line.

 : B-line. (Actual measured value may be different).


 : signal path. (RF)


Circled numbers are waveform references.

The components identified by shading and \triangle symbol are critical for safety. Replace only with part number specified.

The symbol  indicates a fast operating fuse and is displayed on the component side of the board. Replace only with fuse of the same rating as marked.


Les composants identifiés par un trame et une marque \triangle sont critiques pour la securite. Ne les remplacer que par une piece portant le numero specifique.

Le symbole  indique une fusible a action rapide. Doit etre remplace par une fusible de meme valeur, comme maque.

NOTE: The components identified by a red outline and a  mark contain confidential information. Specific instructions must be adhered to whenever these components are repaired and/or replaced.
See Appendix A: Encryption Key Components in the back of this manual.

REFERENCE INFORMATION

RESISTOR

- : RN METAL FILM
- : RC SOLID
- : FPRD NONFLAMMABLE CARBON
- : FUSE NONFLAMMABLE FUSIBLE
- : RW NONFLAMMABLE WIREWOUND
- : RS NONFLAMMABLE METAL OXIDE
- : RB NONFLAMMABLE CEMENT
- :  ADJUSTMENT RESISTOR


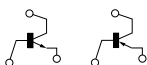

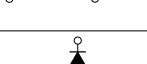
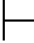
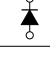

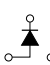



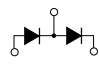

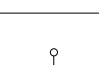

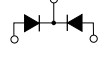
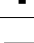
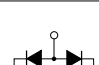

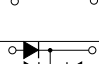


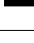
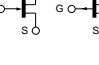

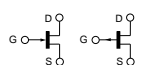

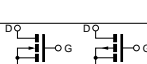

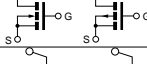

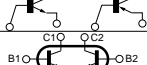

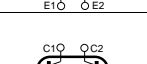

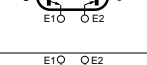

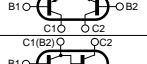

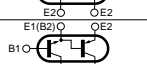

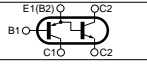
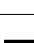
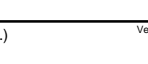


CAPACITOR

- : TA TANTALUM
- : PS STYROL
- : PP POLYPROPYLENE
- : PT MYLAR
- : MPS METALIZED POLYESTER
- : MPP METALIZED POLYPROPYLENE
- : ALB BIPOLAR
- : ALT HIGH TEMPERATURE
- : ALR HIGH RIPPLE

COIL

- : LF-8L MICRO INDUCTOR

Terminal name of semiconductors in silk screen printed circuit (*)

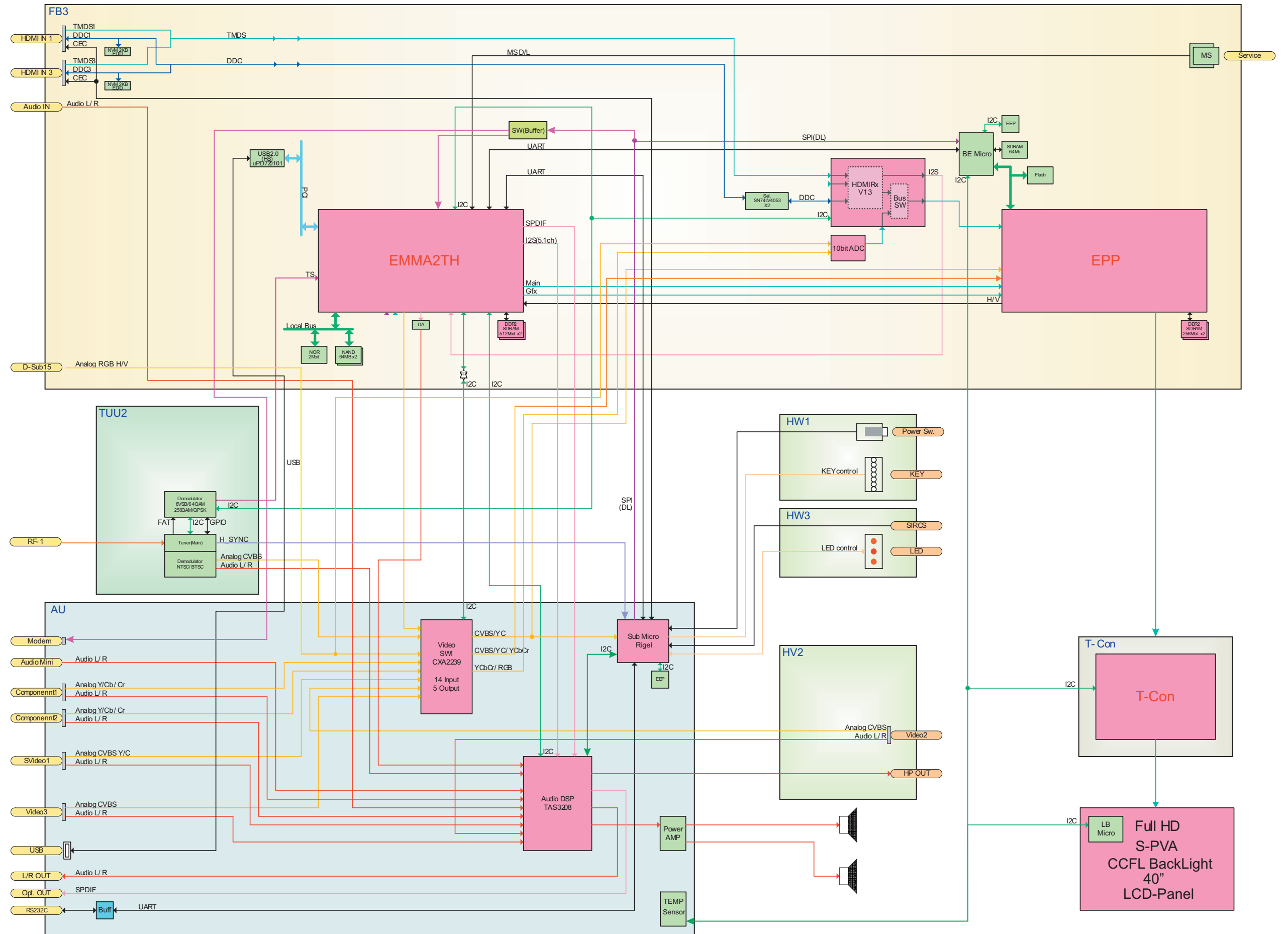
	Device	Printed symbol	Terminal name	Circuit
1	Transistor		Collector Base Emitter	
2	Transistor		Collector Base Emitter	
3	Diode		Cathode Anode	
4	Diode		Cathode Anode (NC)	
5	Diode		Cathode Anode (NC)	
6	Diode		Common Anode Cathode	
7	Diode		Common Anode Cathode	
8	Diode		Common Anode Anode	
9	Diode		Common Anode Anode	
0	Diode		Common Cathode Cathode	
!j	Diode		Common Cathode Cathode	
!TM	Diode		Anode Anode Cathode Anode Anode	
!£	Transistor (FET)		Drain Source Gate	
!ç	Transistor (FET)		Drain Source Gate	
!?	Transistor (FET)		Source Drain Gate	
!§	Transistor		Emitter Collector Base	
!¶	Transistor		C2 B1 E1 E2 B2 C1	
!•	Transistor		C1 B2 E2 E1 B1 C2	
!a	Transistor		C1 B2 E2 E1 B1 C2	
@°	Transistor		C1 B2 E2 E1 B1 C2	
@	Transistor		E2 B1 E1 C2 C1(B2)	
@TM	Transistor		(B2) B1 E1 E2 C1 C2	
@£	Transistor		(B2) E2 E1 B1 C2 C1	
-	Discrete semiconductot			

(Chip semiconductors that are not actually used are included.)

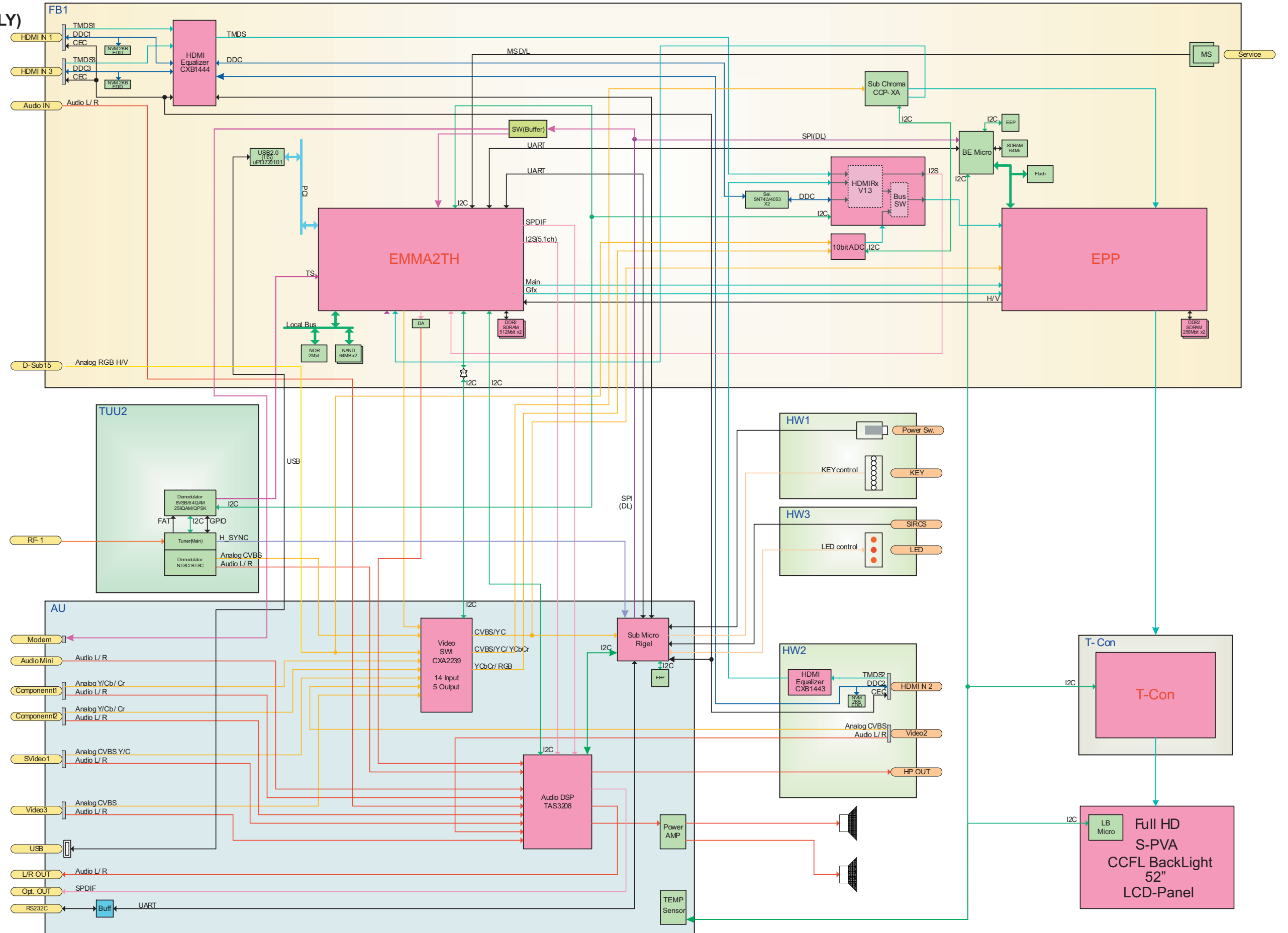
Ver.1.6

3-3. BLOCK DIAGRAM

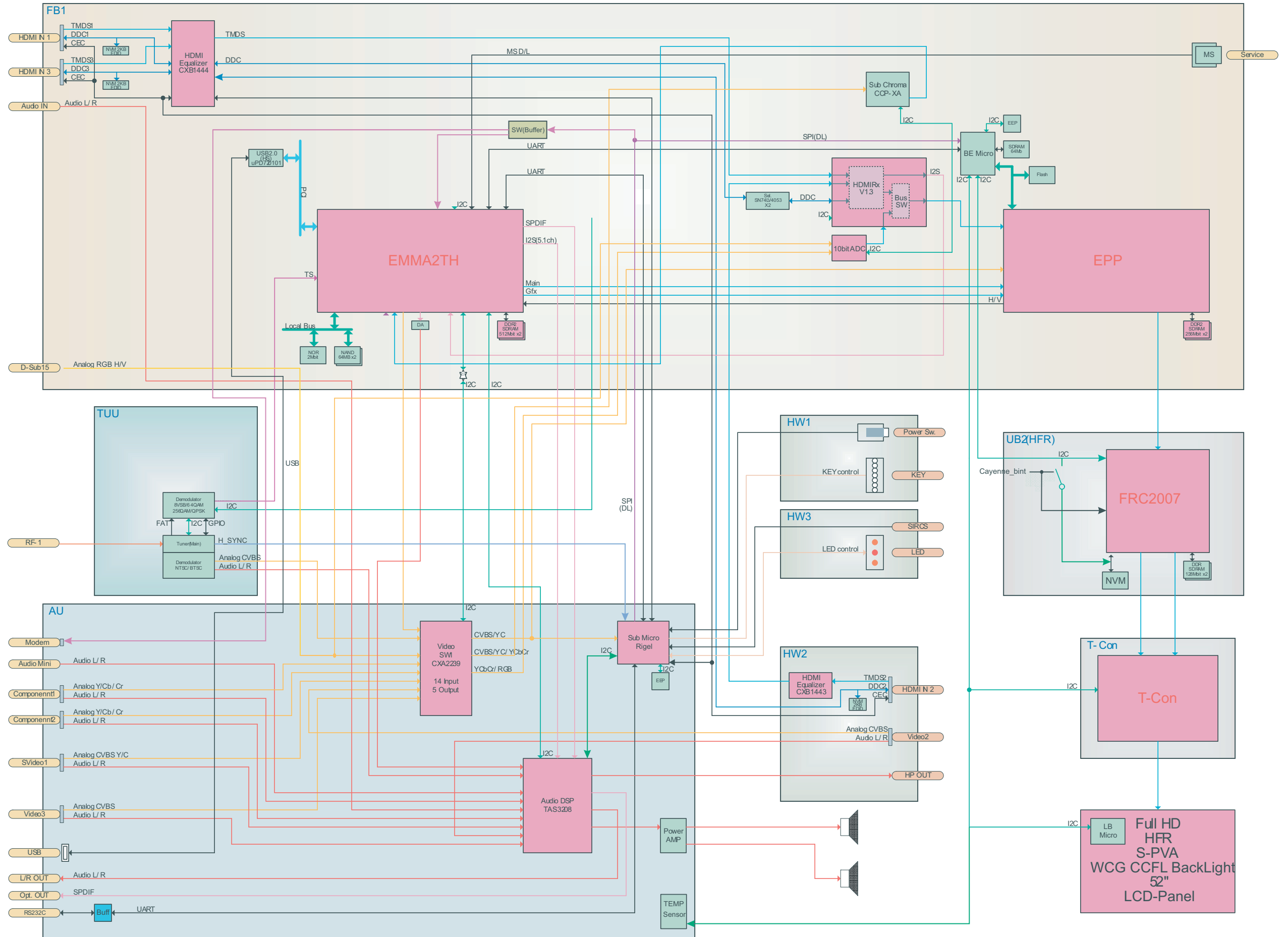
3-3-1. BLOCK DIAGRAM
(KDL-40VL130 ONLY)



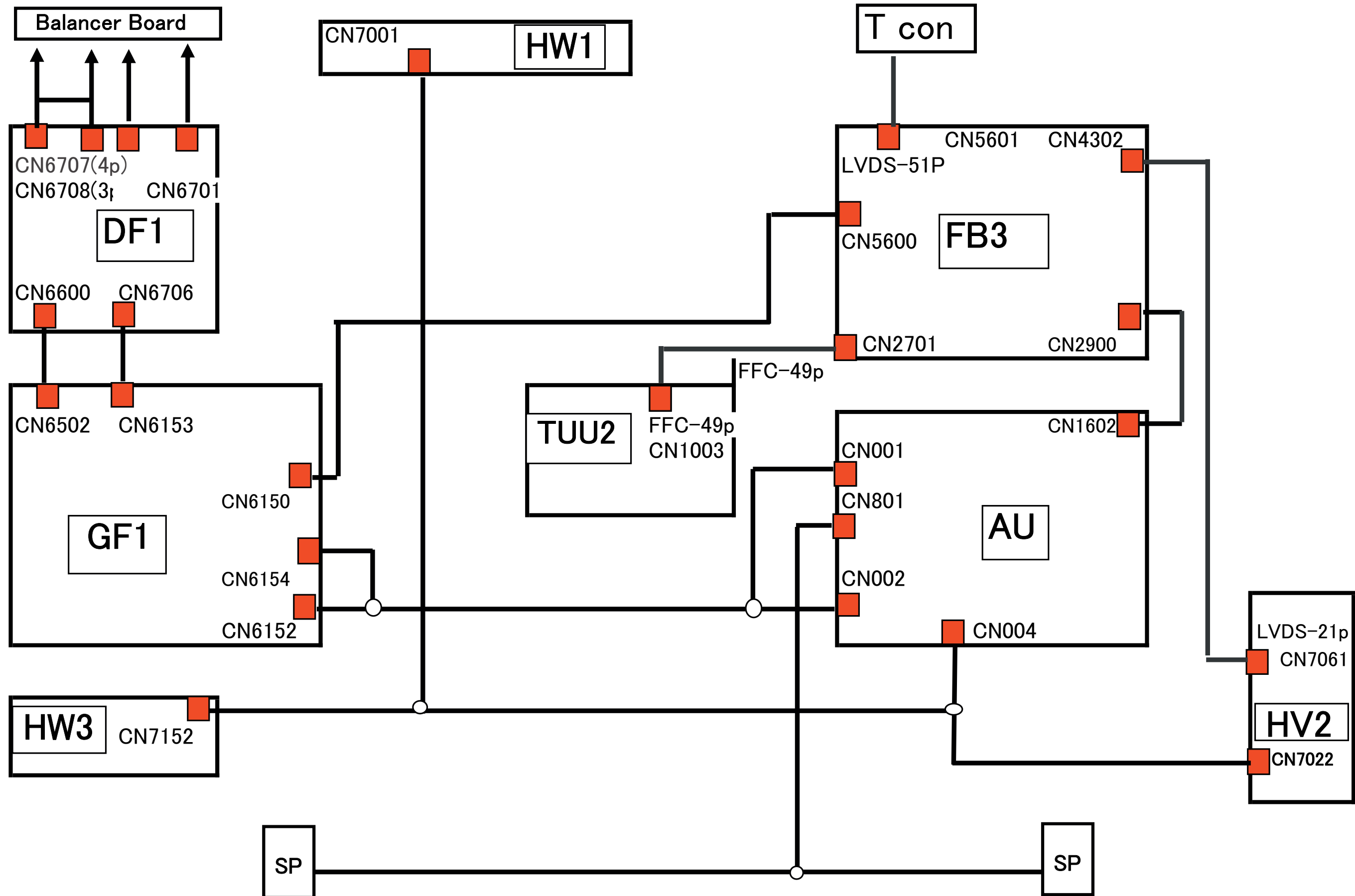
3-3-2. BLOCK DIAGRAM
(KDL-52W3000/52WL130 ONLY)



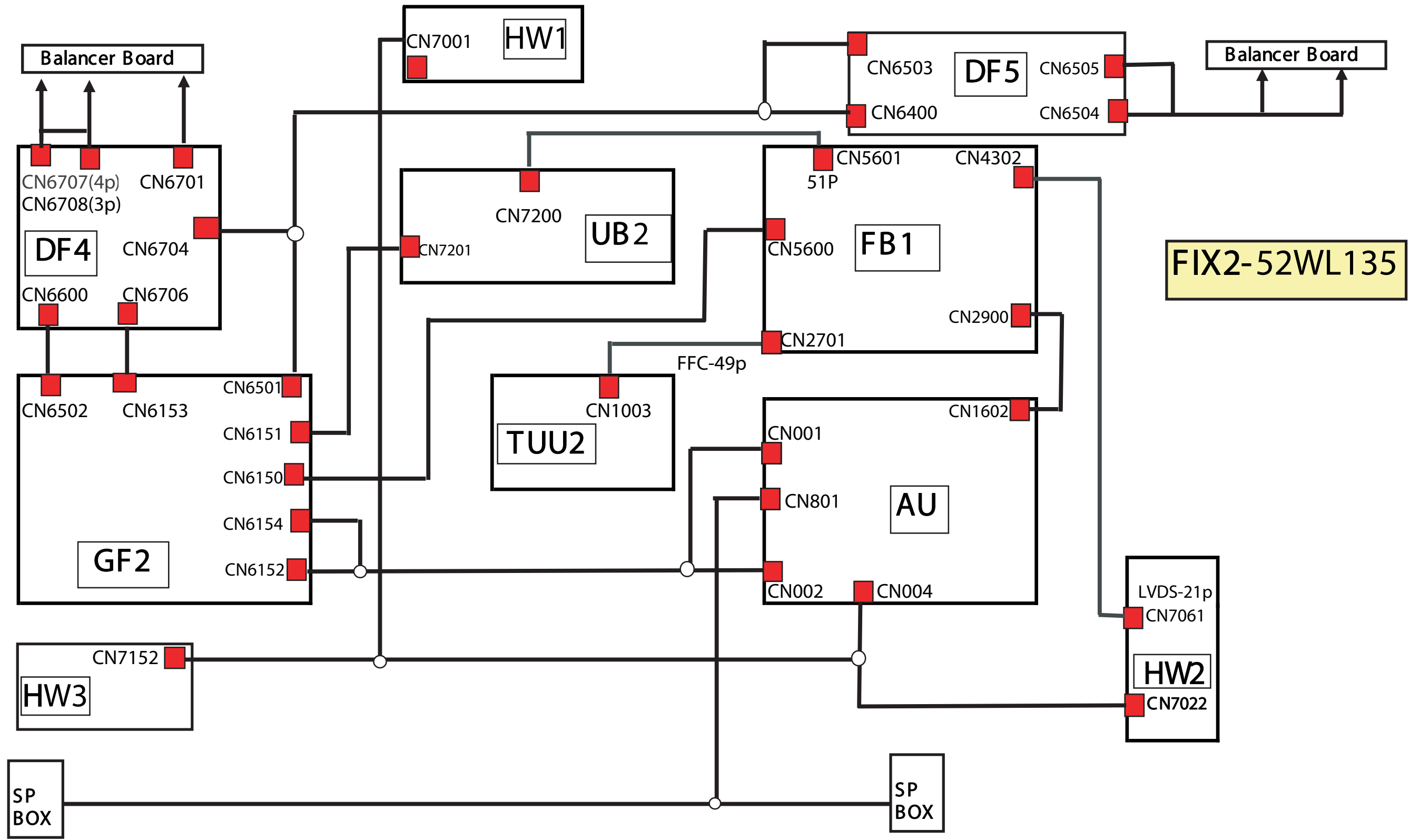
3-3-3. BLOCK DIAGRAM
(KDL-52WL135 ONLY)



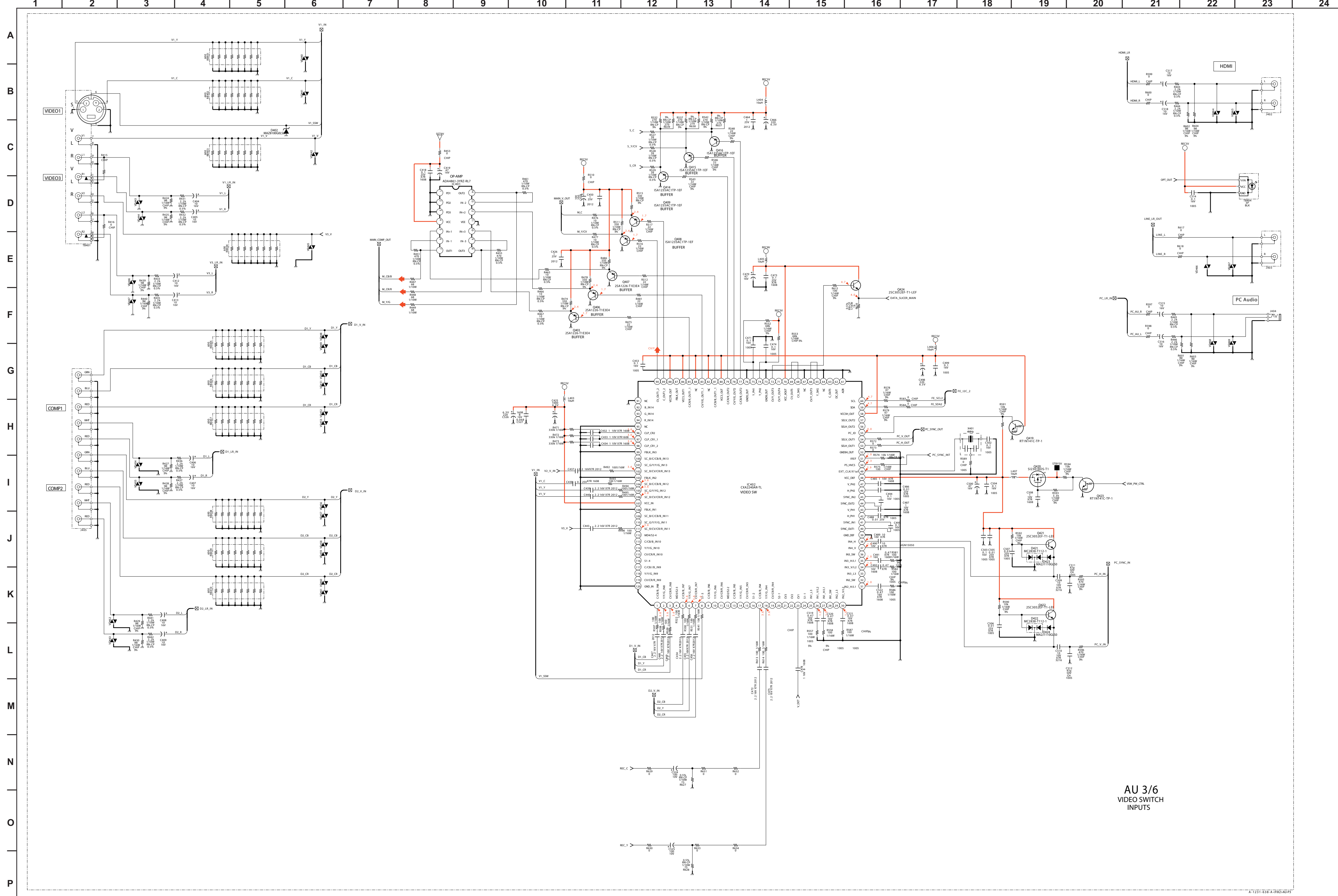
3-3-4. CONNECTOR DIAGRAM (KDL-40VL130 ONLY)



3-3-6. CONNECTOR DIAGRAM (KDL-52WL135 ONLY)

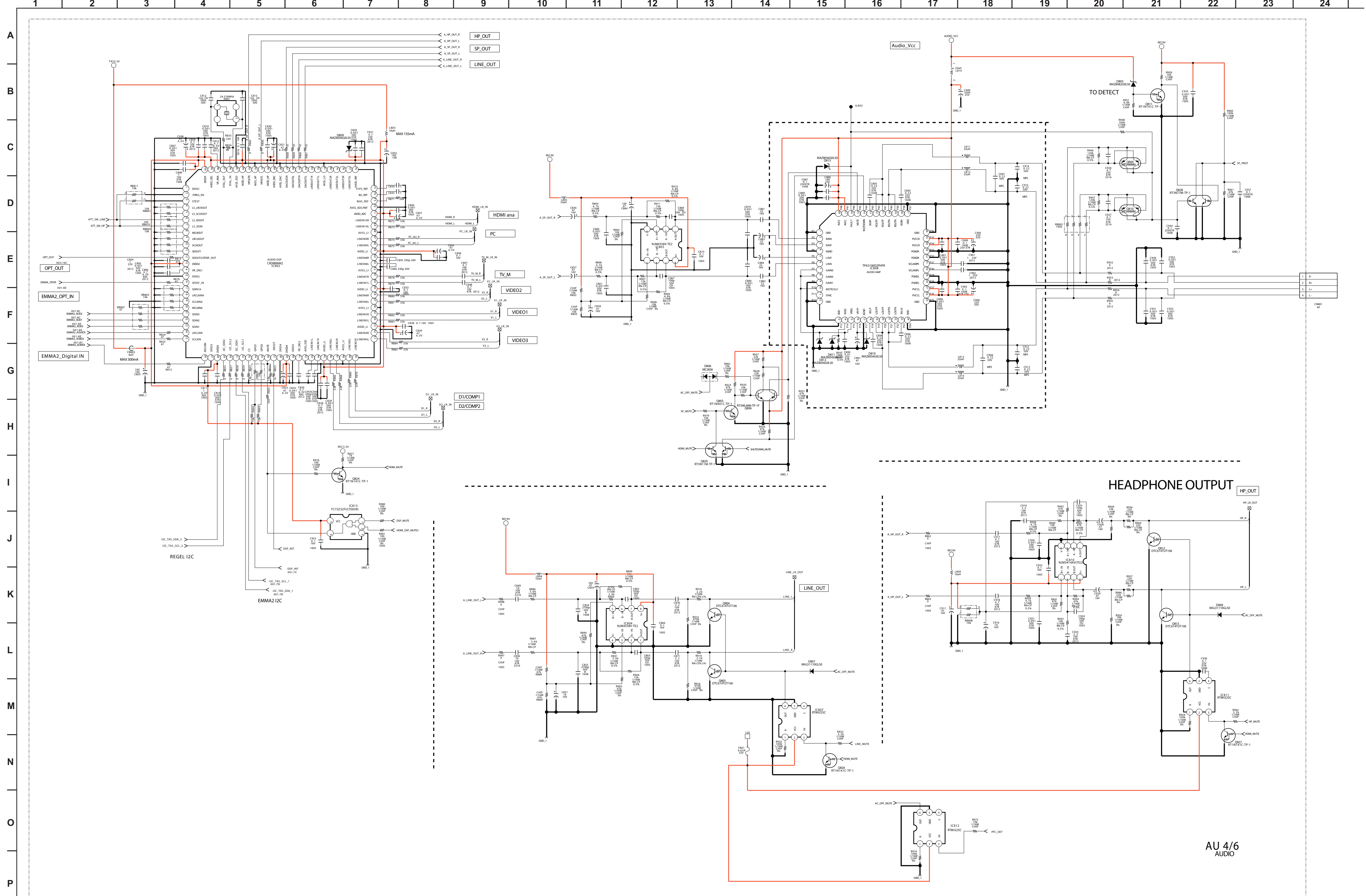


AU BOARD SCHEMATIC DIAGRAM (3 OF 6)



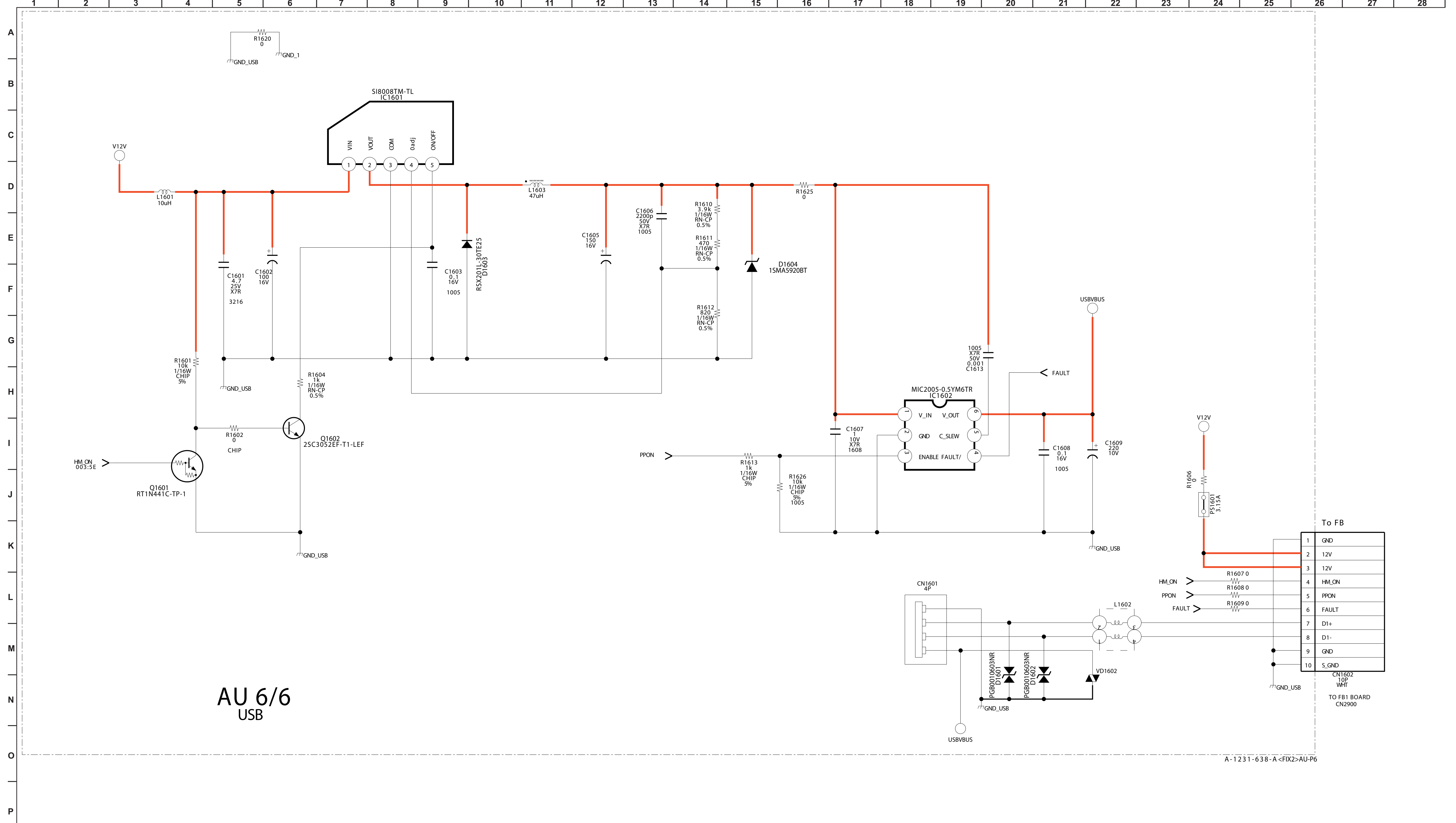
AU 3/6
VIDEO SWITCH
INPUTS

AU BOARD SCHEMATIC DIAGRAM (4 OF 6)



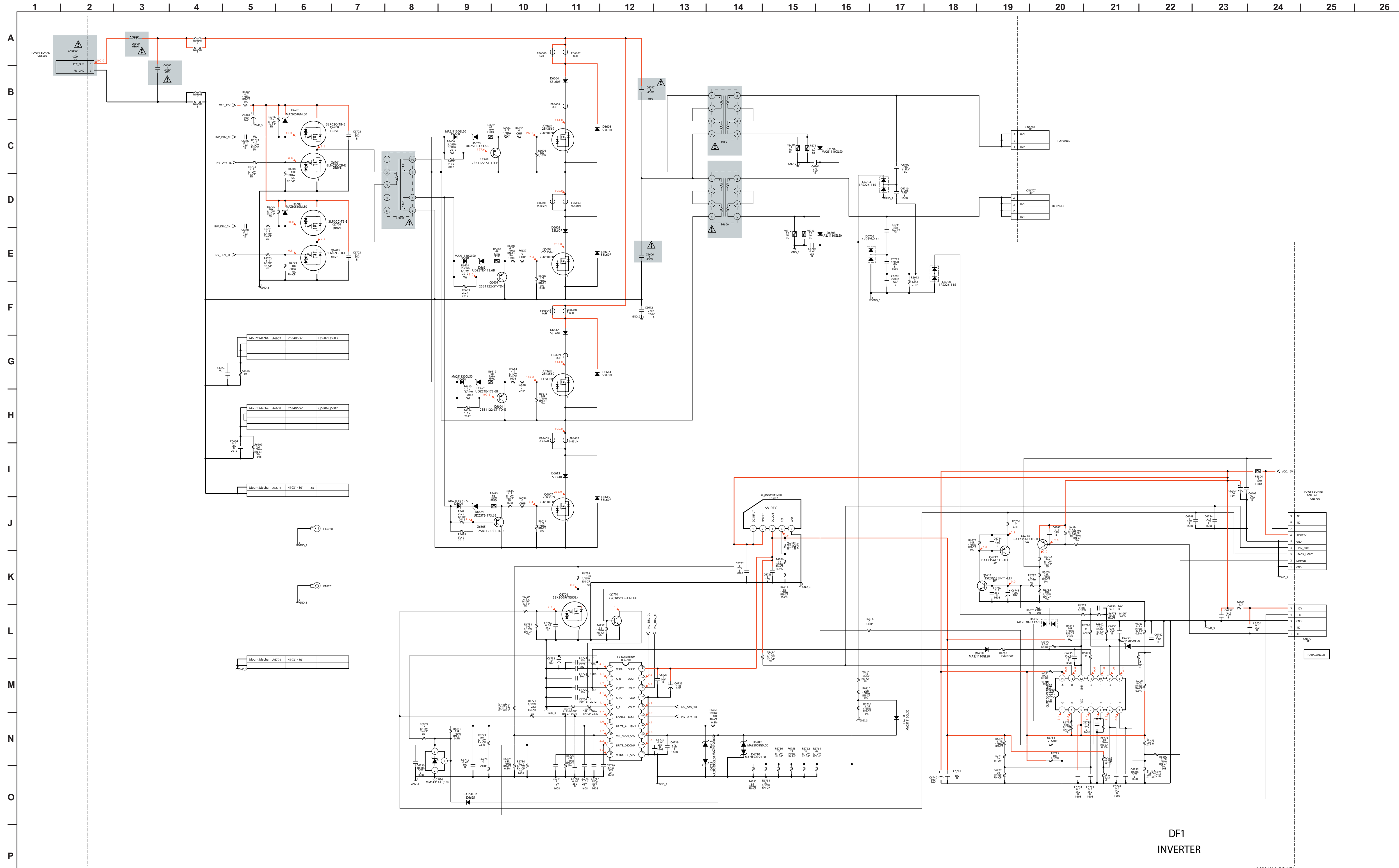
AU 4/6 AUDIO

AU BOARD SCHEMATIC DIAGRAM (6 OF 6)



A-1231-638-A<FIX2>AU-P6

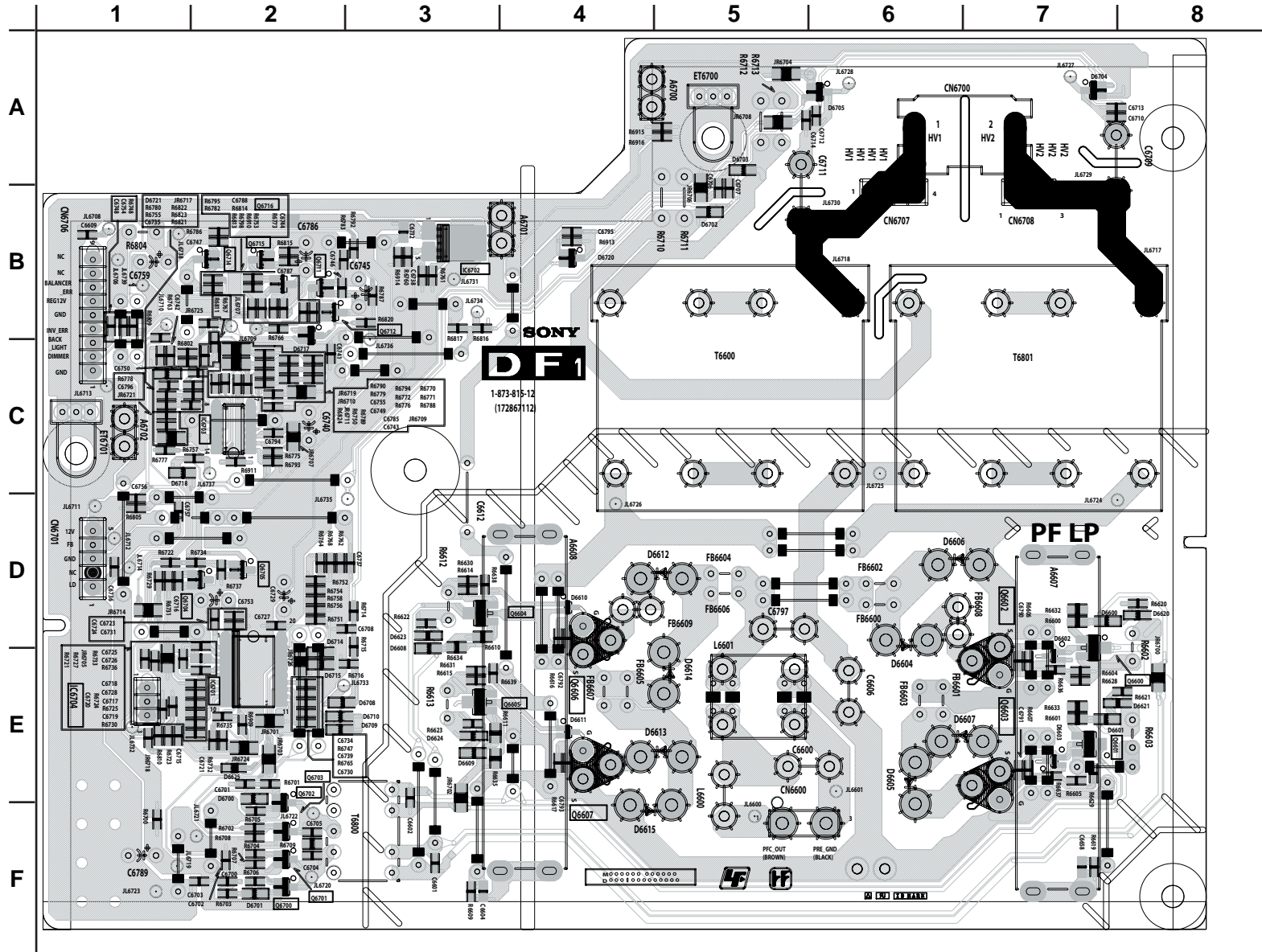
DF1 BOARD SCHEMATIC DIAGRAM (KDL-40VL130 ONLY)



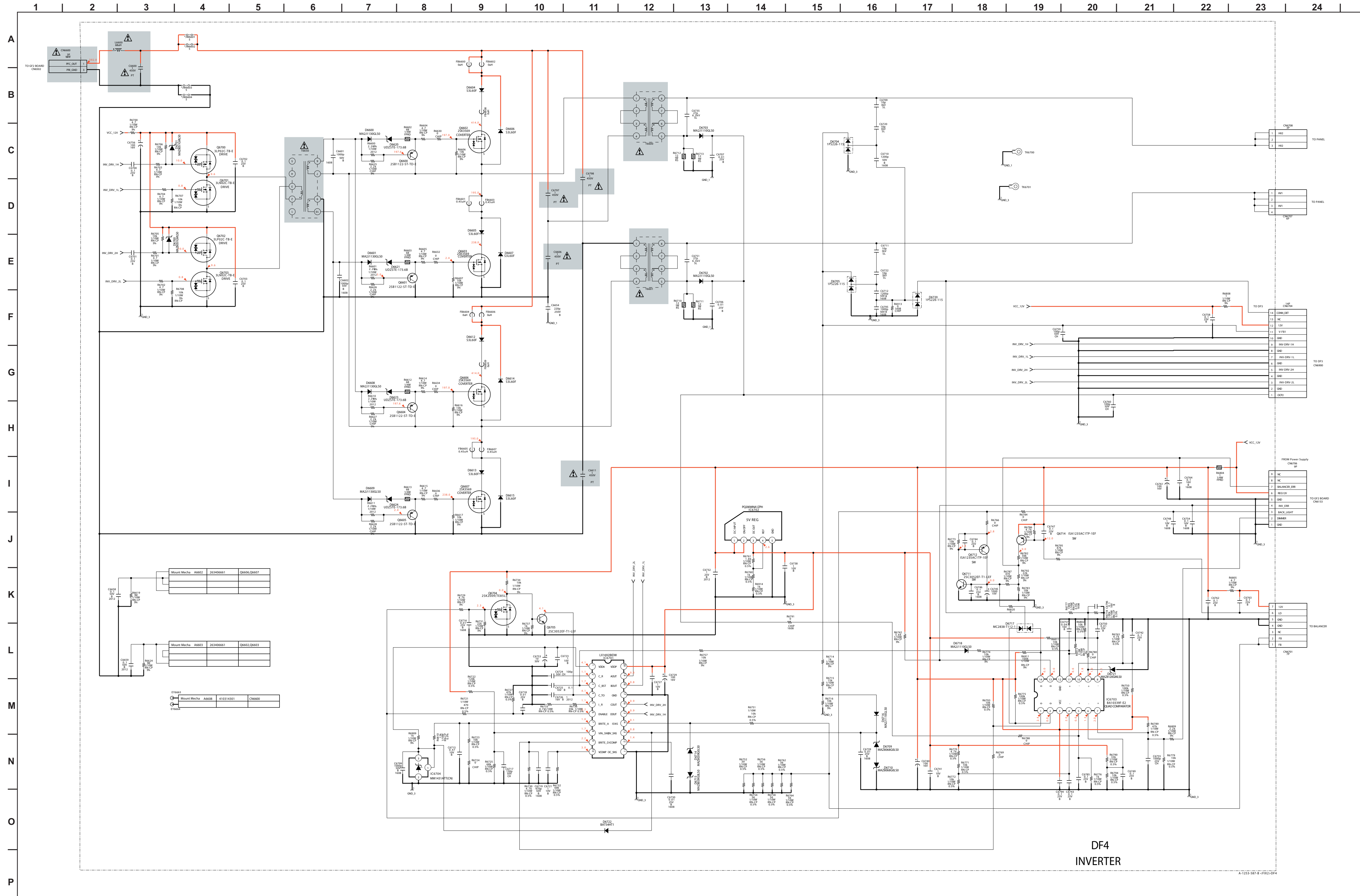
DF1
INVERTER

DF1 [INVERTER]

CONDUCTOR SIDE (KDL-40VL130 ONLY)

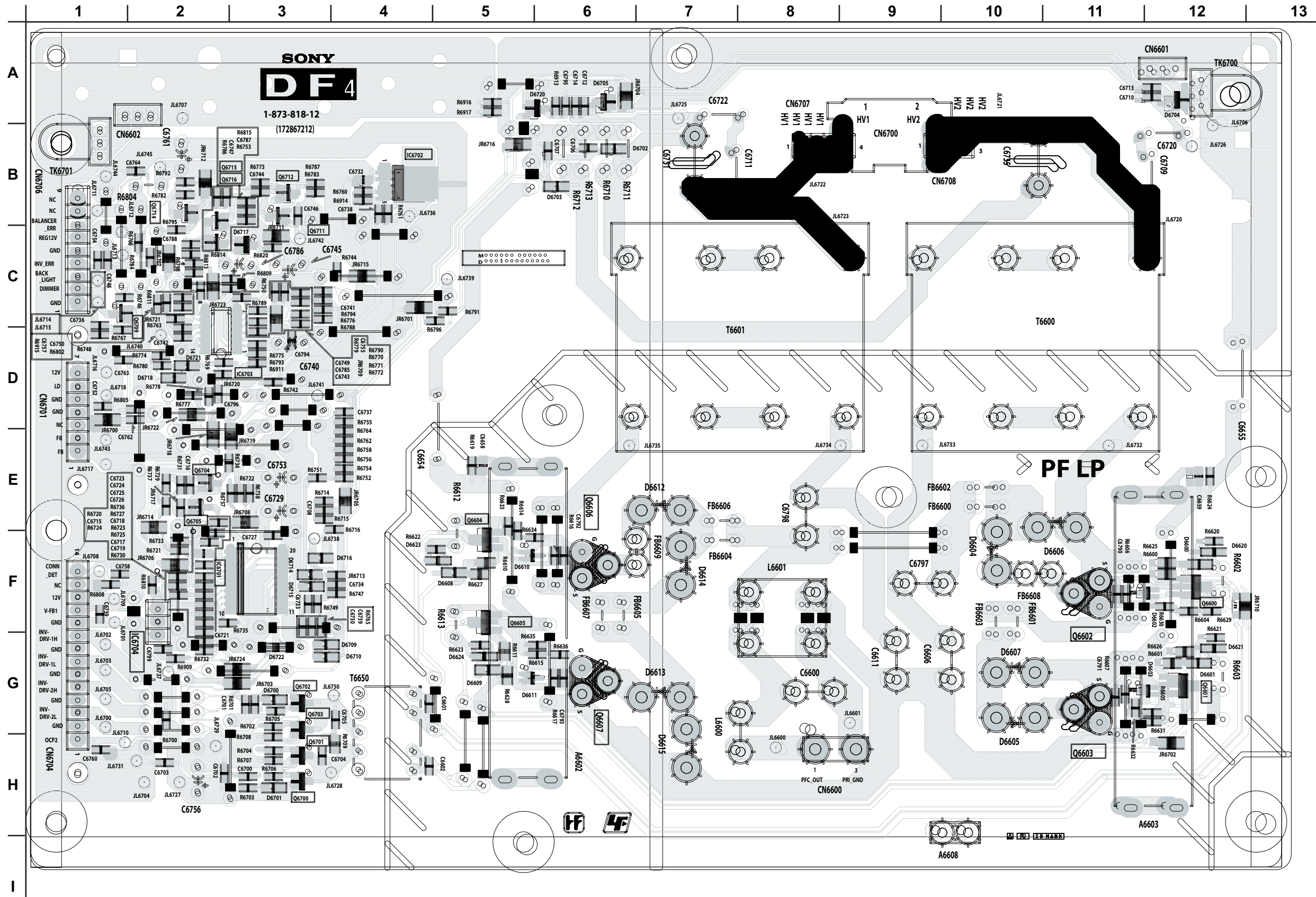


DF4 BOARD SCHEMATIC DIAGRAM (ALL EXCEPT KDL-40VL130)

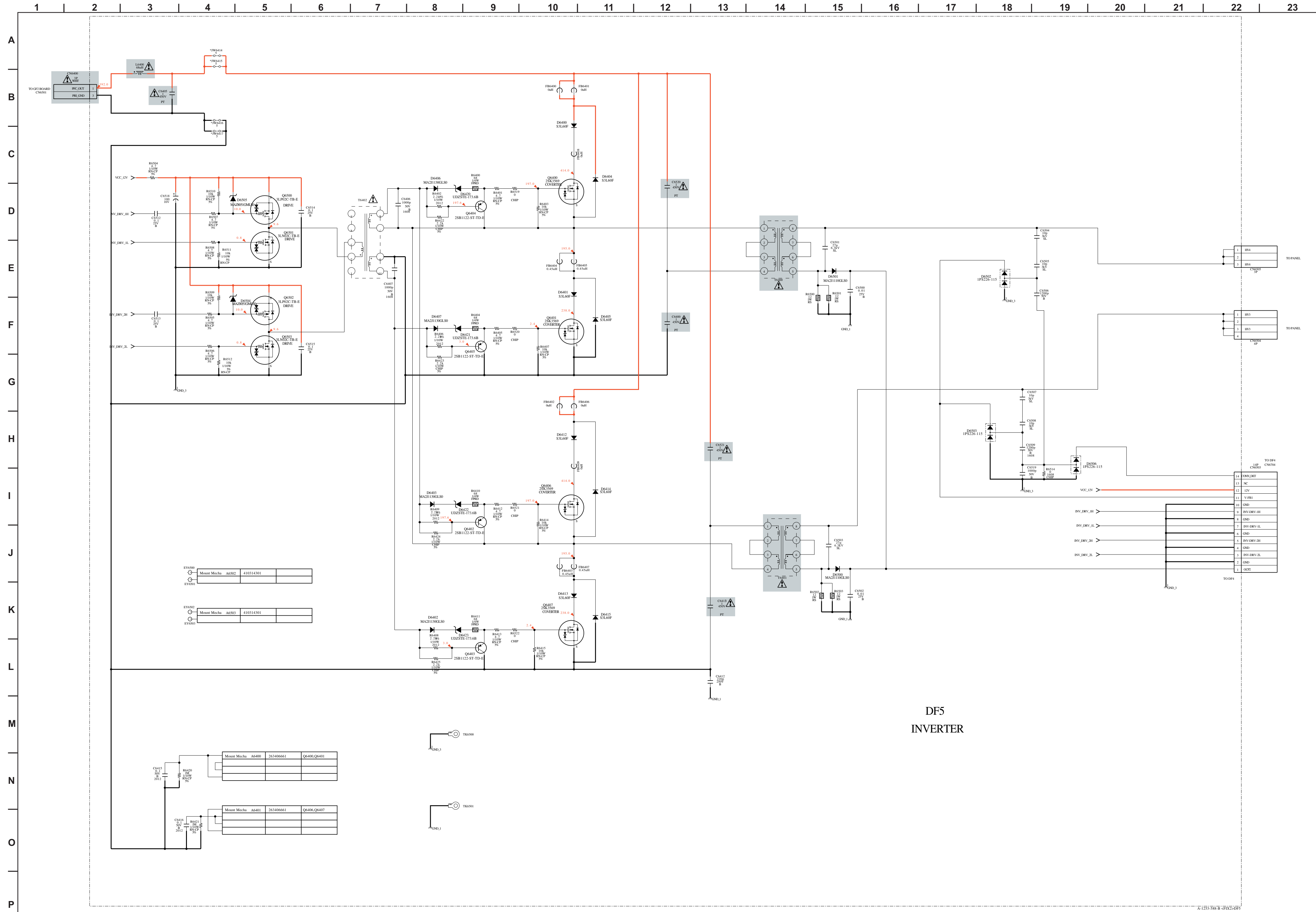


DF4 [INVERTER]

CONDUCTOR SIDE (ALL EXCEPT KDL-40VL130)



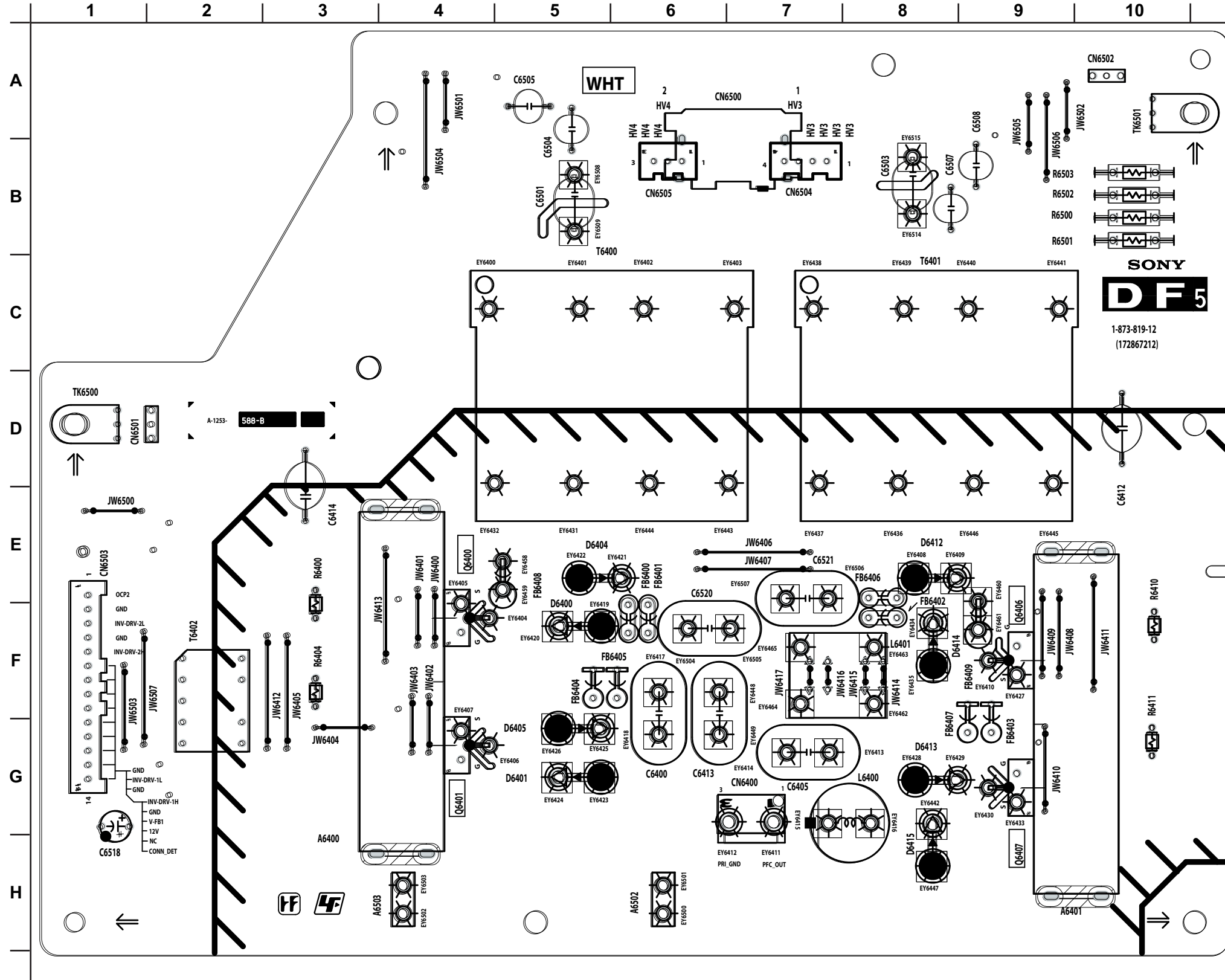
DF5 BOARD SCHEMATIC DIAGRAM (ALL EXCEPT KDL-40VL130)



DF5
INVERTER

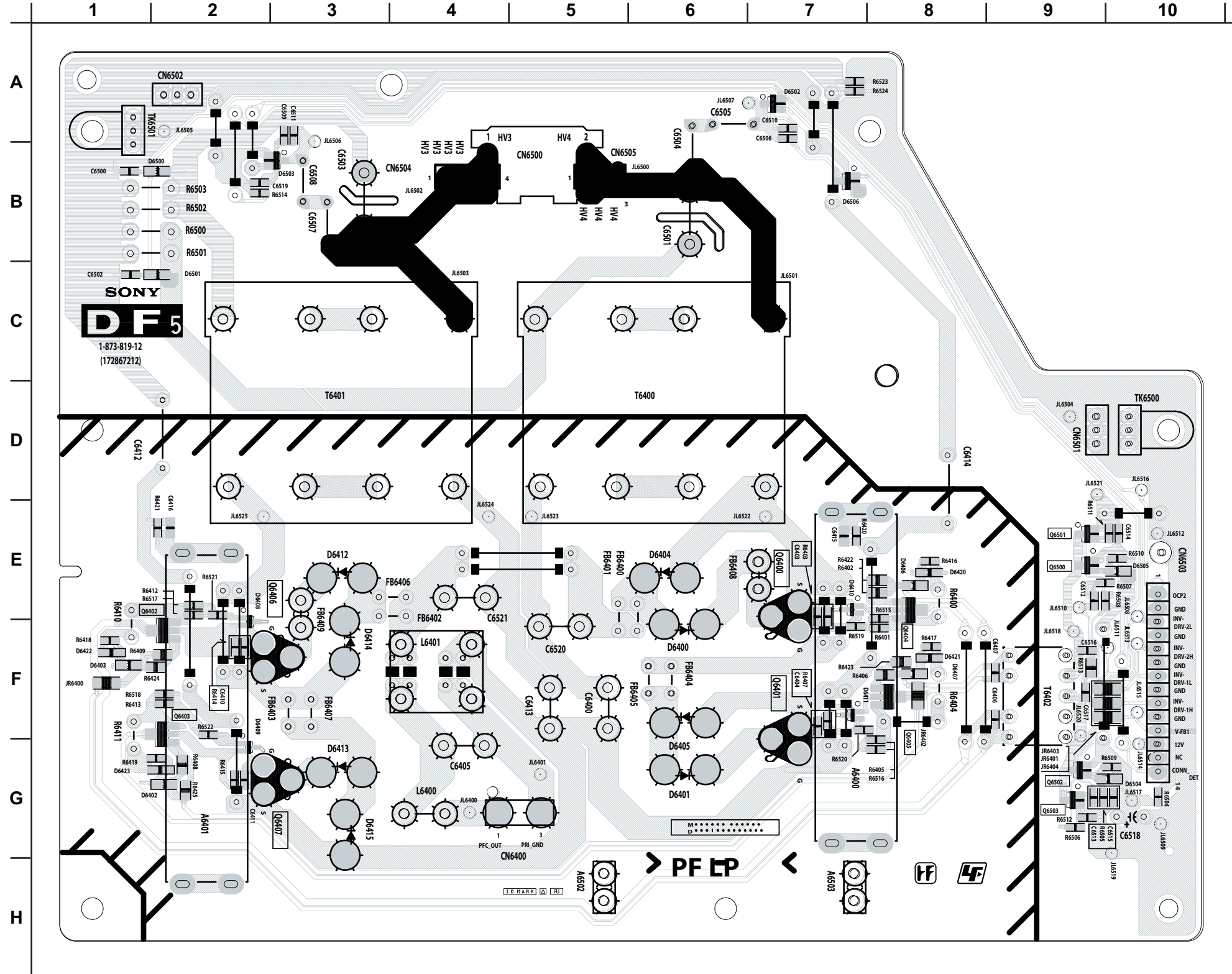
DF5 [INVERTER]

COMPONENT SIDE (ALL EXCEPT KDL-40VL130)

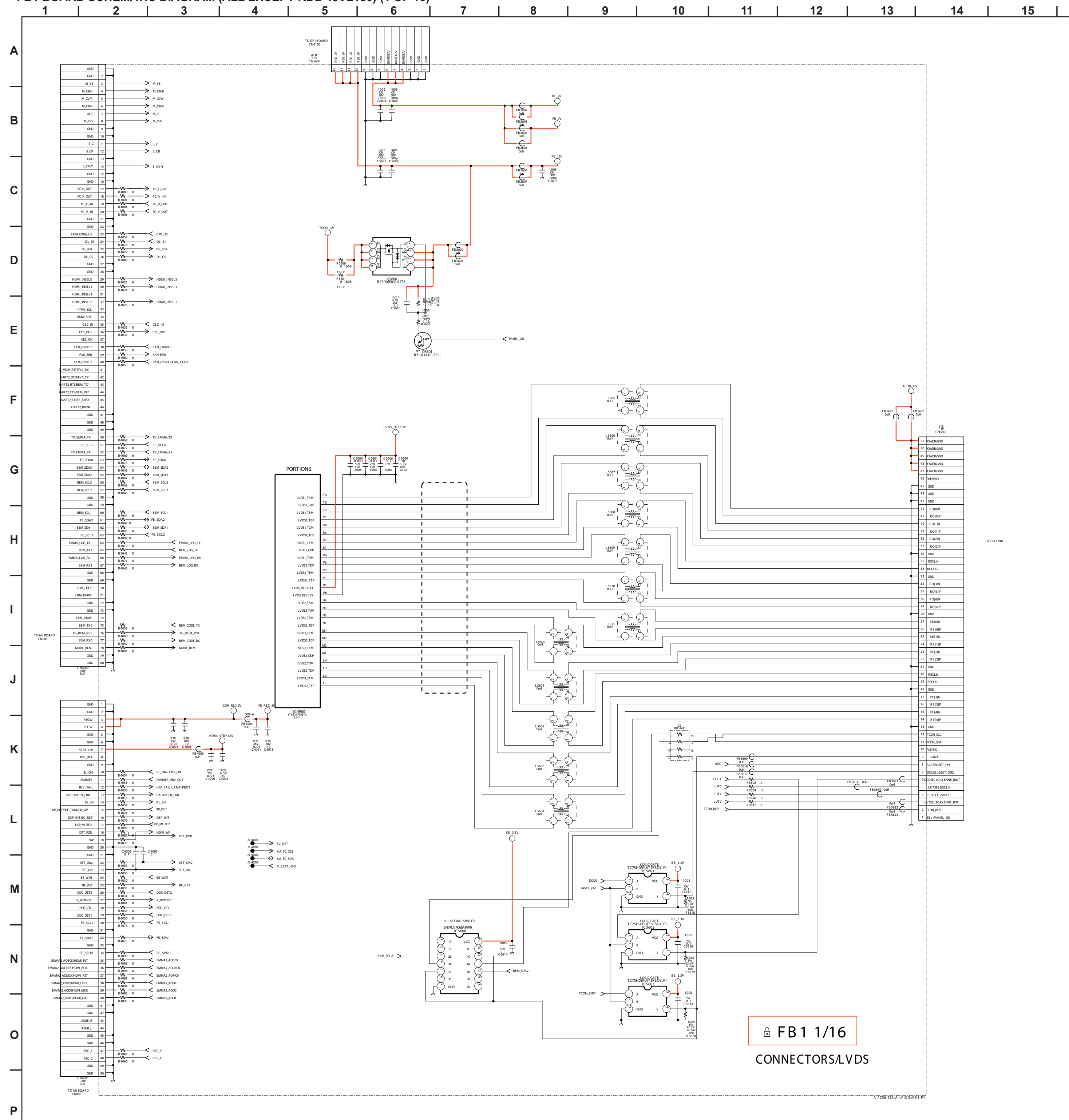


DF5 [INVERTER]

CONDUCTOR SIDE (ALL EXCEPT KDL-40VL130)

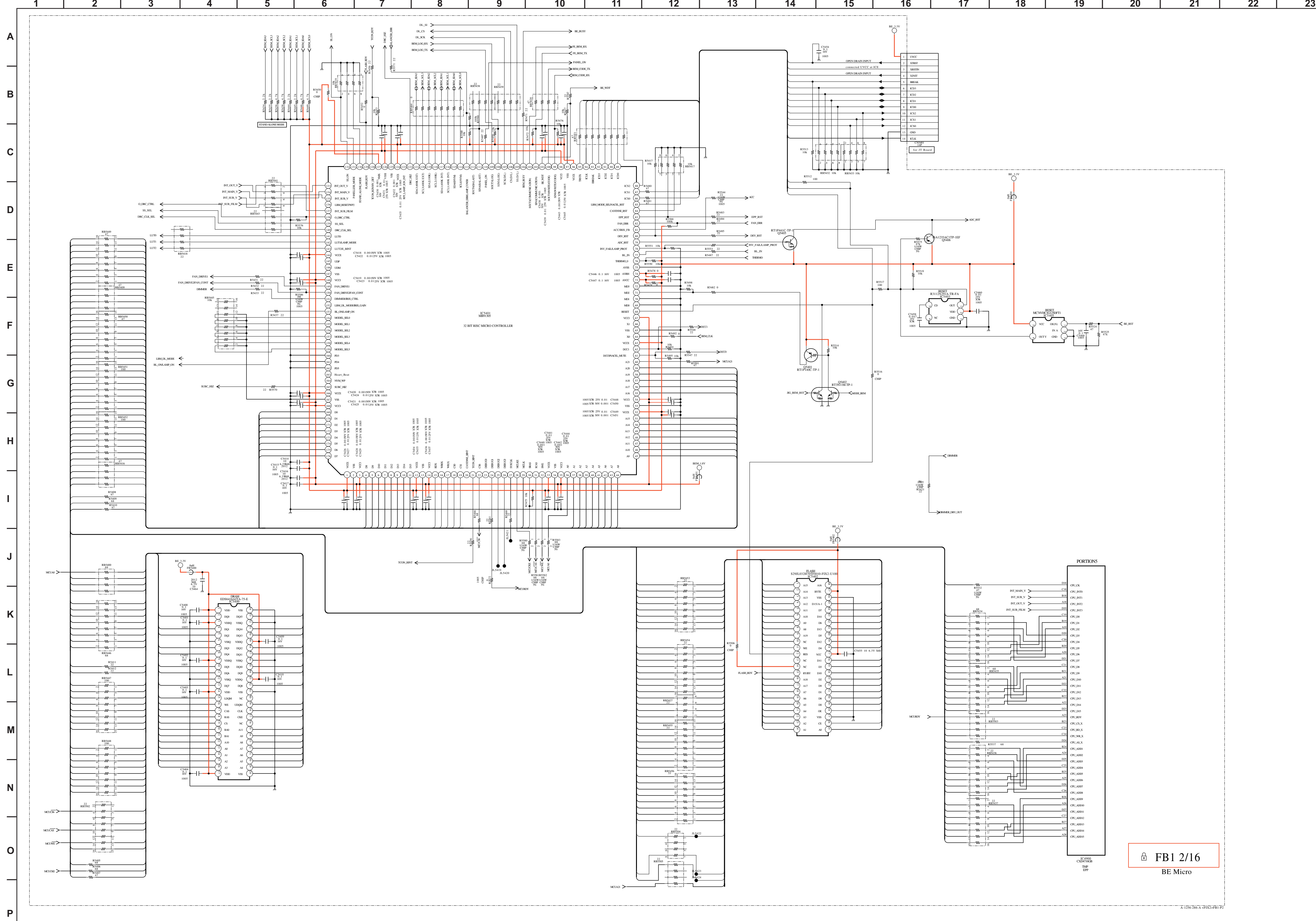


FB1 BOARD SCHEMATIC DIAGRAM (ALL EXCEPT KDL-40VL130) (1 OF 16)



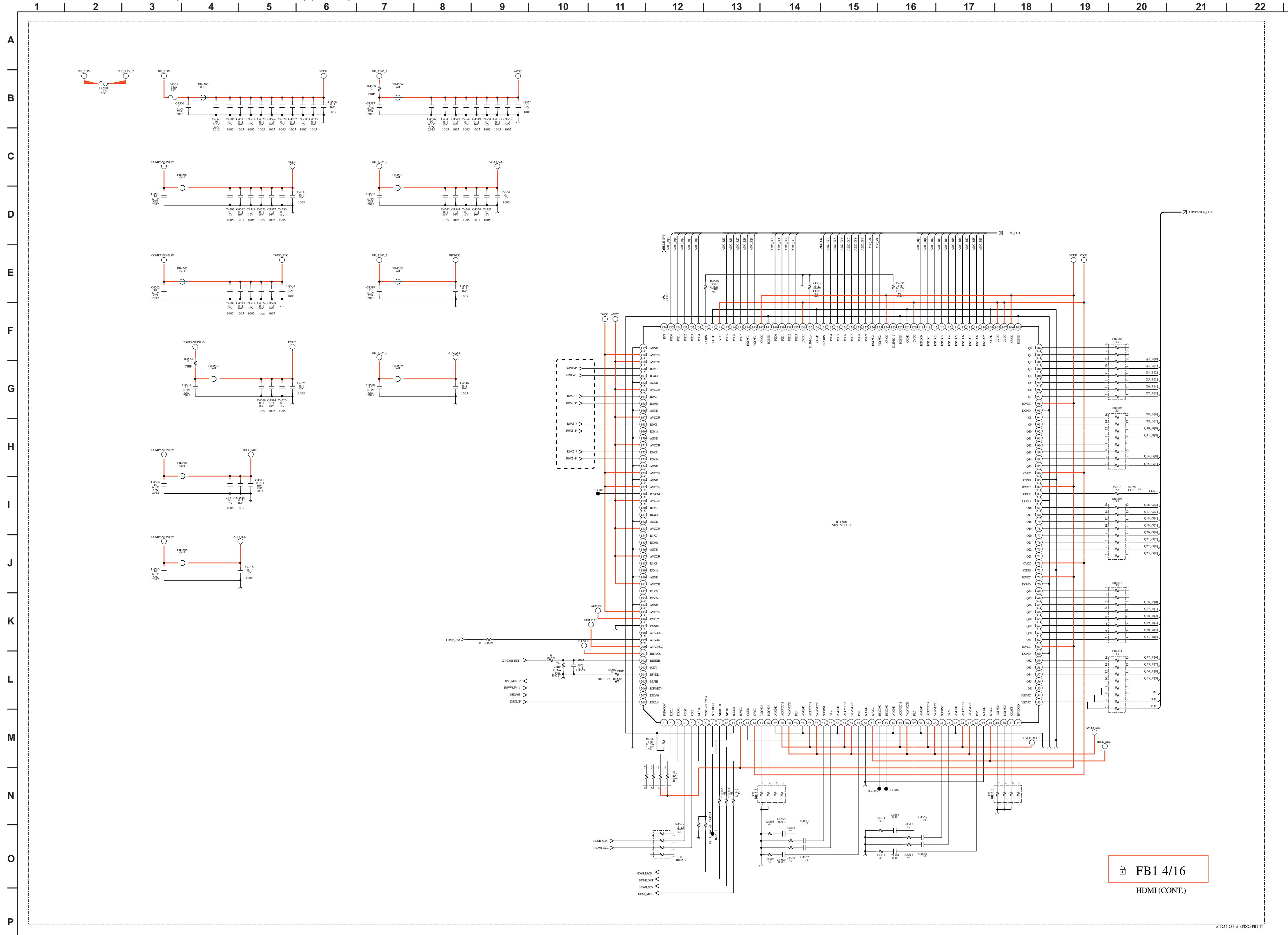
FB1 1/16
CONNECTORS/LVDS

FB1 BOARD SCHEMATIC DIAGRAM (ALL EXCEPT KDL-40VL130) (2 OF 16)

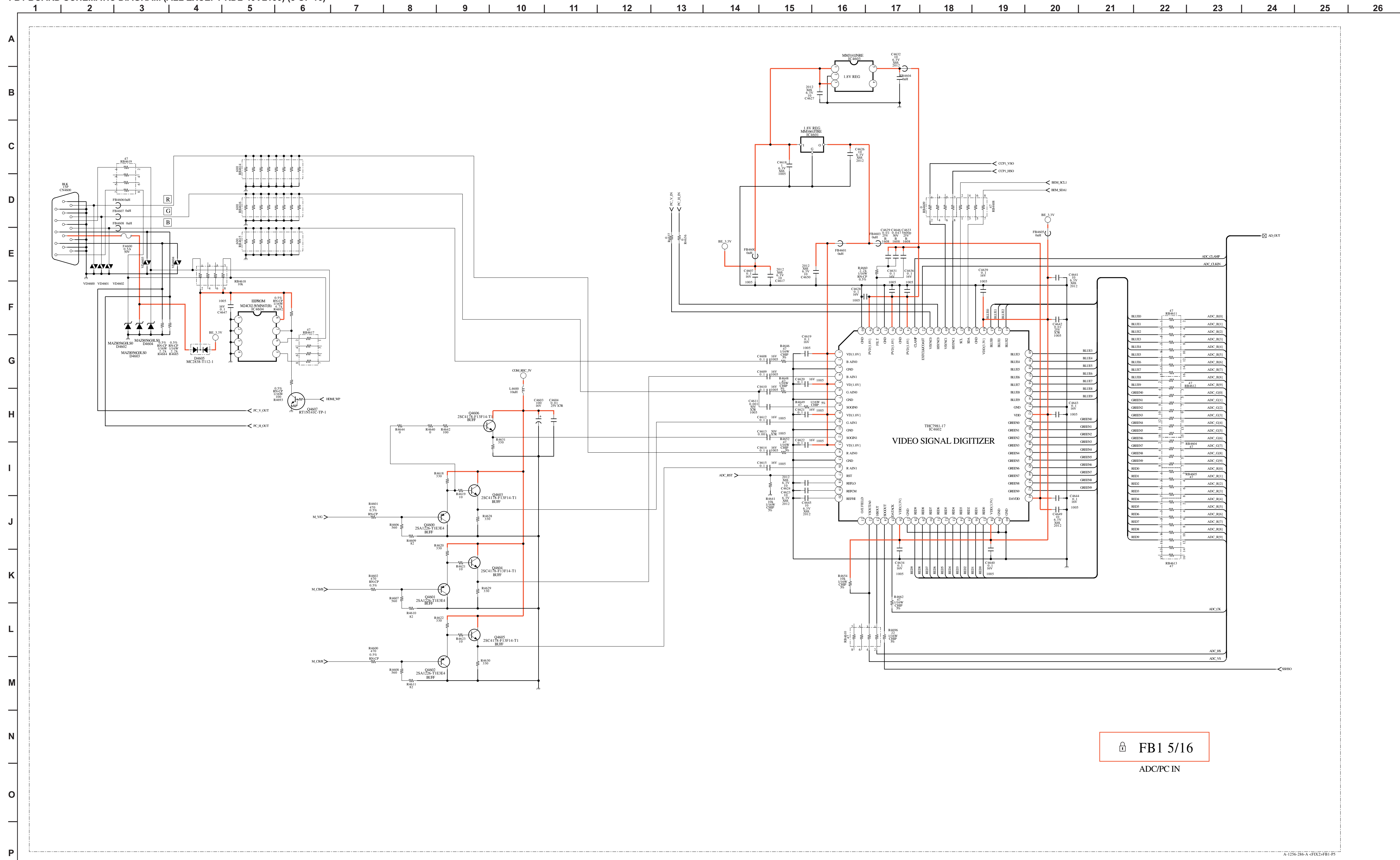


FB1 2/16
BE Micro

FB1 BOARD SCHEMATIC DIAGRAM (ALL EXCEPT KDL-40VL130) (4 OF 16)

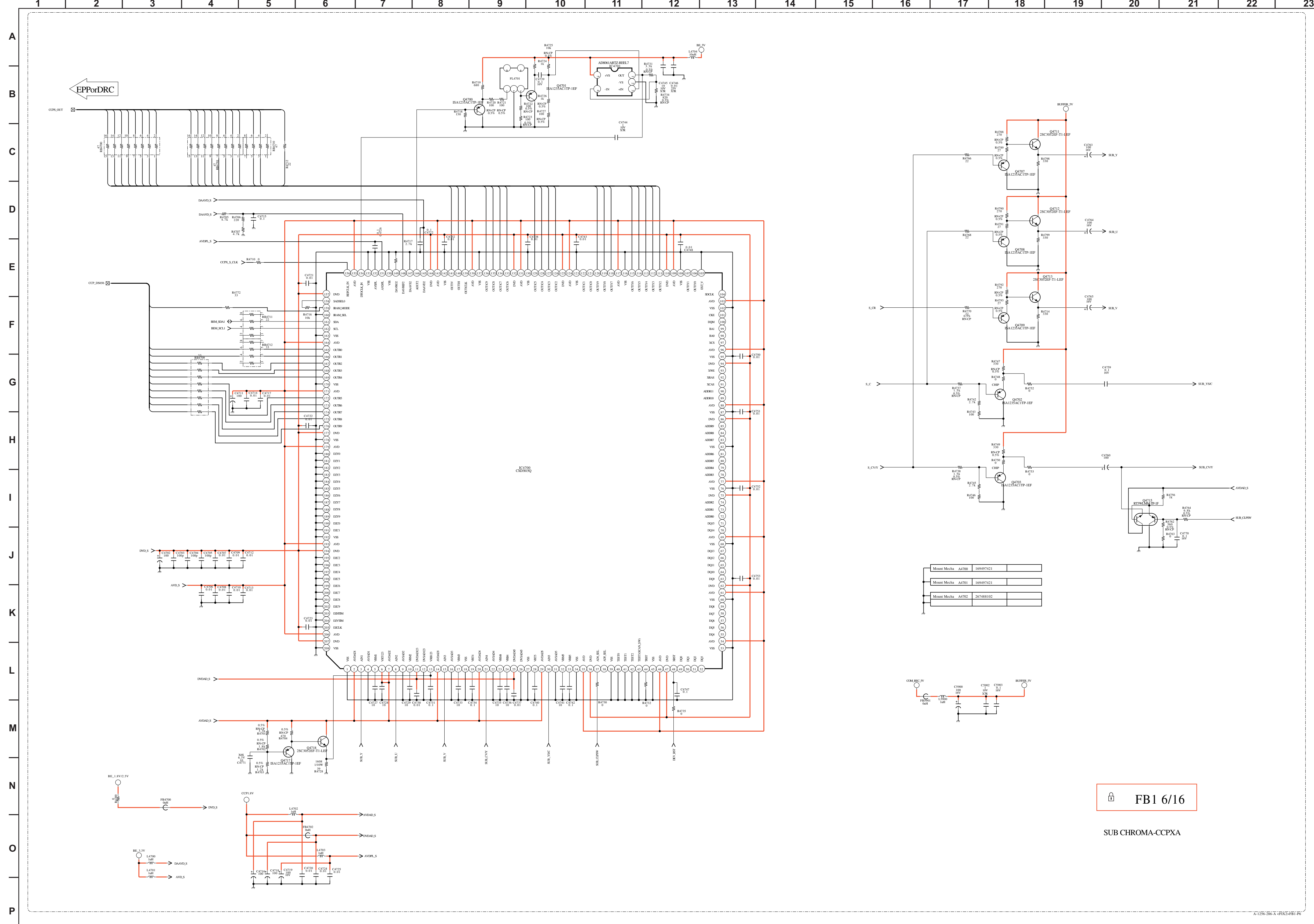


FB1 BOARD SCHEMATIC DIAGRAM (ALL EXCEPT KDL-40VL130) (5 OF 16)



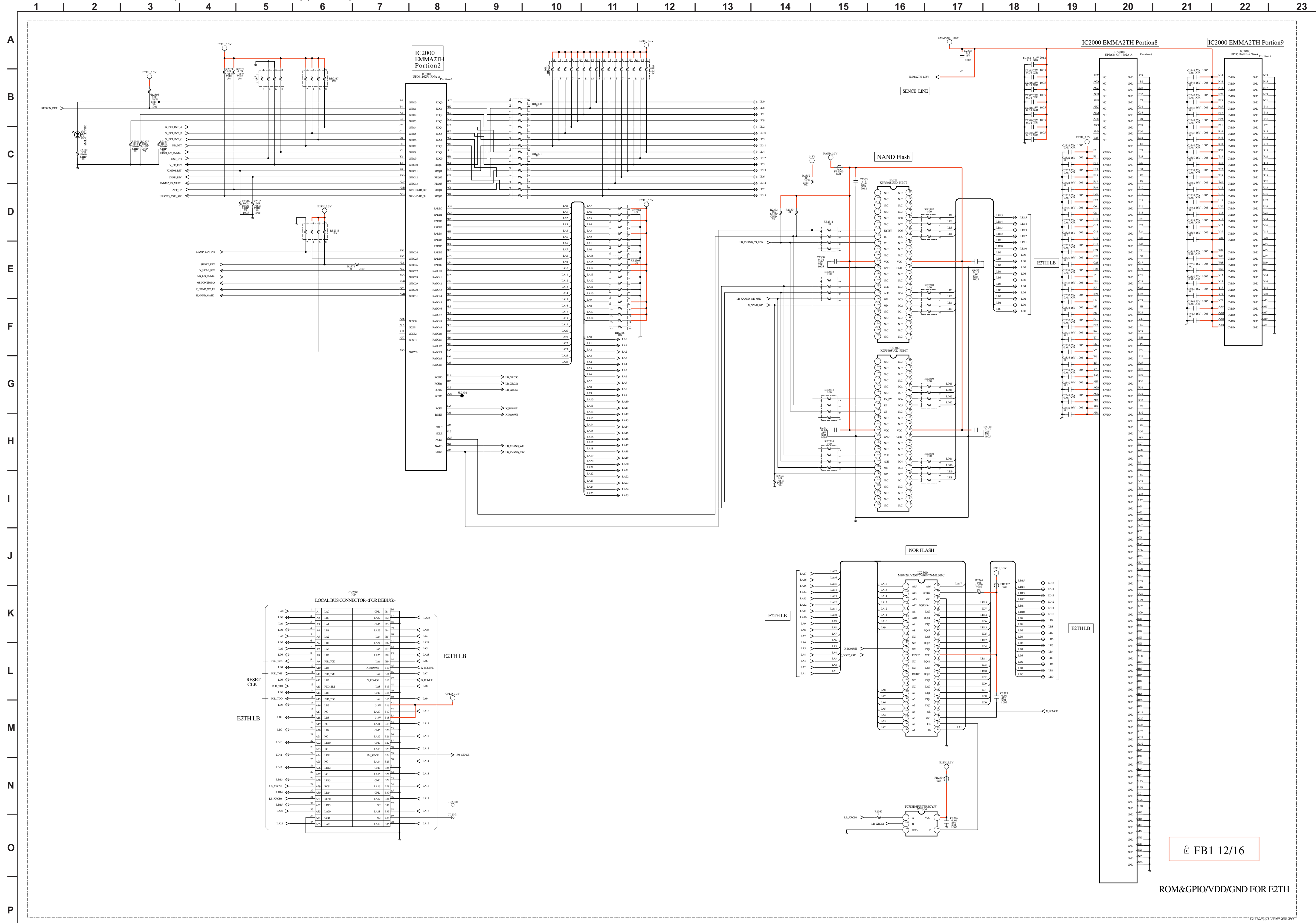
🔒 FB1 5/16
ADC/PC IN

FB1 BOARD SCHEMATIC DIAGRAM (ALL EXCEPT KDL-40VL130) (6 OF 16)



FB1 6/16
SUB CHROMA-CCPXA

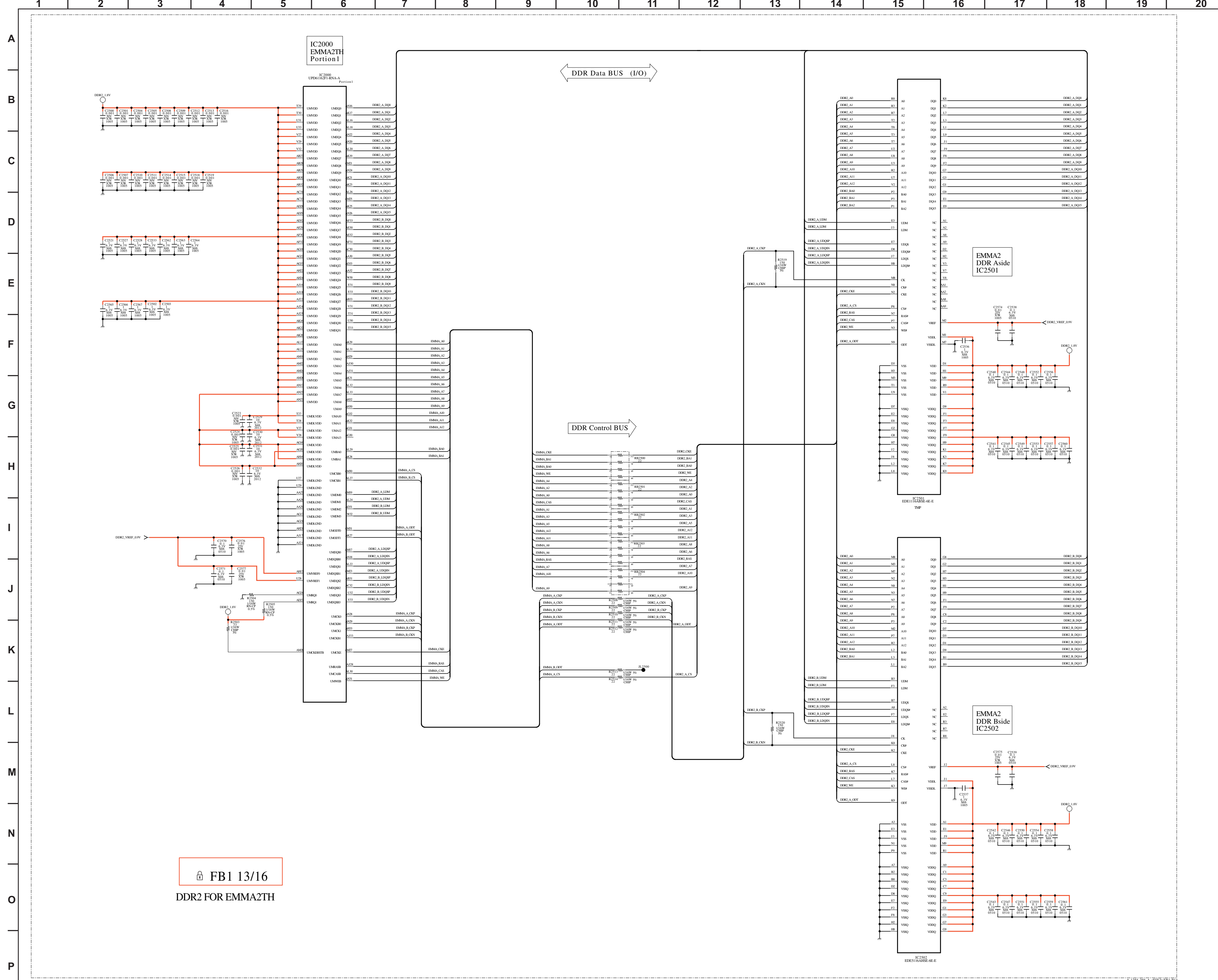
FB1 BOARD SCHEMATIC DIAGRAM (ALL EXCEPT KDL-40VL130) (12 OF 16)



FB1 12/16

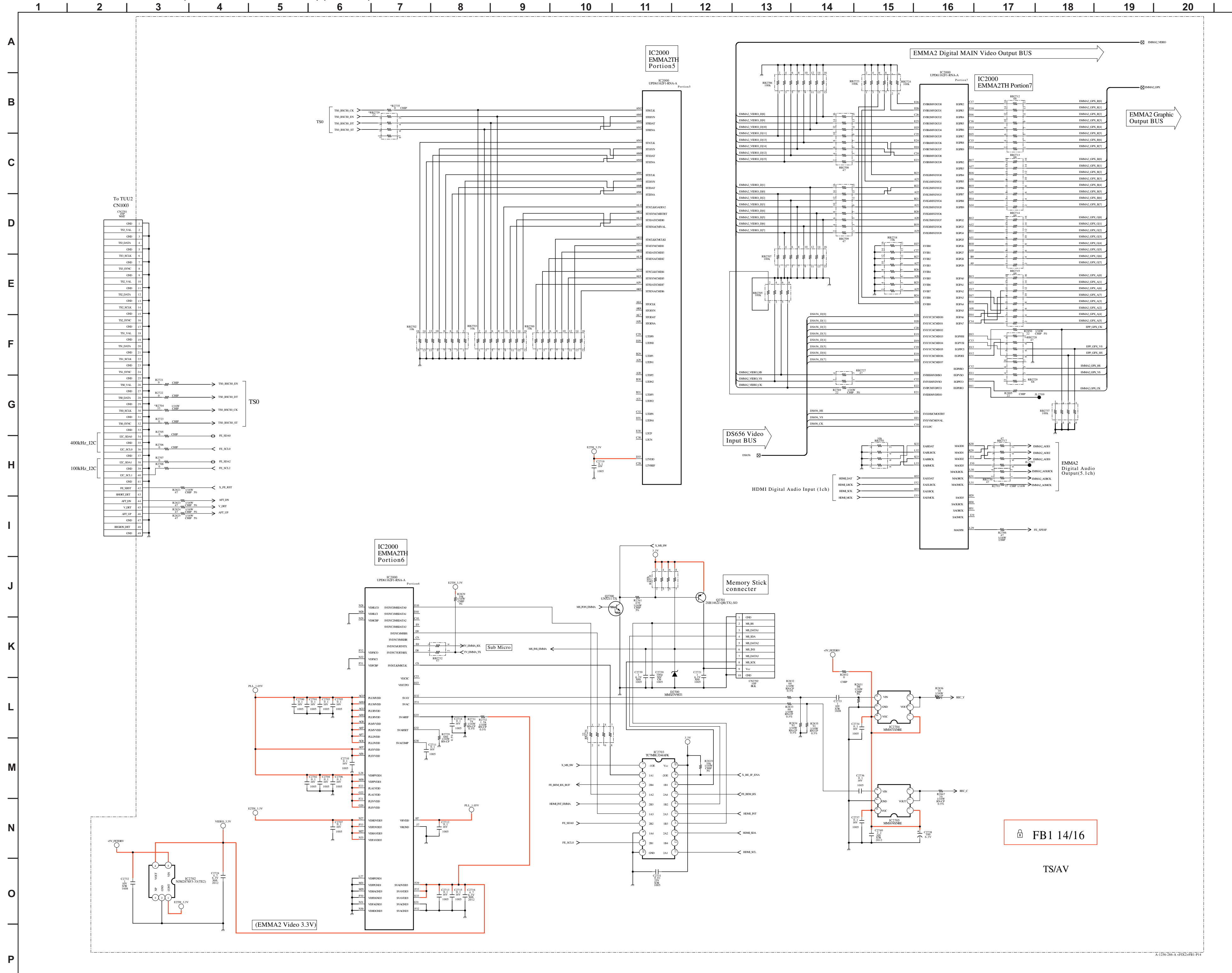
ROM&GPIO/VDD/GND FOR E2TH

FB1 BOARD SCHEMATIC DIAGRAM (ALL EXCEPT KDL-40VL130) (13 OF 16)



FB1 13/16
DDR2 FOR EMMA2TH

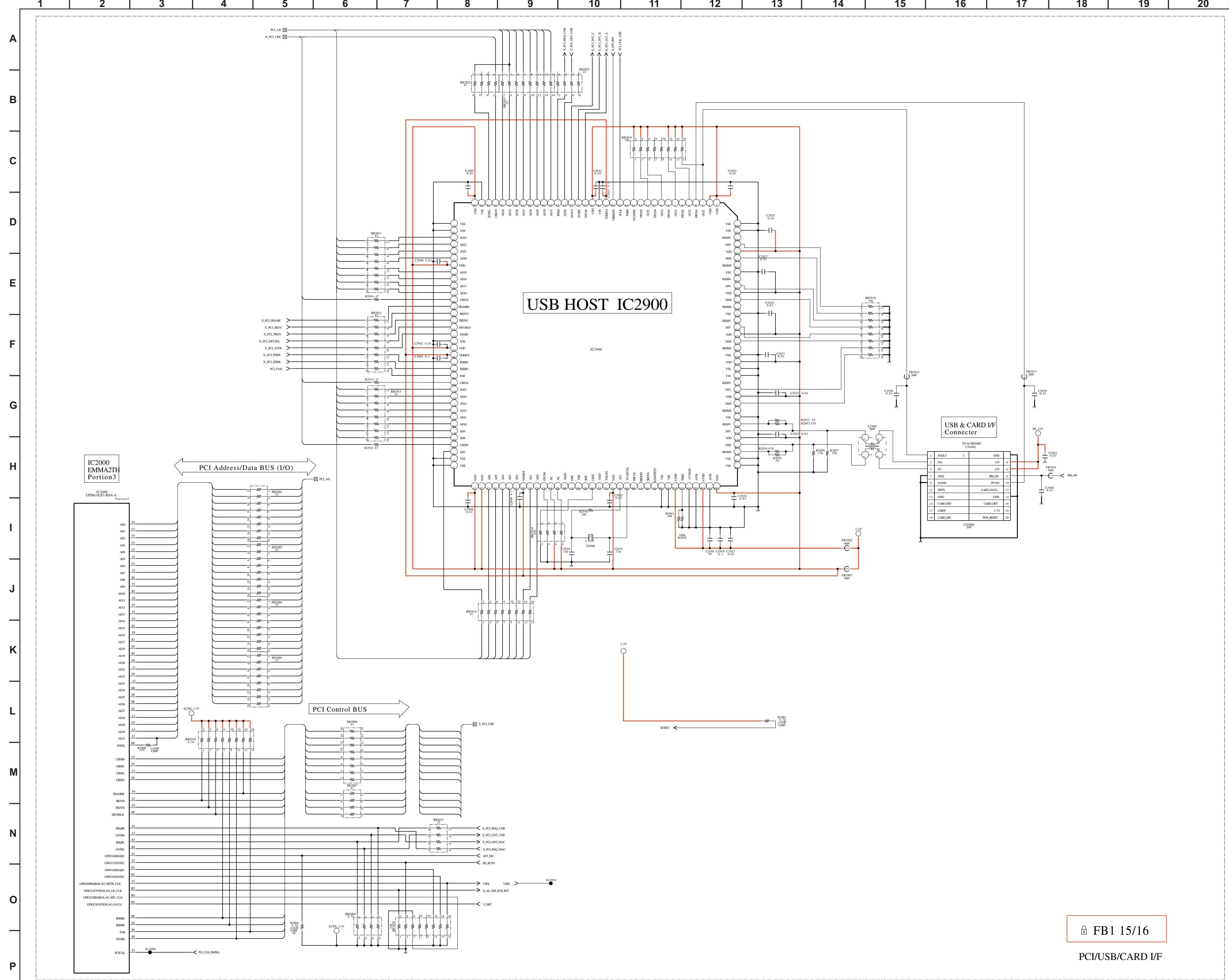
FB1 BOARD SCHEMATIC DIAGRAM (ALL EXCEPT KDL-40VL130) (14 OF 16)



FB1 14/16

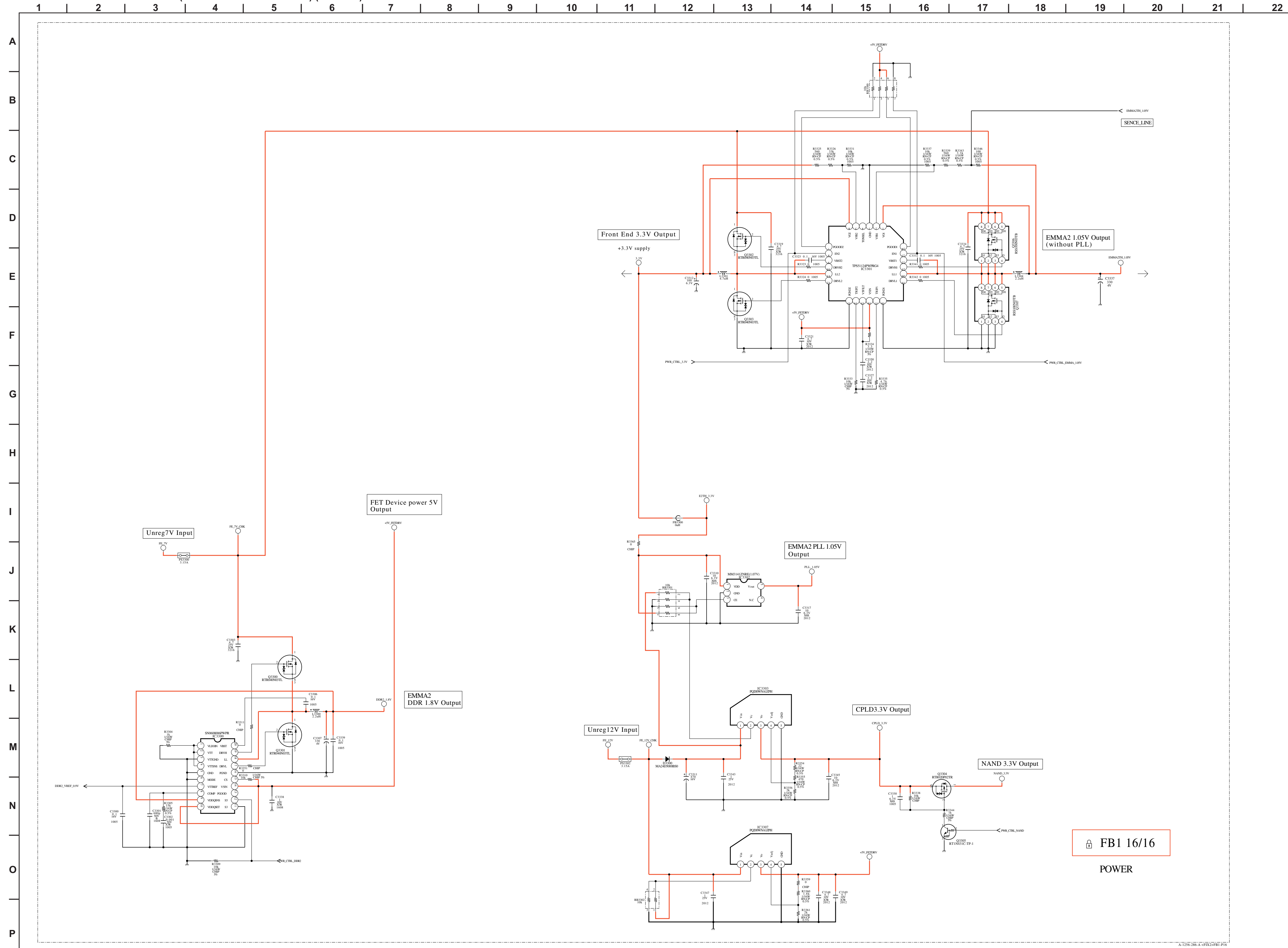
TS/AV

FB1 BOARD SCHEMATIC DIAGRAM (ALL EXCEPT KDL-40VL130) (15 OF 16)



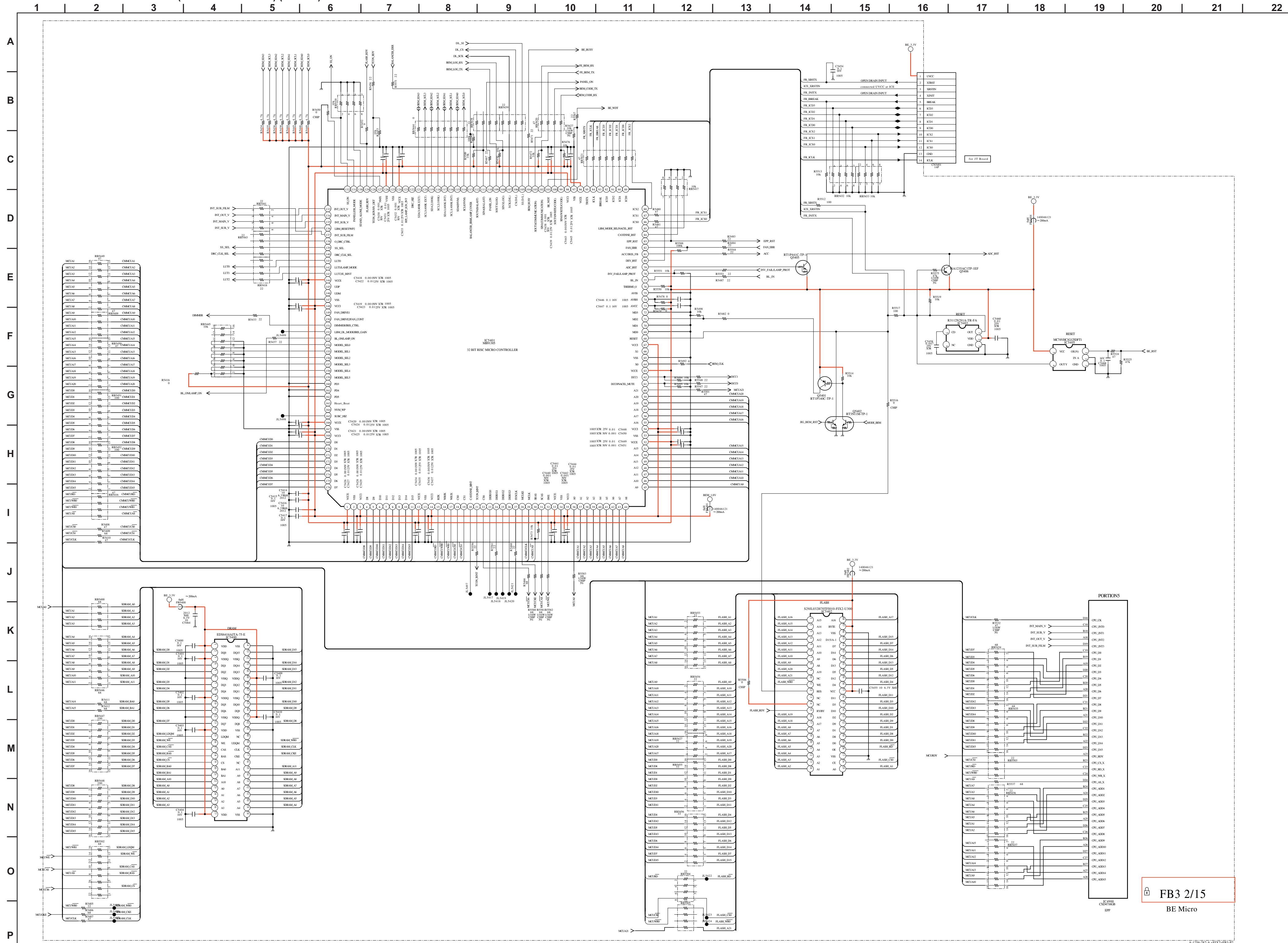
FB1 15/16
PCI/USB/CARD I/F

FB1 BOARD SCHEMATIC DIAGRAM (ALL EXCEPT KDL-40VL130) (16 OF 16)



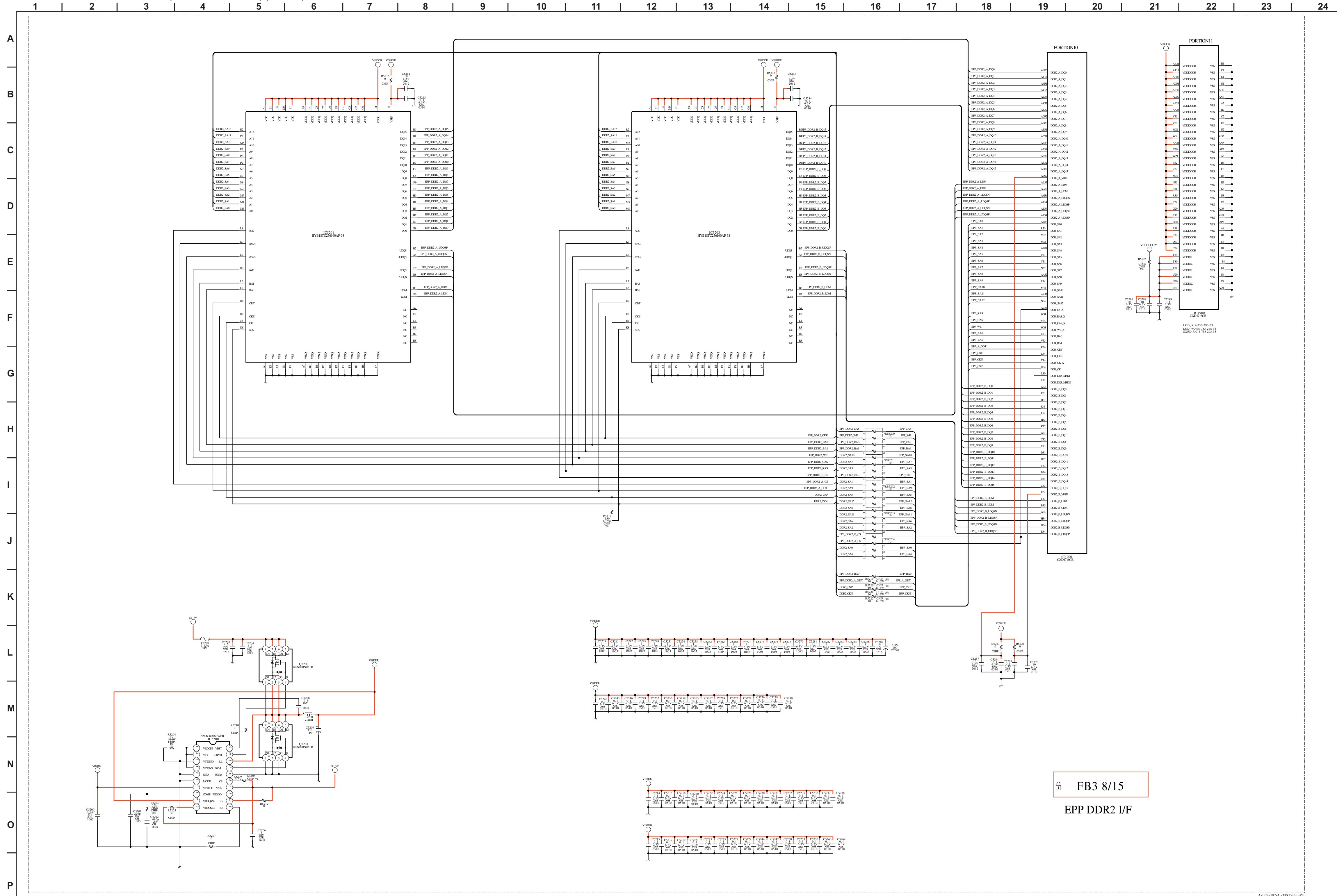
FB1 16/16
POWER

FB3 BOARD SCHEMATIC DIAGRAM (KDL-40VL130 ONLY) (2 OF 15)



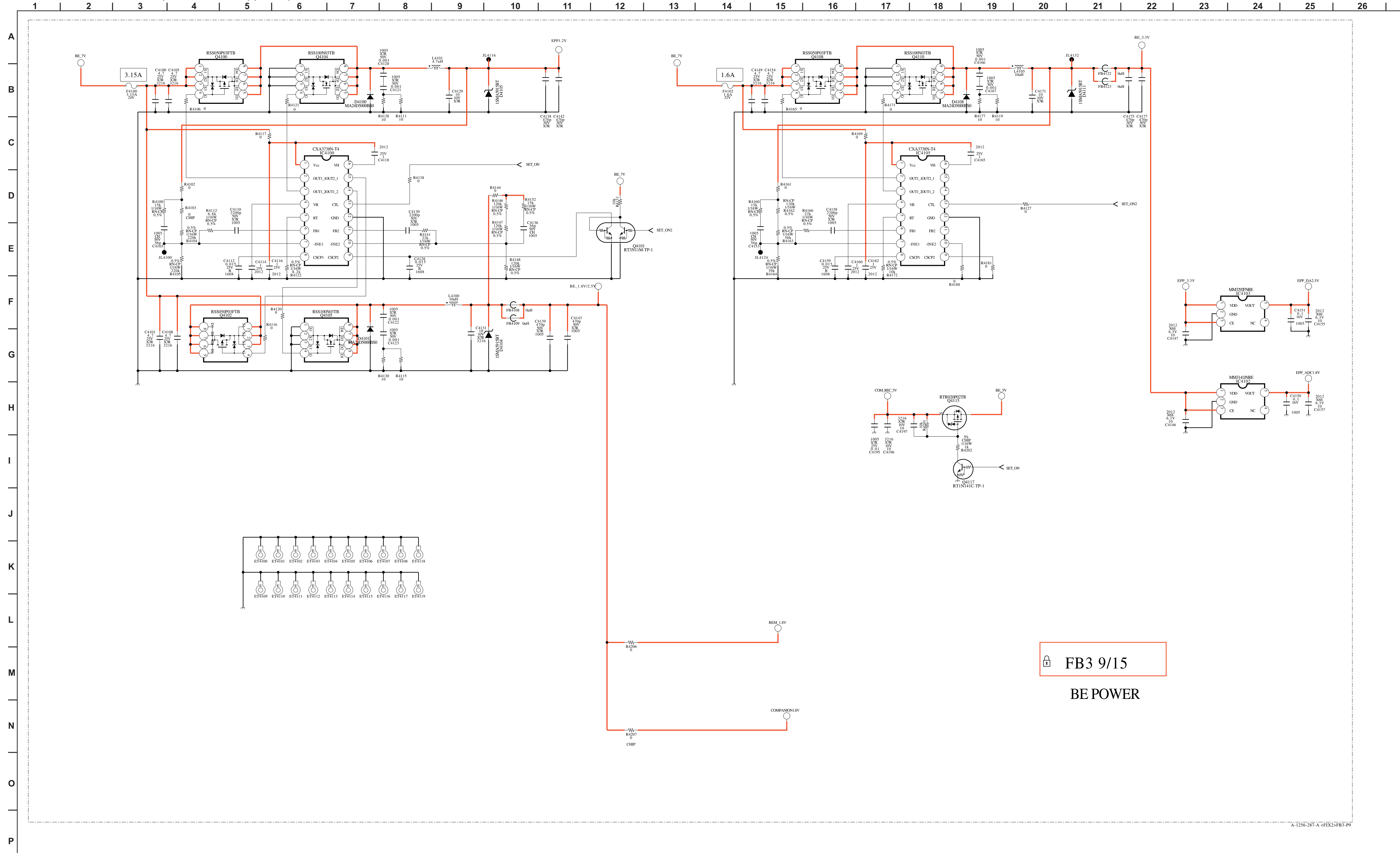
FB3 2/15
BE Micro

FB3 BOARD SCHEMATIC DIAGRAM (KDL-40VL130 ONLY) (8 OF 15)

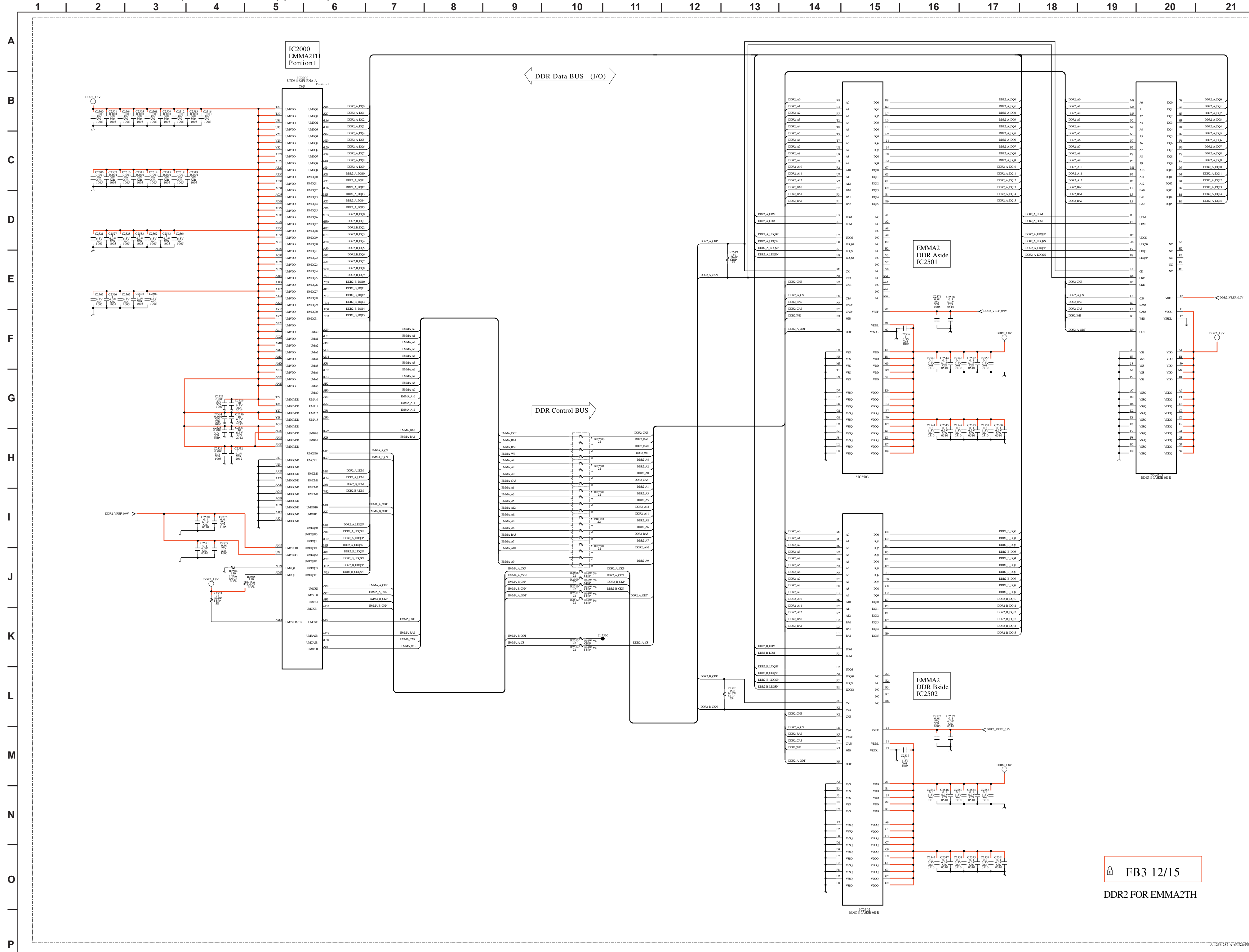


FB3 8/15
EPP DDR2 I/F

FB3 BOARD SCHEMATIC DIAGRAM (KDL-40VL130 ONLY) (9 OF 15)



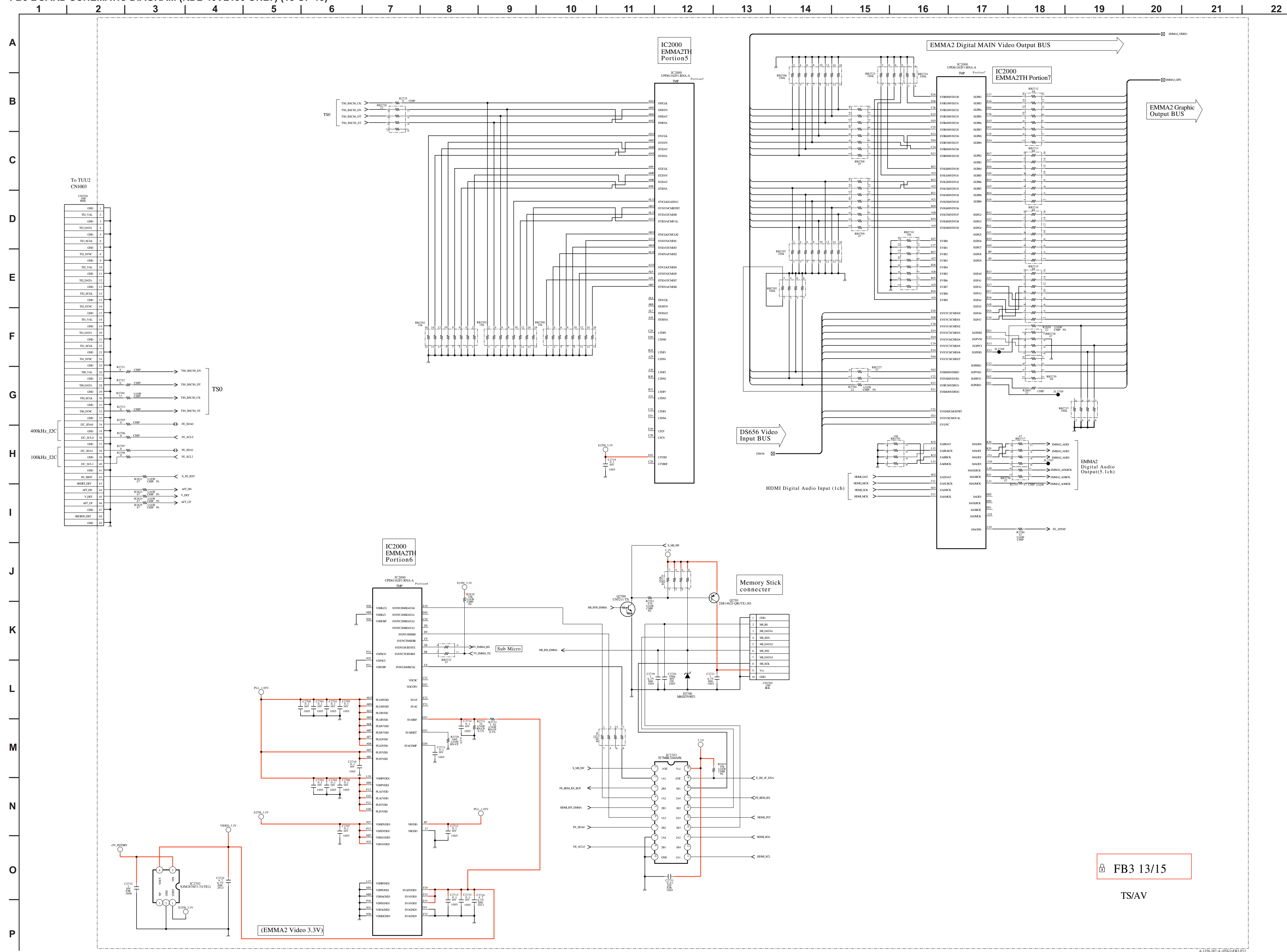
FB3 BOARD SCHEMATIC DIAGRAM (KDL-40VL130 ONLY) (12 OF 15)



FB3 12/15

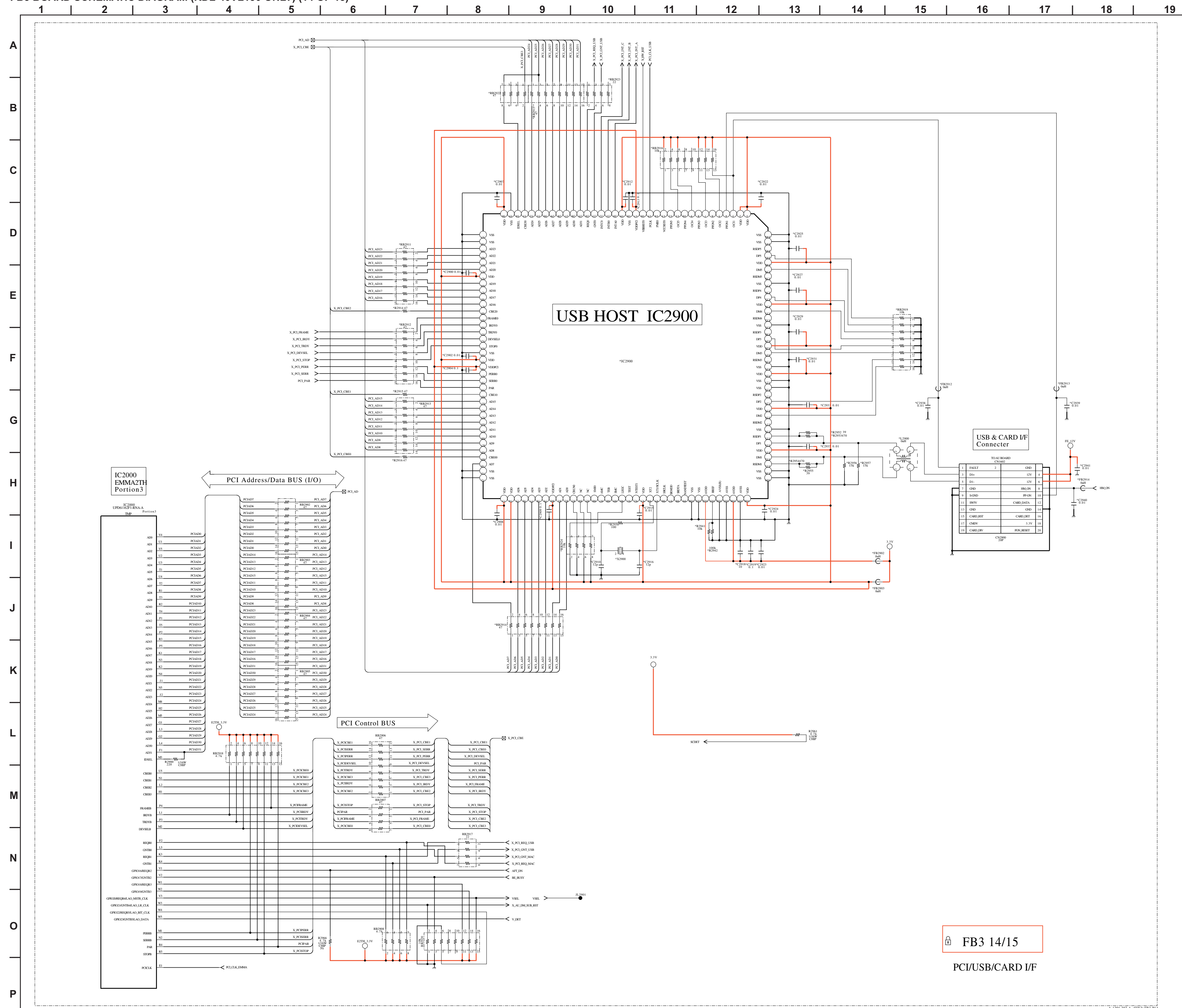
DDR2 FOR EMMA2TH

FB3 BOARD SCHEMATIC DIAGRAM (KDL-40VL130 ONLY) (13 OF 15)



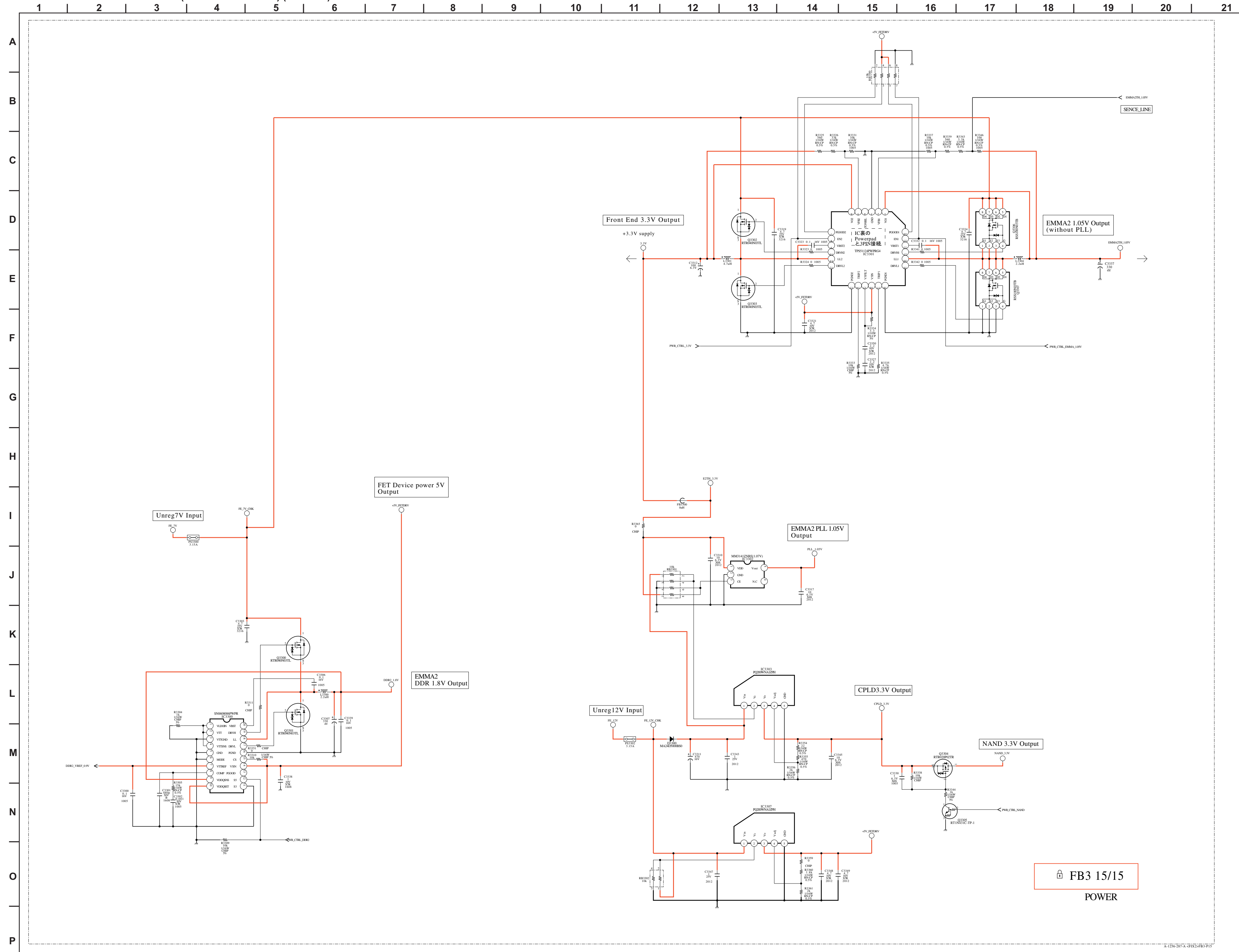
FB3 13/15
TS/AV

FB3 BOARD SCHEMATIC DIAGRAM (KDL-40VL130 ONLY) (14 OF 15)

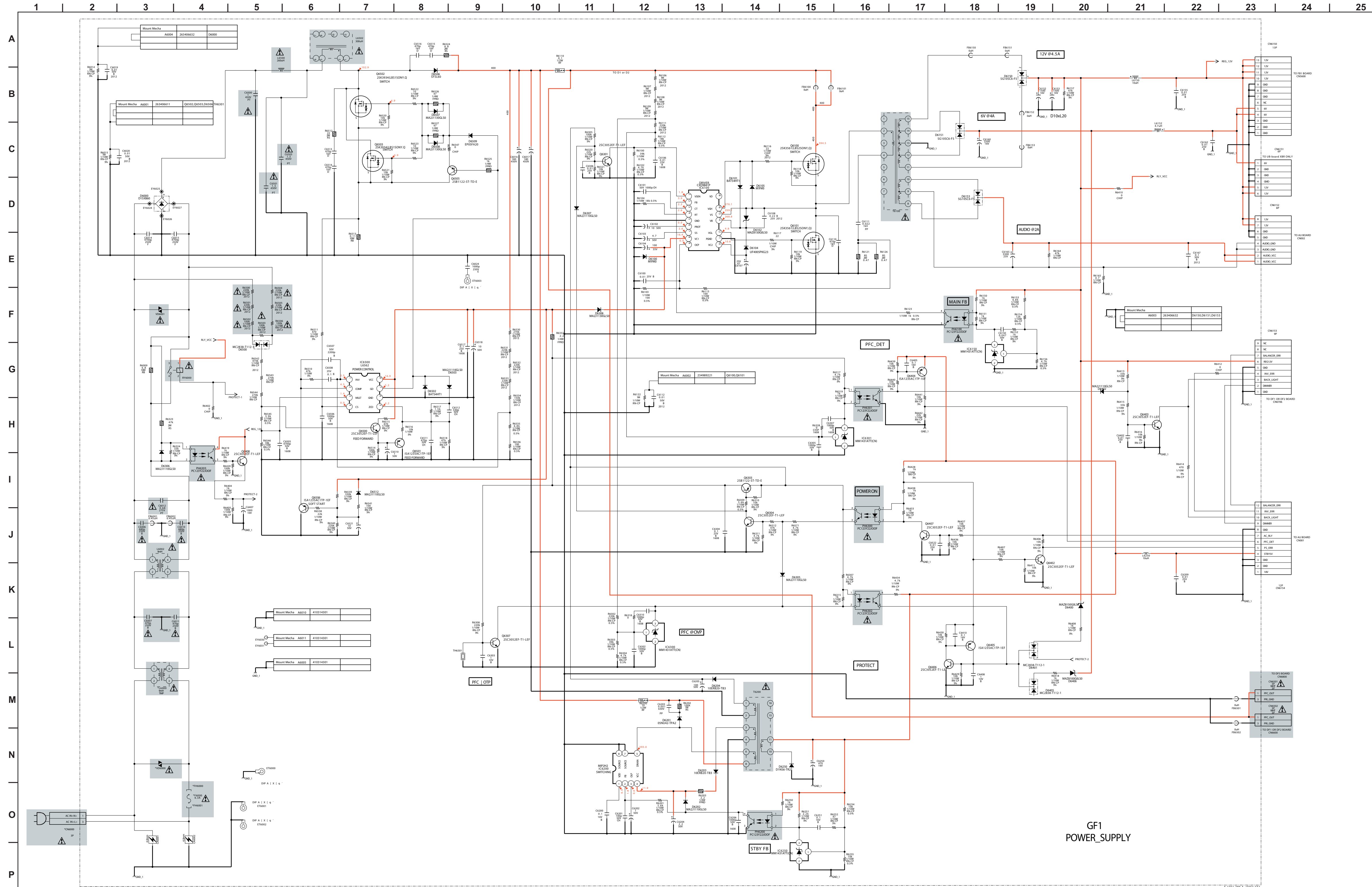


FB3 14/15
PCI/USB/CARD I/F

FB3 BOARD SCHEMATIC DIAGRAM (KDL-40VL130 ONLY) (15 OF 15)

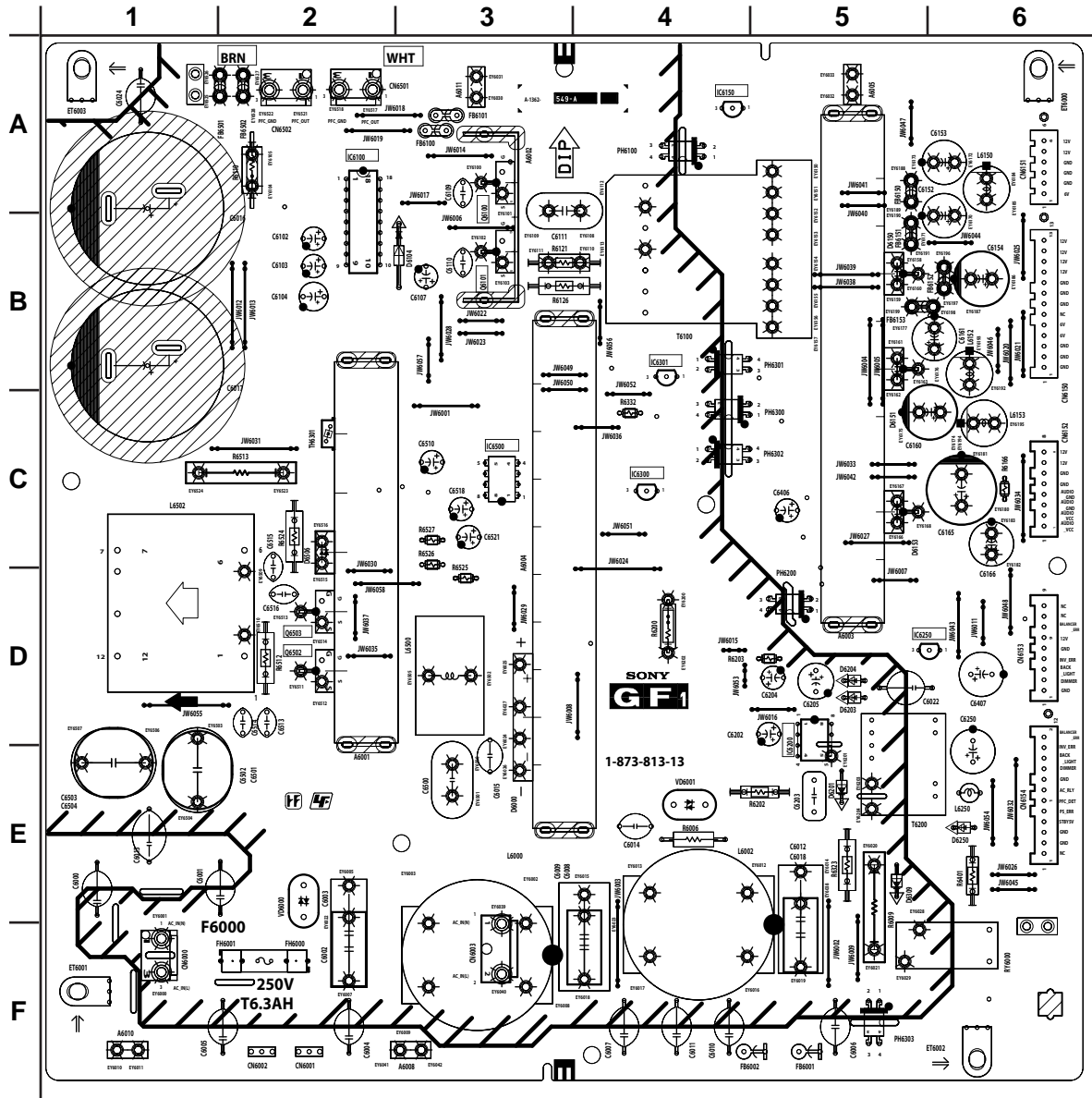


GF1 BOARD SCHEMATIC DIAGRAM (KDL-40VL130 ONLY)

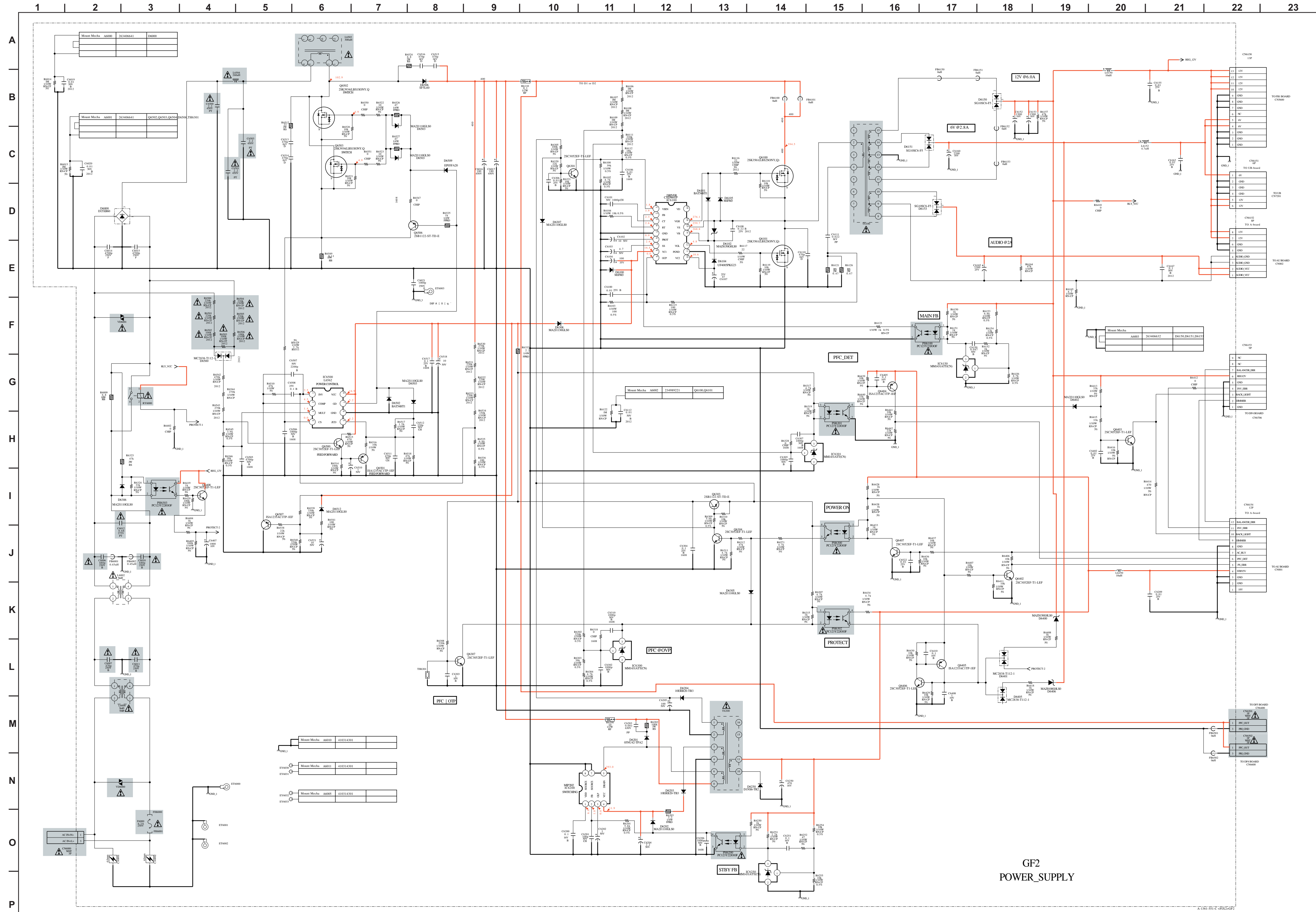


GF1
POWER_SUPPLY

GF1 [POWER SUPPLY]
COMPONENT SIDE (KDL-40VL130 ONLY)



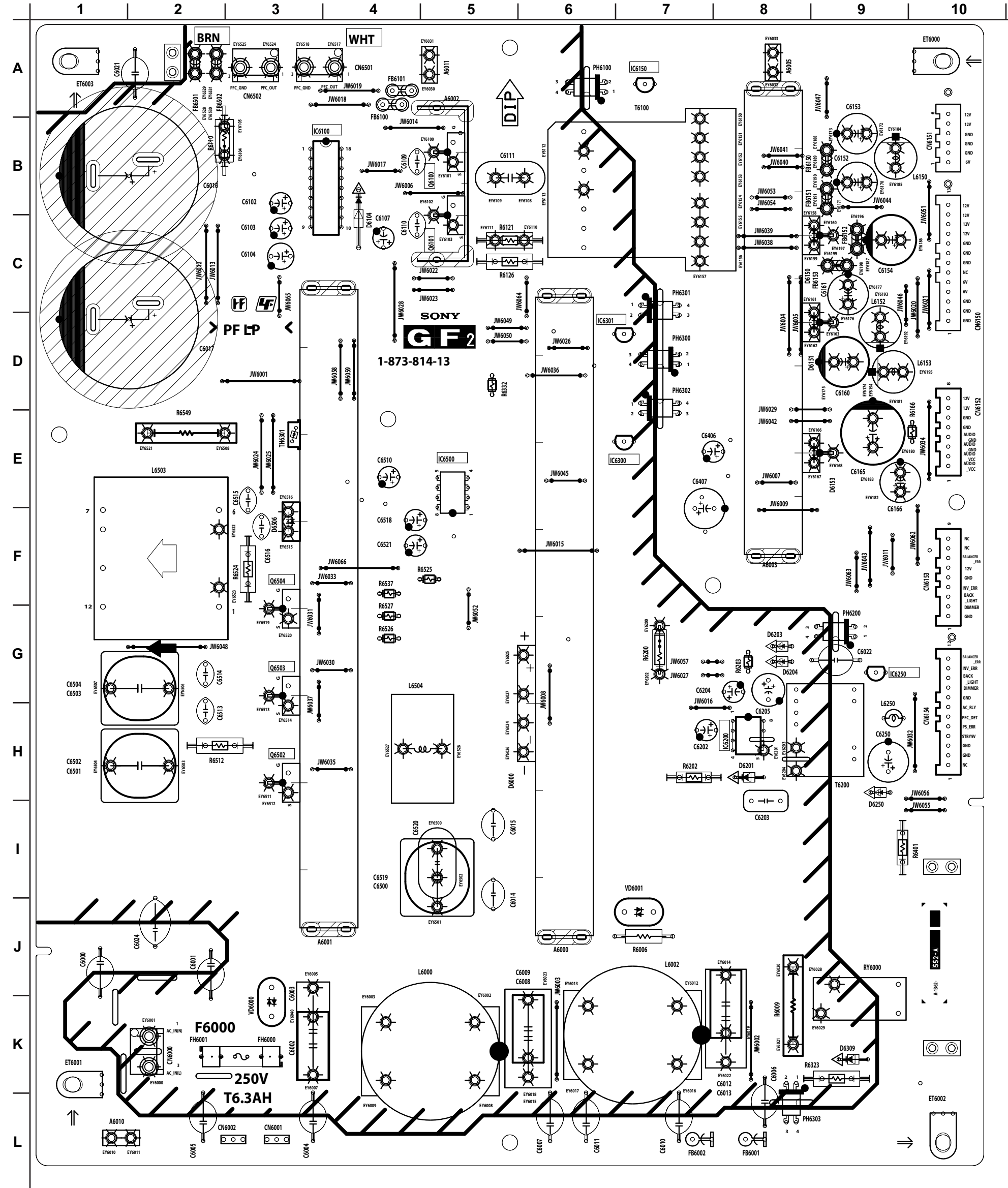
GF2 BOARD SCHEMATIC DIAGRAM (ALL EXCEPT KDL-40VL130)



GF2 POWER_SUPPLY

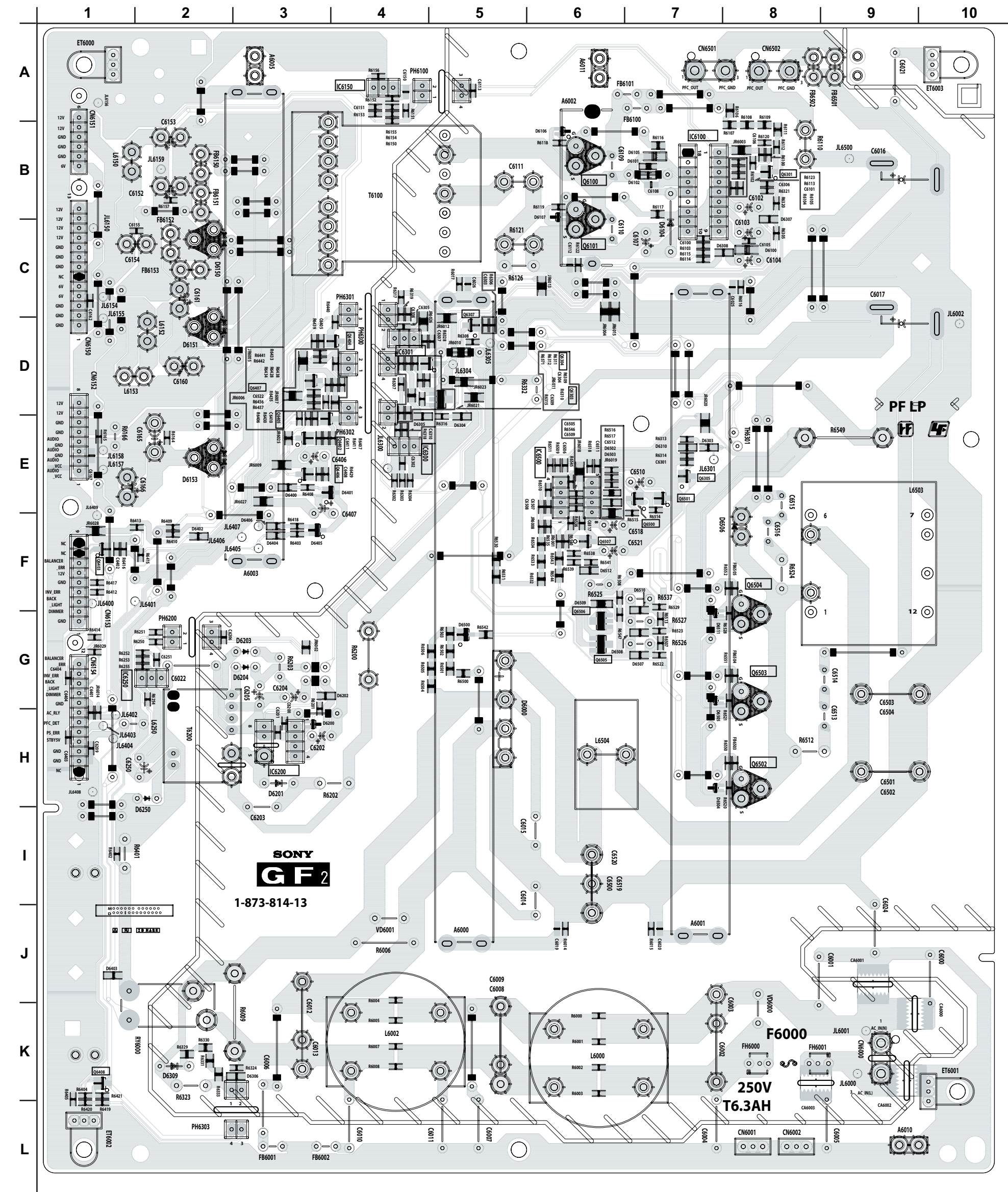
GF2 [POWER SUPPLY]

COMPONENT SIDE (ALL EXCEPT KDL-40VL130)

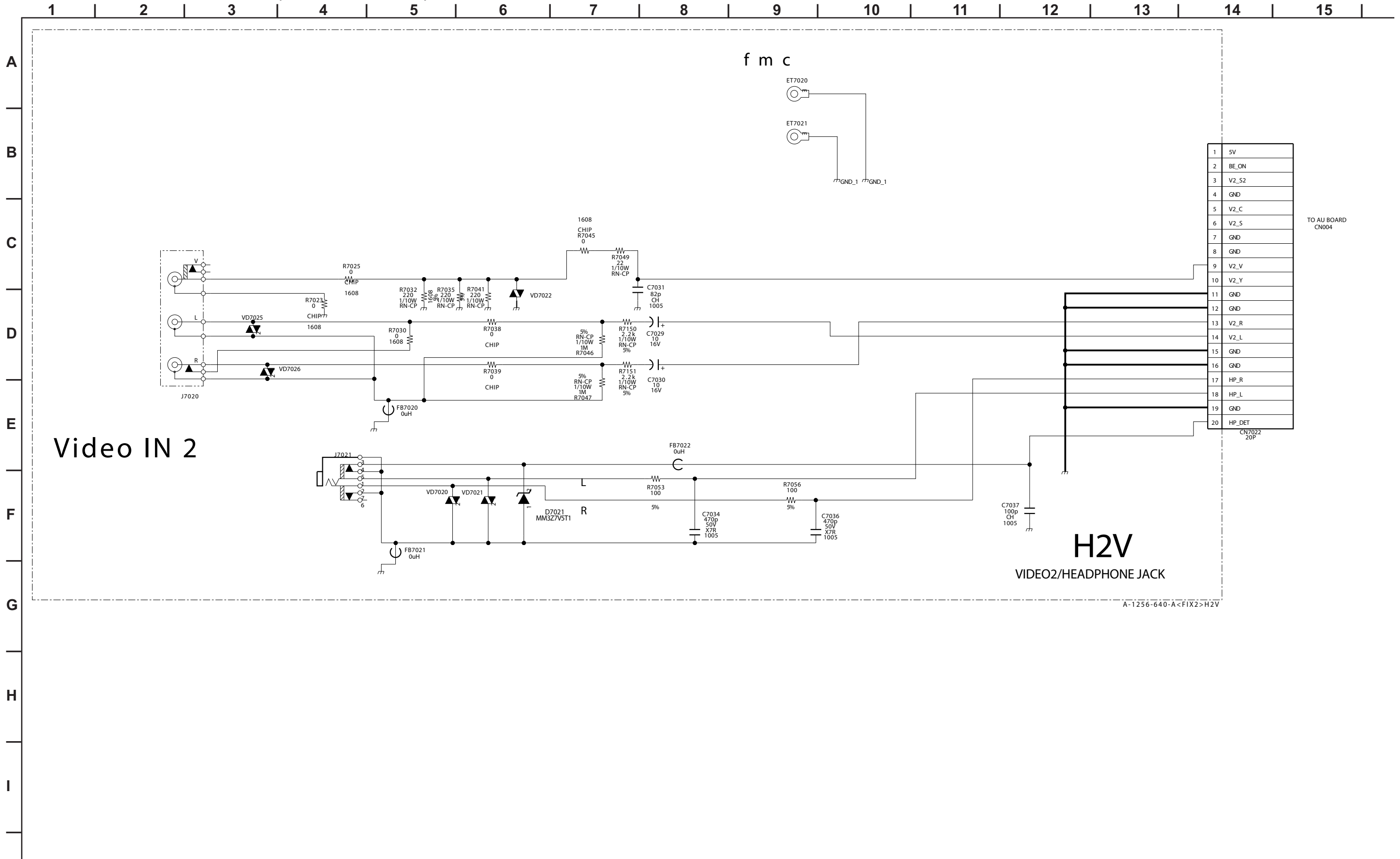


GF2 [POWER SUPPLY]

CONDUCTOR SIDE (ALL EXCEPT KDL-40VL130)



HV2 BOARD SCHEMATIC DIAGRAM (KDL-40VL130 ONLY)



1	SV
2	BE_ON
3	V2_S2
4	GND
5	V2_C
6	V2_S
7	GND
8	GND
9	V2_V
10	V2_Y
11	GND
12	GND
13	V2_R
14	V2_L
15	GND
16	GND
17	HP_R
18	HP_L
19	GND
20	HP_DET

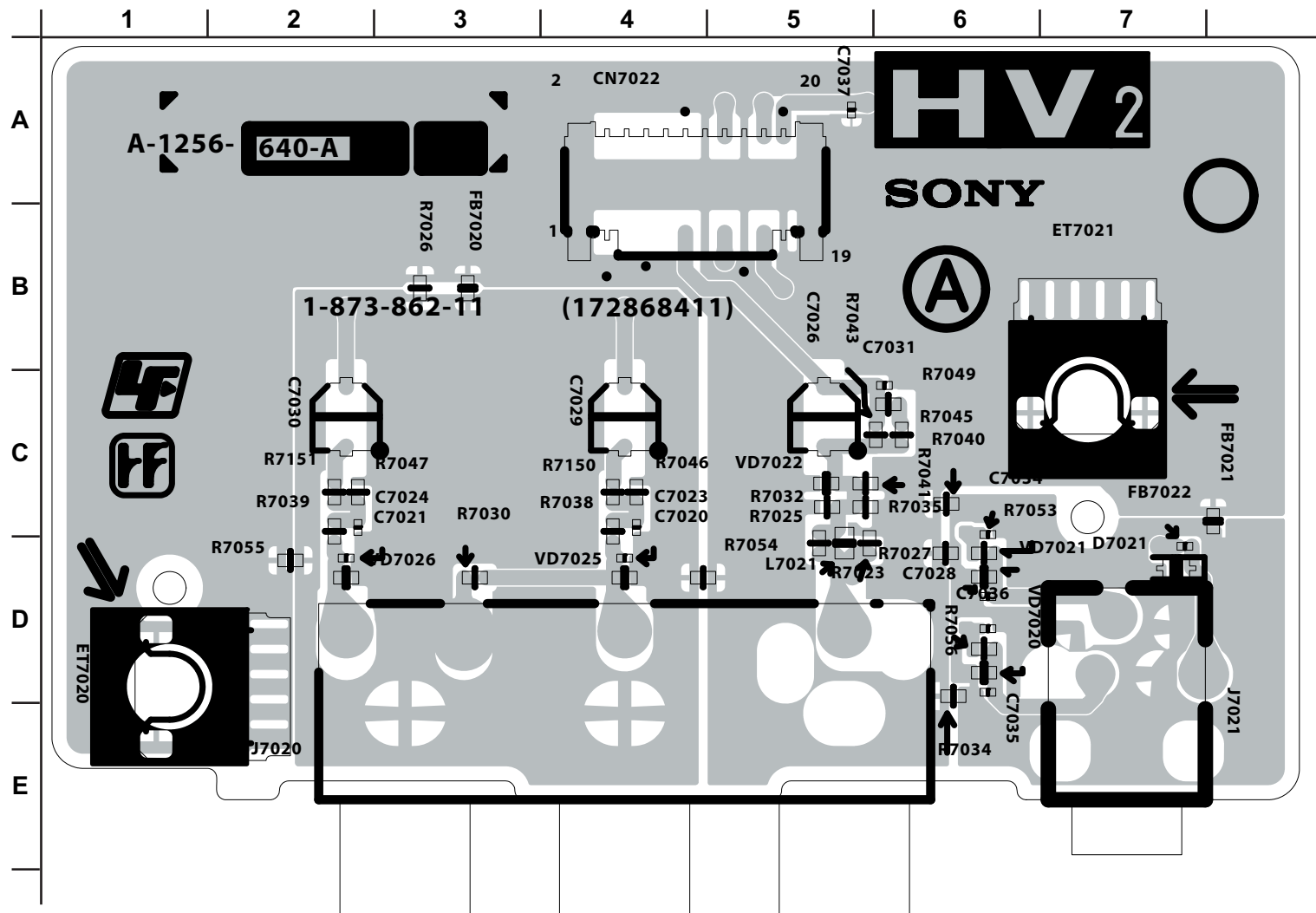
TO AU BOARD
CN004

A-1256-640-A<FIX2>H2V

HV2

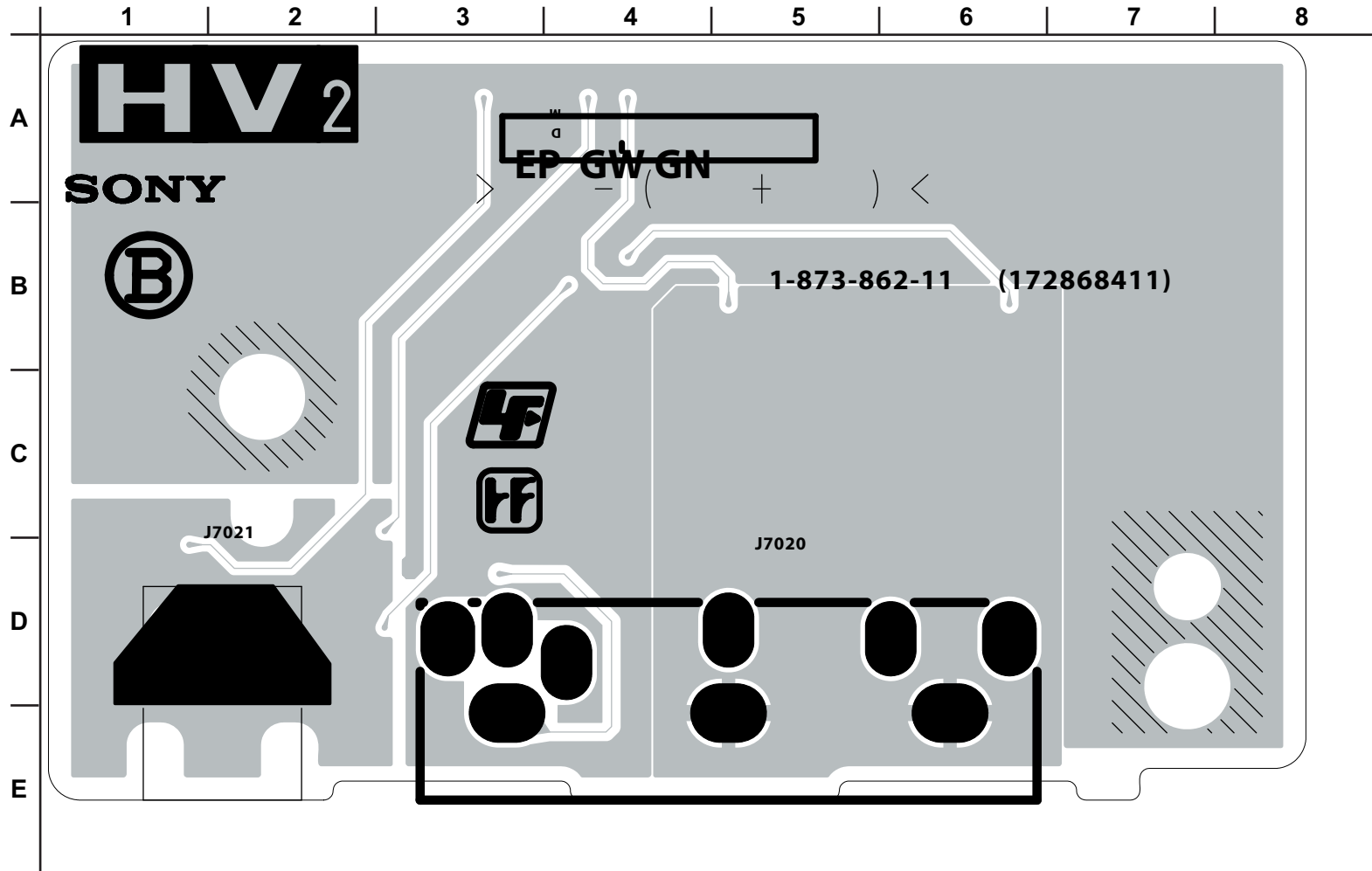
[VIDEO2, HEADPHONE JACK]

COMPONENT SIDE (KDL-40VL130 ONLY)

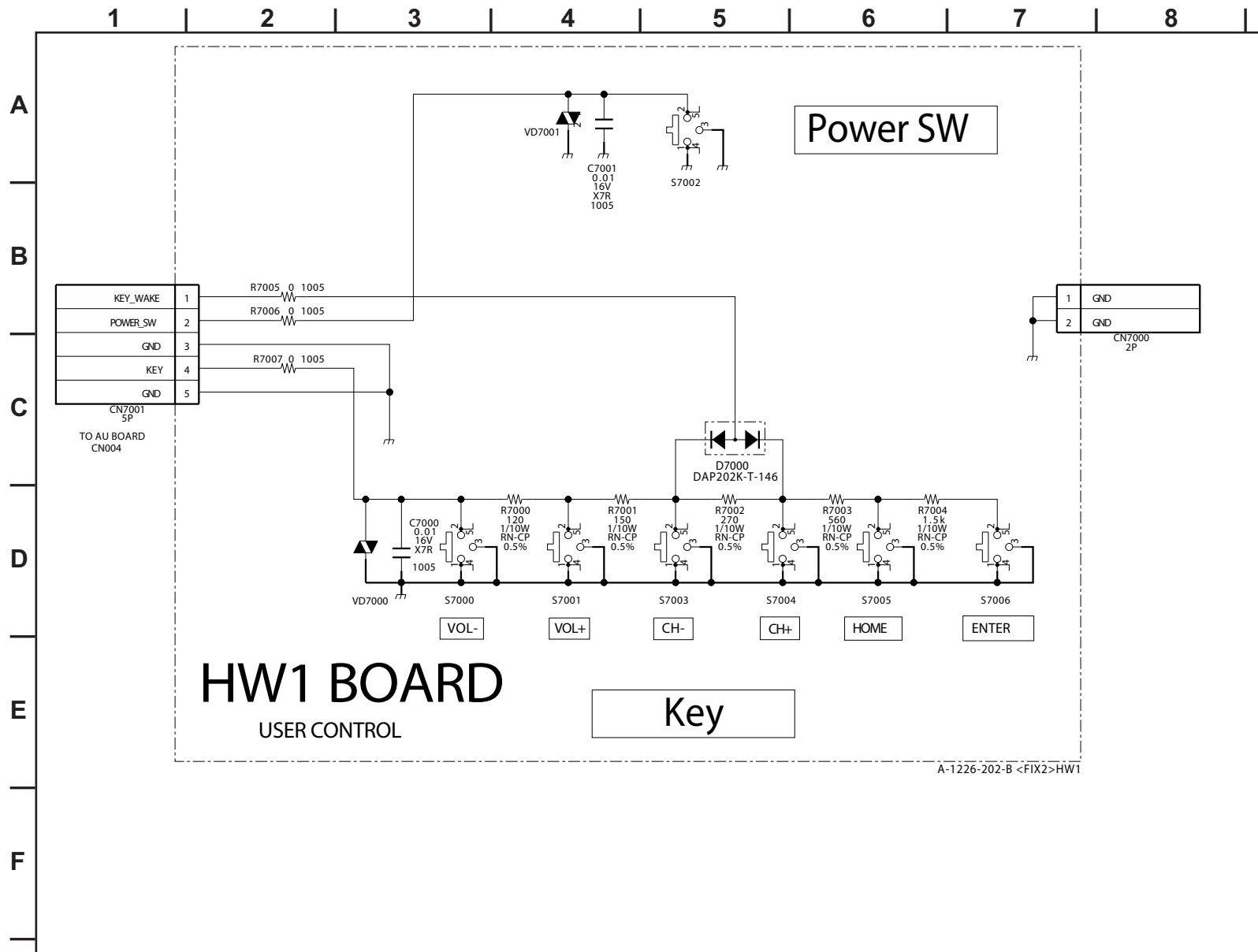


HV2

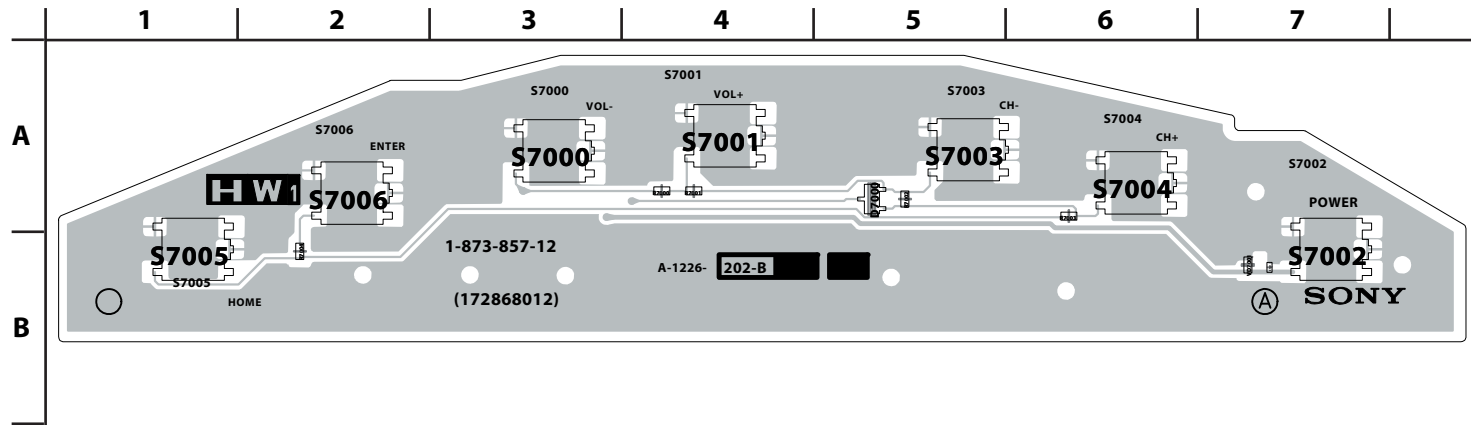
[VIDEO2, HEADPHONE JACK]
CONDUCTOR SIDE (KDL-40VL130 ONLY)



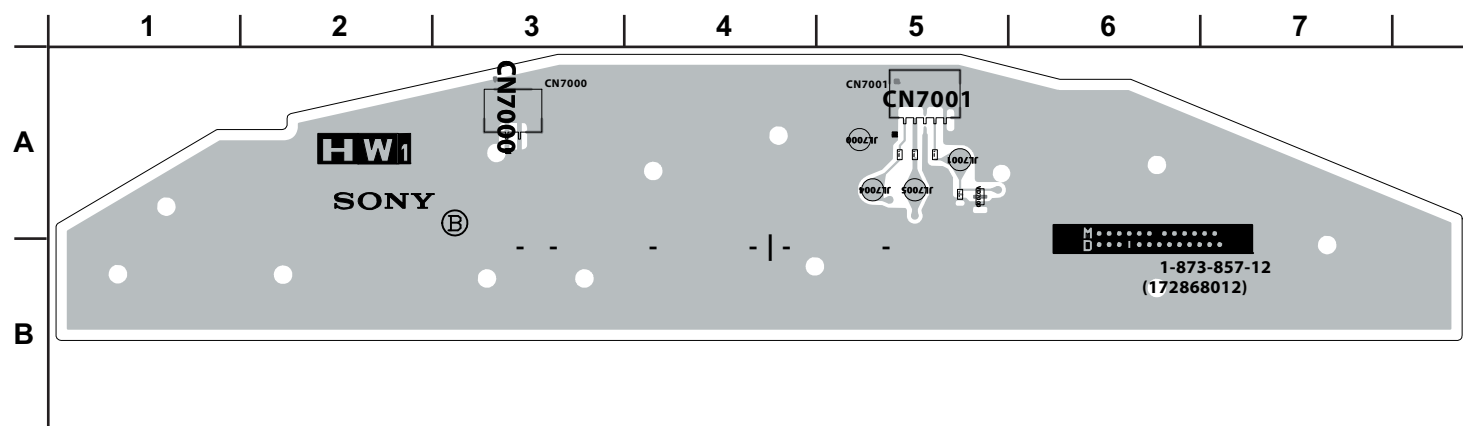
HW1 BOARD SCHEMATIC DIAGRAM



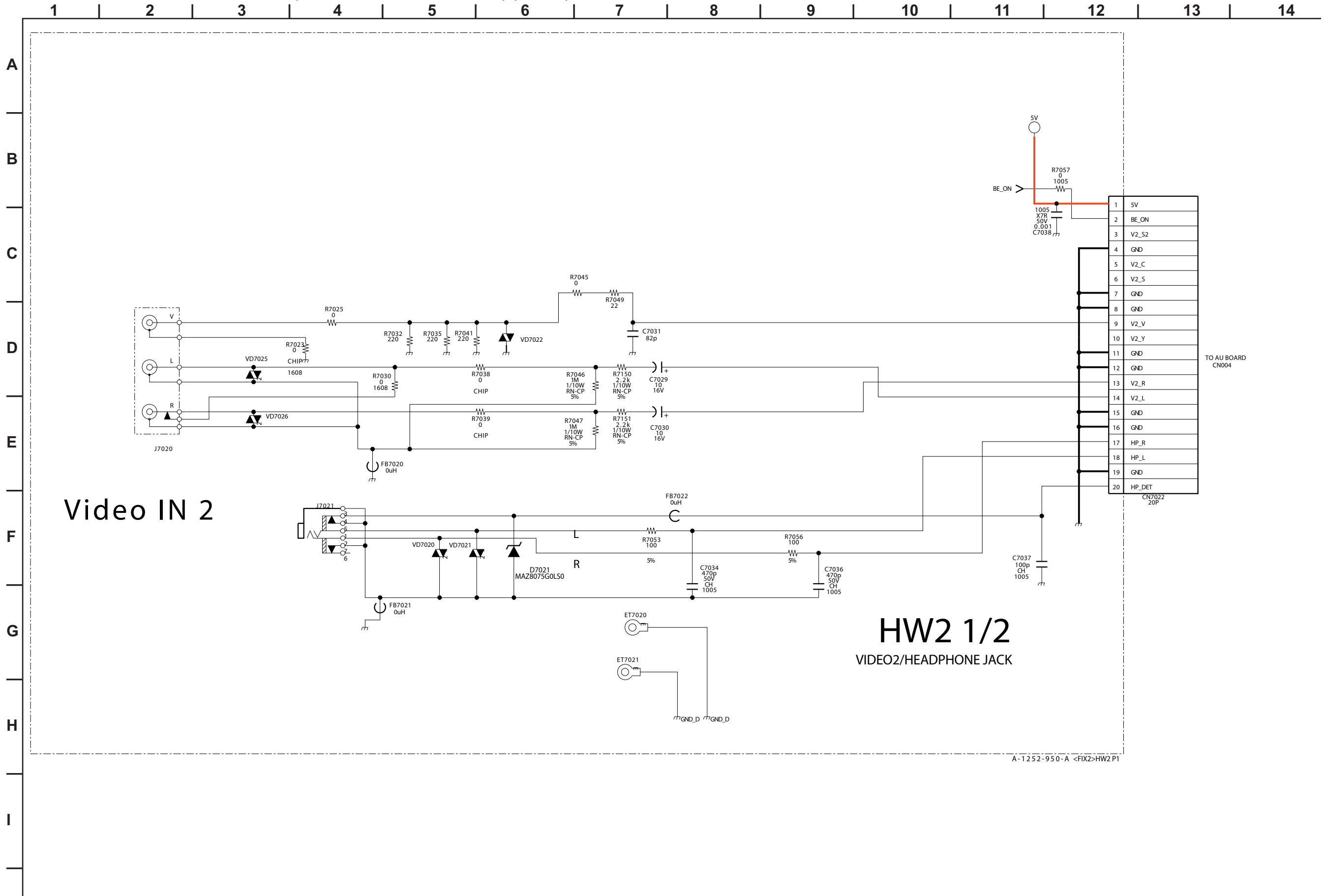
HW1 [USER CONTROL]
COMPONENT SIDE



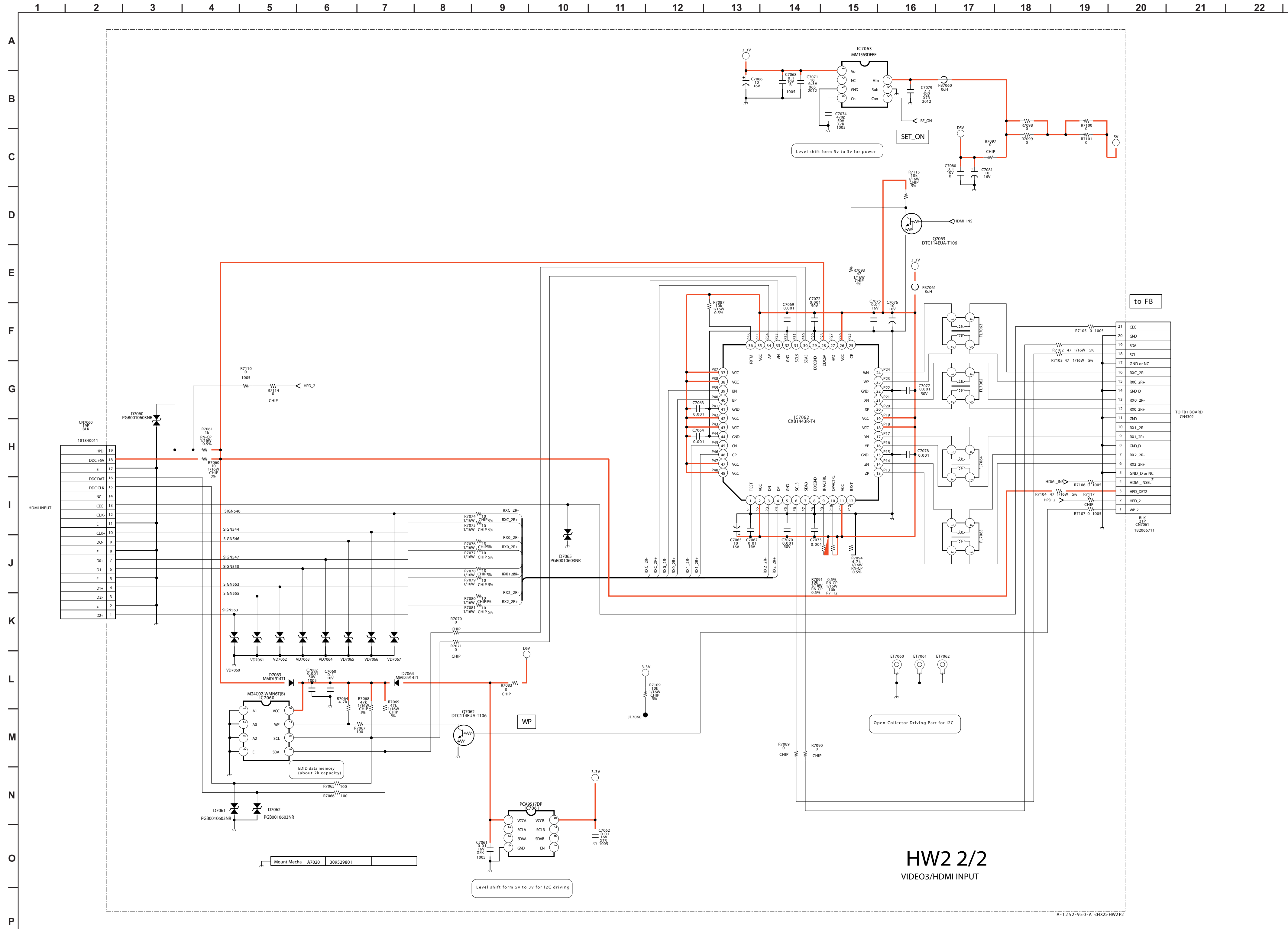
HW1 [USER CONTROL]
CONDUCTOR SIDE



HW2 BOARD SCHEMATIC DIAGRAM (ALL EXCEPT KDL-40VL130) (1 OF 2)



HW2 BOARD SCHEMATIC DIAGRAM (ALL EXCEPT KDL-40VL130) (2 OF 2)

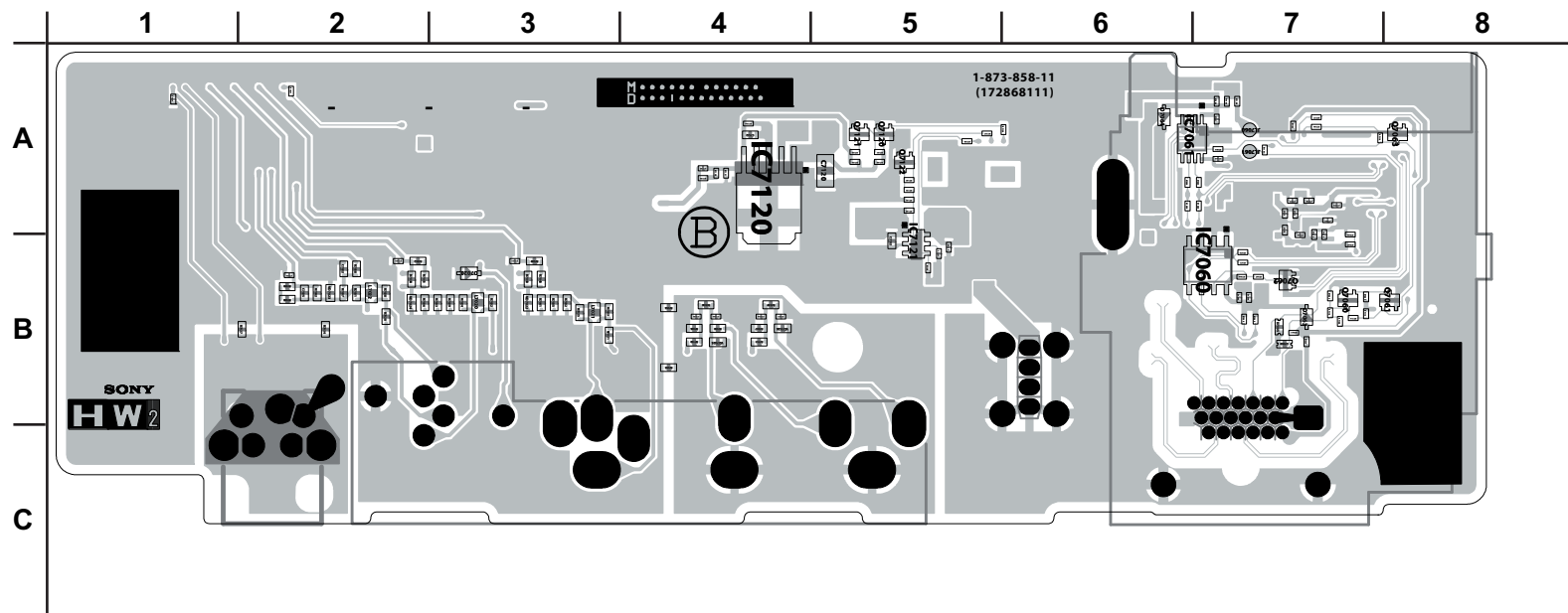


HW2 2/2
VIDEO3/HDMI INPUT

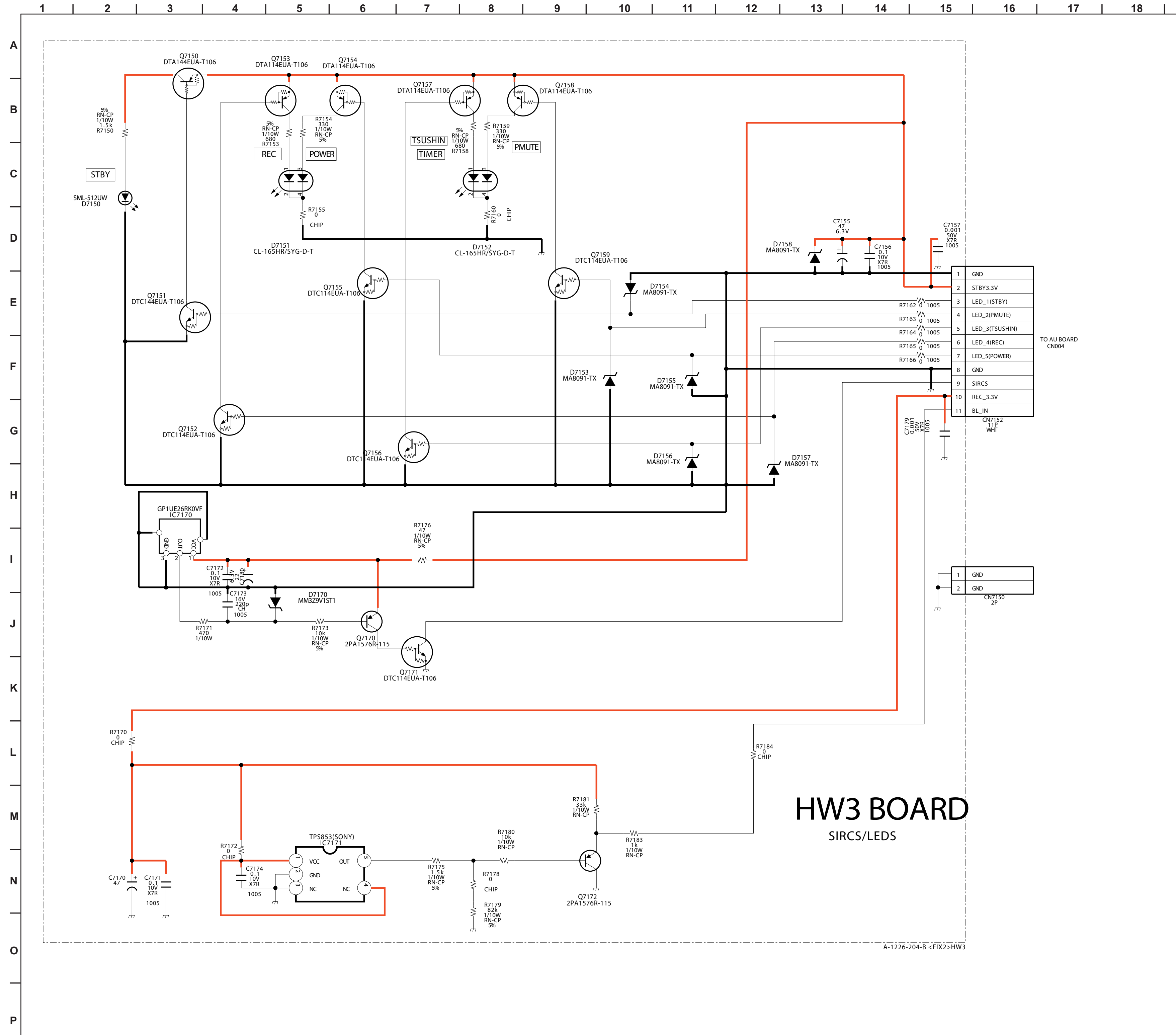
A-1252-950-A <FIX>-HW2 P2

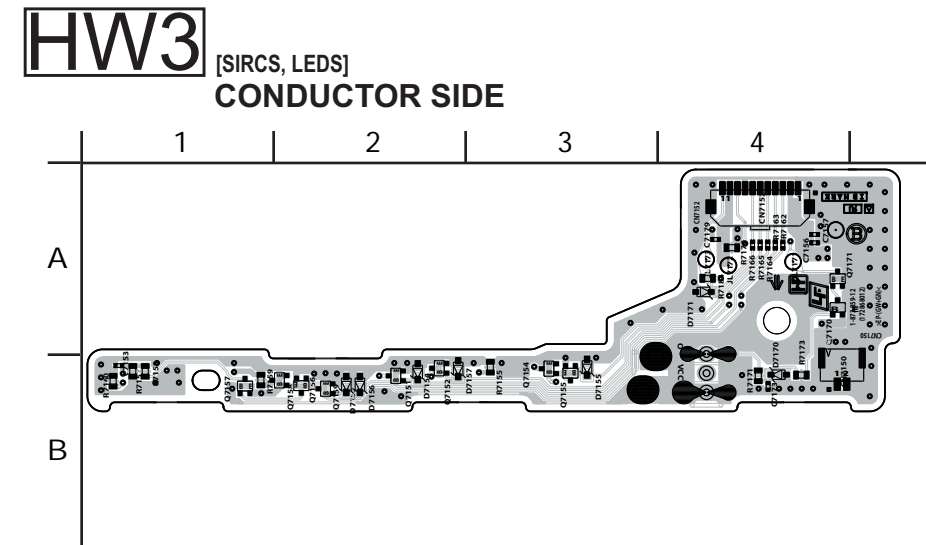
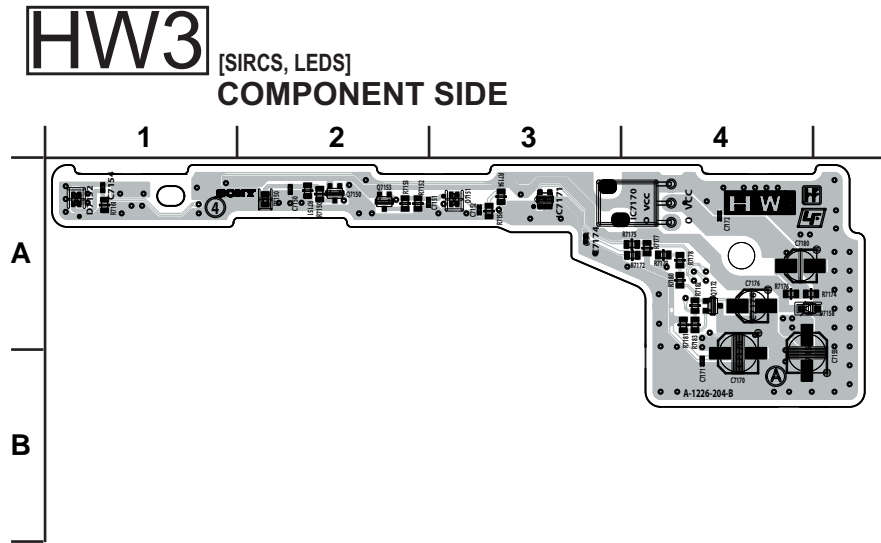
HW2

[VIDEO2, HEADPHONE JACK, VIDEO3, HDMI INPUT]
CONDUCTOR SIDE (ALL EXCEPT KDL-40VL130)

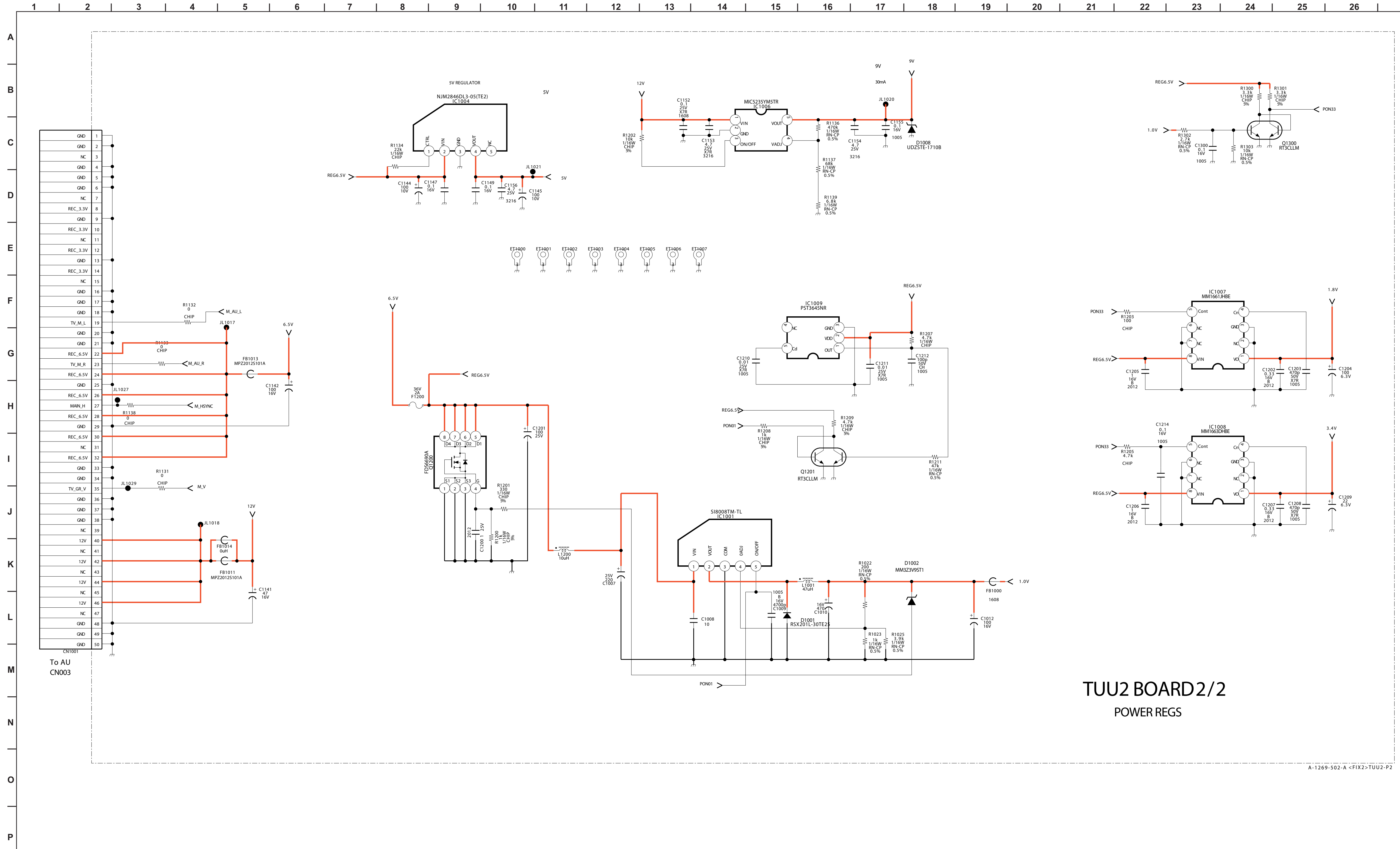


HW3 BOARD SCHEMATIC DIAGRAM





TUU2 BOARD SCHEMATIC DIAGRAM (2 OF 2)

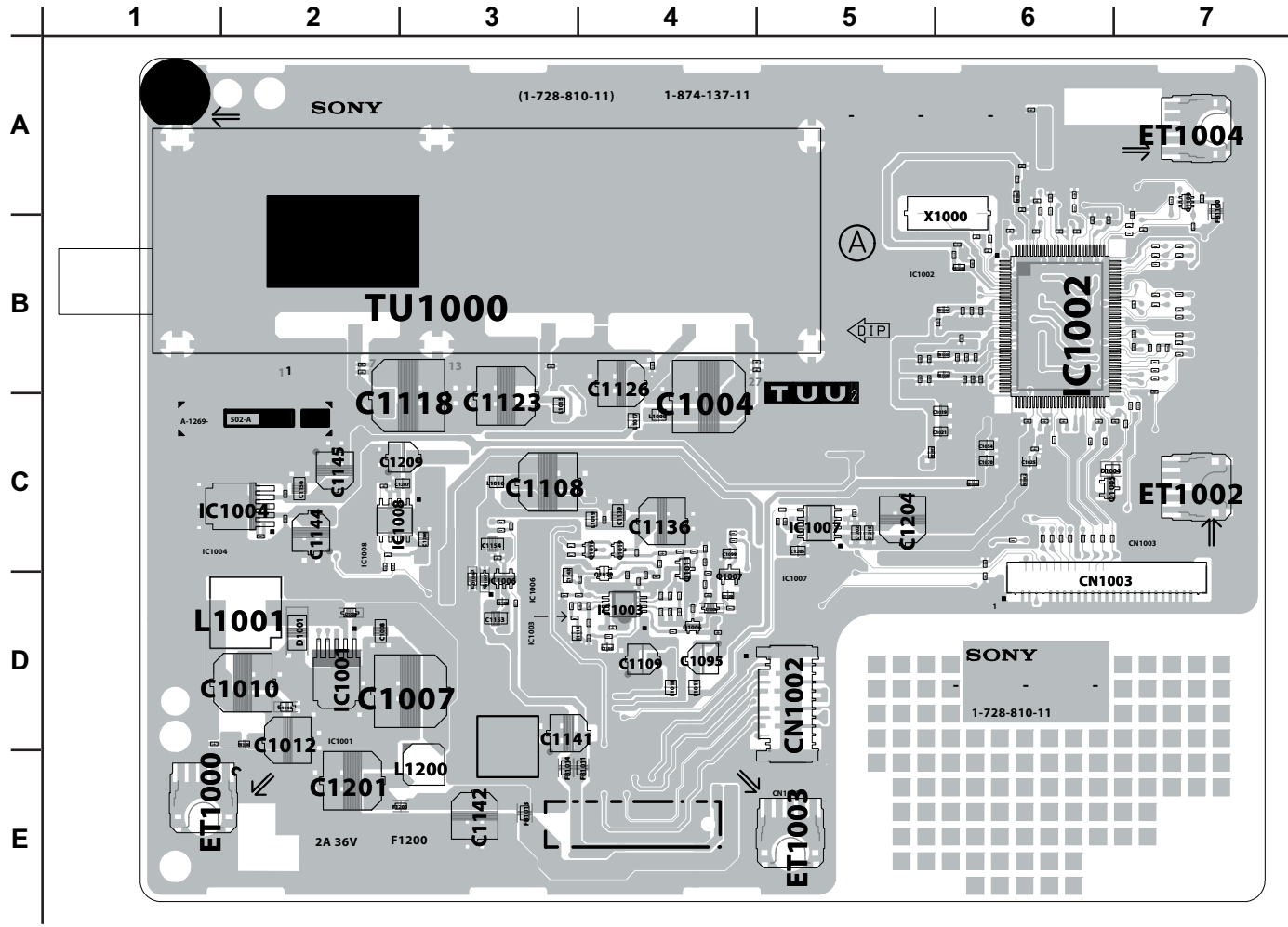


TUU2 BOARD 2/2
POWER REGS

A-1269-502-A <FIX2> TUU2-P2

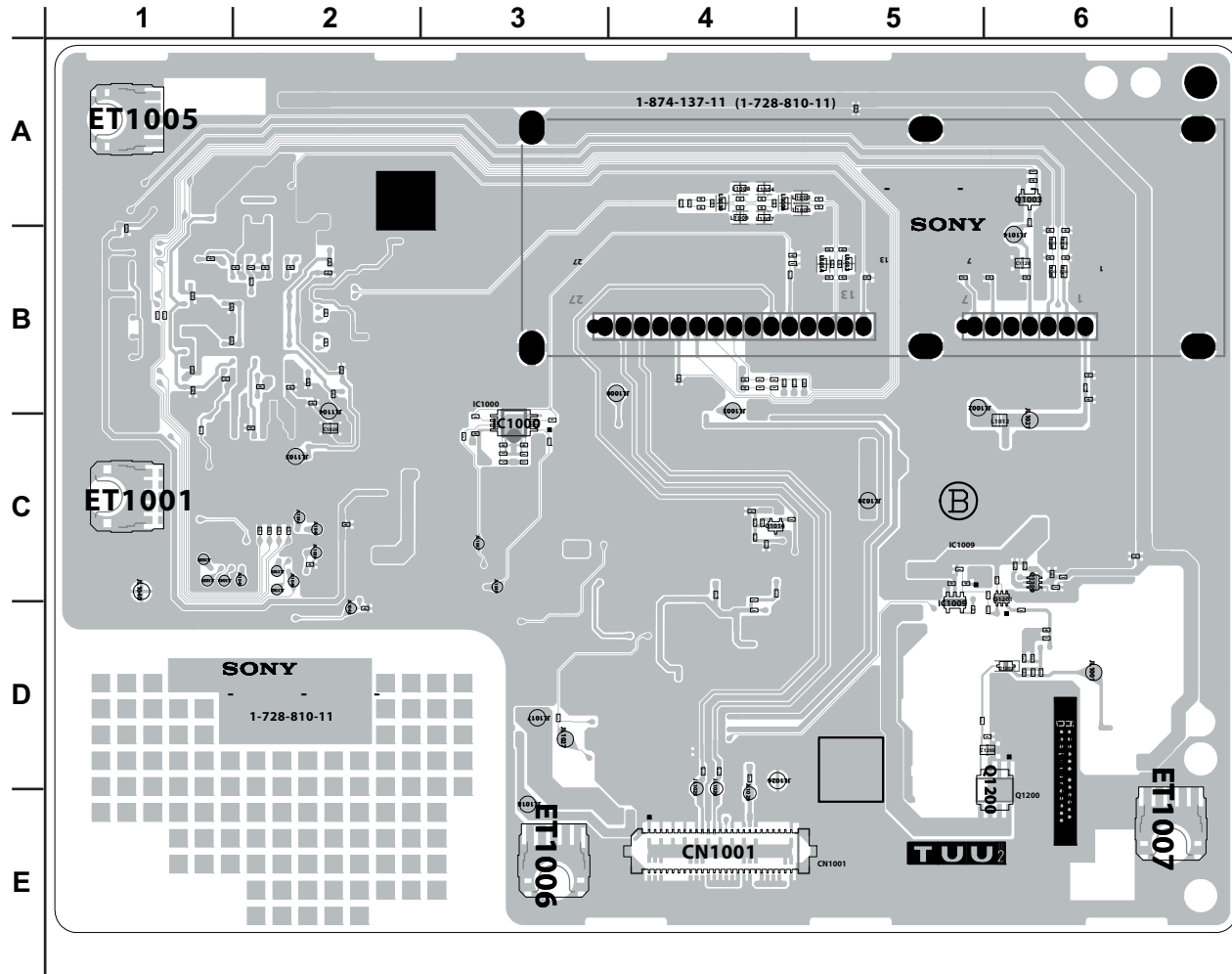
TUU2

[DEMOM, POWER REGS]
COMPONENT SIDE



TUU2

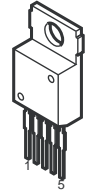
[DEMOD, POWER REGS]
CONDUCTOR SIDE



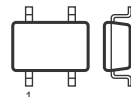
3-5. SEMICONDUCTORS

IC

BA00AST-V5

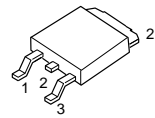


BA05FP-E2
BA09FP-E2
S-1111B33MC-NYSTFG
S-80928CNMC-G8YT2G
TC7SZ125FU(TE85R)

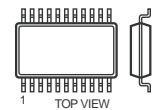


5Pin CHIP

BA18BC0FP-E2
BA25BC0FP-E2

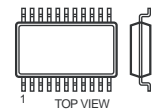


BR24L02F-WE2
CS4335-KSZR
FA5501N-TE1
LM75CIMX-3
M24128-BWMN6T(A)
M24C02-WMN6T(B)
NJM2521V(TE2)
NJM3414AV(TE2)
RC4558DR
RC4558PWR



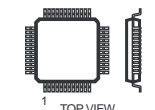
8Pin SOP

CD4052BNSR
FMS6418AM16X



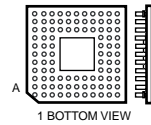
16Pin SOP

CXA2188Q-T4



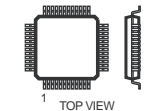
40Pin QFP

EM6A9320BI-5MG



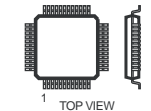
144Pin PGA

HD6433692A39FXV
HD64F3694FXV-DA4
TPA3004D2PHPR



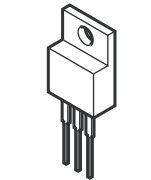
48Pin QFP

HD64F2378-12681-01

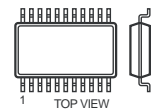


144Pin QFP

L88M05T-FA-TL

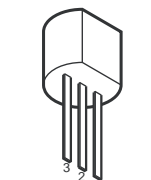


M52347FP-TE

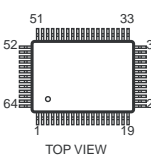


20Pin SOP

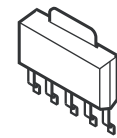
MM1431ATT



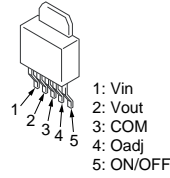
NJW1149AFH1



PQ1CY1032ZP

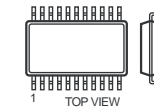


PQ1CZ41H2ZPH

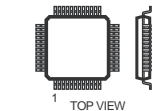


1: Vin
2: Vout
3: COM
4: Oadj
5: ON/OFF

RV5C387A-E2-FB

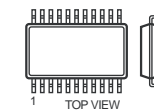


SIH9993CTG100



100Pin QFP

SN74LV132APWR
SN74LVC14APWR



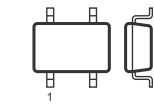
14Pin SOP

STR-A6169



8Pin DIP

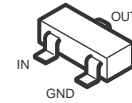
TK11819MTL



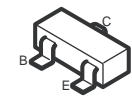
6Pin CHIP

TRANSISTOR

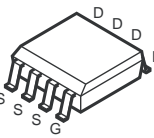
DTC114EU
DTC114EUAFT106



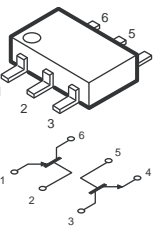
DTC114EUA-T106
DTC115EUA-T106
DTC144WKA-T146
DTC314TK-T-146
DTC323TK
DTC323TKT146
MUN2211T1
MUN2212T1
MUN5213T1
PDTC114EK-115
UN2211
2PA1576R-115
2PC4081R-115
2PD601AR-115
2SA1037AK-T146-QR
2SA1037AK-T146-R
2SA1576A-T106-QR
2SA1774R
2SA1774TL-QR
2SC1623-L5L6
2SC2412K-T-146-QR
2SC4081-R
2SC4081T106R
2SC4617R
2SC4617TL-QR
2SD2114K
2SD601A-Q-TX



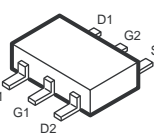
FDS6690A



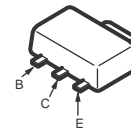
HN1B01FU-TE85R



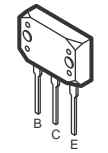
SSM6N15FU(TE85R)



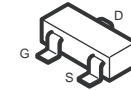
2SB1122-S
2SB1122-ST-TD-E
2SD1621-ST
2SD1621ST-TD-E



2SD2114KT146

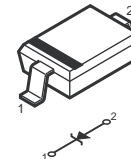


2SK2158-T2B

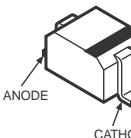


DIODE

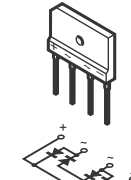
BAS316-115
EP05FA20
MM3Z10VT1
MM3Z11VT1
MM3Z13VT1
MM3Z18VST1
MM3Z22VT1
MM3Z2V4T1
MM3Z5V6ST1
MM3Z6V2ST1
MM3Z6V8ST1
MM3Z8V2ST1



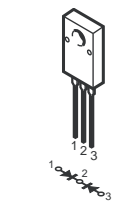
BAT54HT1
DTZ10B
HZU5.6GTRF
MA113-(TX)
MMDL914T1
RD5.6SB-T1
UDZ-TE-17-18B
UDZ-TE-17-6.2B
UDZ-TE-17-6.8B



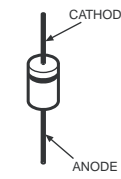
D10SBS4
D10SBS4F
D2SB60A-F04
D4SB60L



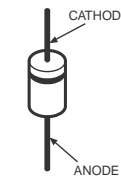
D10SC6M



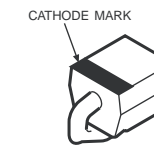
D1NL40-TA2
D1NL40-TR2
ERA22-08



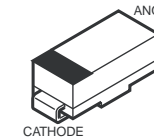
D1NS6
D1NS6-TR
ERA22-06AVRBT
UF4005PKG23
10ERB20-TB3
1N5404TU



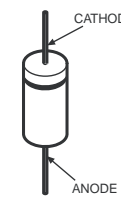
EC10QS-04
EC10QS04-TE12L5



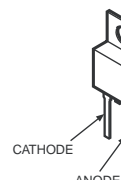
EC21QS03L-TE12L
P6SMBJ30A-5
PTZ-TE25-3.9B



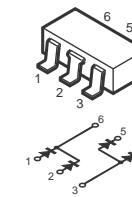
ERA22-08KFLB



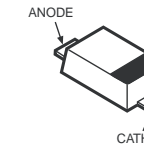
FSF05A60



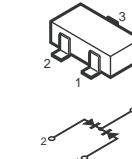
HN1D03FU-TE85L
HN1D03FU-TE85R



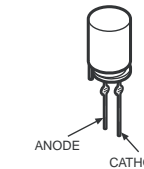
M1FM3



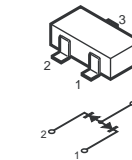
MA132WK
MA132WK-TX
MA151WK-TX
1SS184



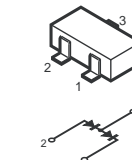
UDZSTE-1710B



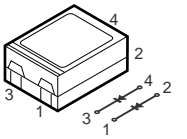
UMZ16NT106



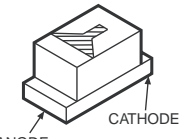
1PS302



SML-020MVT-T86



SML-310LTT86





SECTION 4: EXPLODED VIEWS


Components not identified by a part number or description are not stocked because they are seldom required for routine service.

The component parts of an assembly are indicated by the reference numbers in the far right column of the parts list and within the dotted lines of the diagram.

* Items marked with an asterisk are not stocked since they are seldom required for routine service. Expect some delay when ordering these components.

NOTE: The components identified by shading and  mark are critical for safety. Replace only with part number specified.

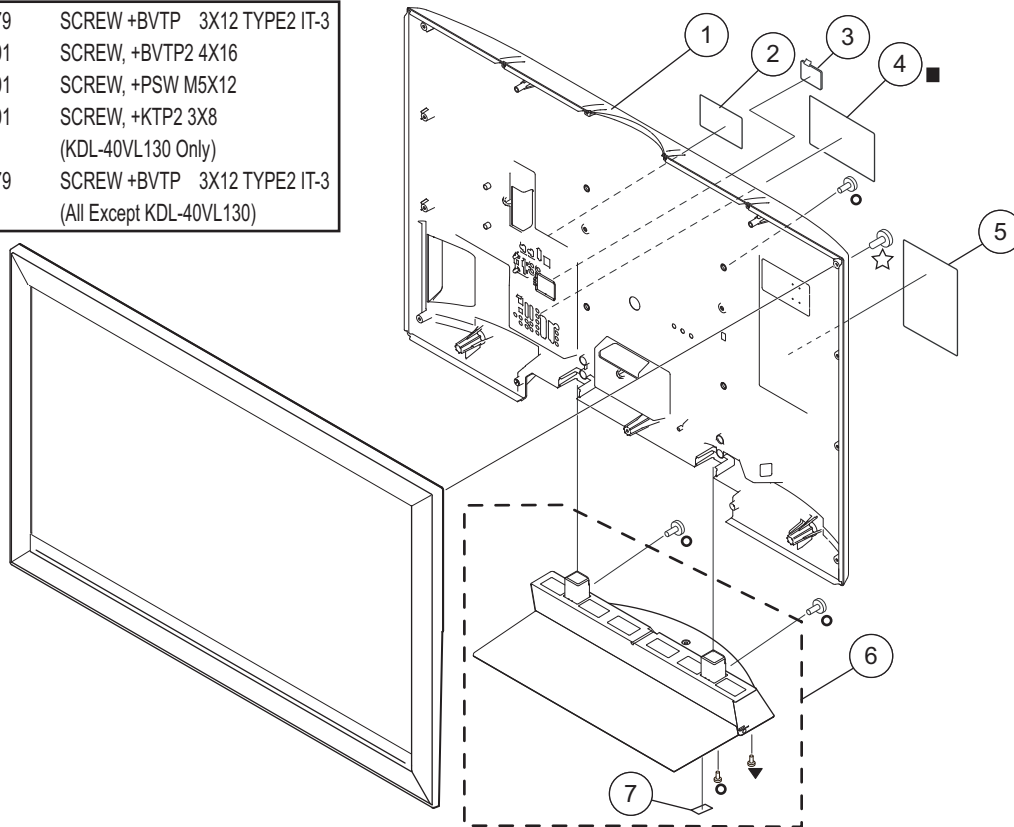
NOTE: Les composants identifiés par un trame et une marque  sont critiques pour la sécurité. Ne les remplacer que par une pièce portant le numéro spécifié.

NOTE: The components identified by a red outline and a  mark contain confidential information. Specific instructions must be adhered to whenever these components are repaired and/or replaced. See Appendix A: Encryption Key Components in the back of this manual.

4-1. REAR COVER ASSEMBLY AND STAND ASSEMBLY


(Check the [Sony Electronics Service Information](#) website for any additional service related issues for this model.)


■	7-685-648-79	SCREW +BVTP 3X12 TYPE2 IT-3
☆	2-580-640-01	SCREW, +BVTP2 4X16
○	2-580-607-01	SCREW, +PSW M5X12
▼	2-580-644-01	SCREW, +KTP2 3X8 (KDL-40VL130 Only)
▼	7-685-648-79	SCREW +BVTP 3X12 TYPE2 IT-3 (All Except KDL-40VL130)



REF. NO.	PART NO.	DESCRIPTION	[ASSEMBLY INCLUDES]	REF. NO.	PART NO.	DESCRIPTION	[ASSEMBLY INCLUDES]
1	X-2179-890-1	REAR COVER ASSY (40) (KDL-40VL130 Only)		6	A-1258-000-A	STAND (ML_B) ASSY (KDL-40VL130 Only)	[7-8]
1	X-2179-892-1	REAR COVER ASSY (52) (ALL EXCEPT KDL-40VL130)		6	A-1336-237-A	STAND (LL) ASSY (KDL-52W3000 Only)	[7-8]
2	3-106-918-01	LABEL, REAR TERMINAL		6	A-1337-588-A	STAND (LL_B) ASSY (KDL-52WL130/52WL135 Only)	[7-8]
3	2-673-535-11	SERVICE COVER		7	3-213-762-01	FOOT (15X30) (KDL-40VL130 Only)	
4	3-106-917-11	LABEL, HDMI (KDL-40VL130 Only)		7	2-675-191-12	FOOT (ALL EXCEPT KDL-40VL130)	
4	3-106-917-01	LABEL, HDMI (ALL EXCEPT KDL-40VL130)		8	3-106-490-02	COVER, STAND (ML) (KDL-40VL130 Only)	
*	5	3-273-816-01	LABEL, INFORMATION (KDL-40VL130 Only)	8	3-213-177-01	COVER, STAND (LL) (KDL-52W3000 Only)	
*	5	3-218-452-01	LABEL, INFORMATION (KDL-52W3000 Only)	8	3-213-177-11	COVER, STAND (LL) (KDL-52WL130/52WL135 Only)	
*	5	3-273-817-01	LABEL, INFORMATION (KDL-52WL130 Only)				
*	5	3-295-147-01	LABEL, INFORMATION (KDL-52WL135 Only)				

NOTE: The components identified by shading and  mark are critical for safety. Replace only with part number specified.

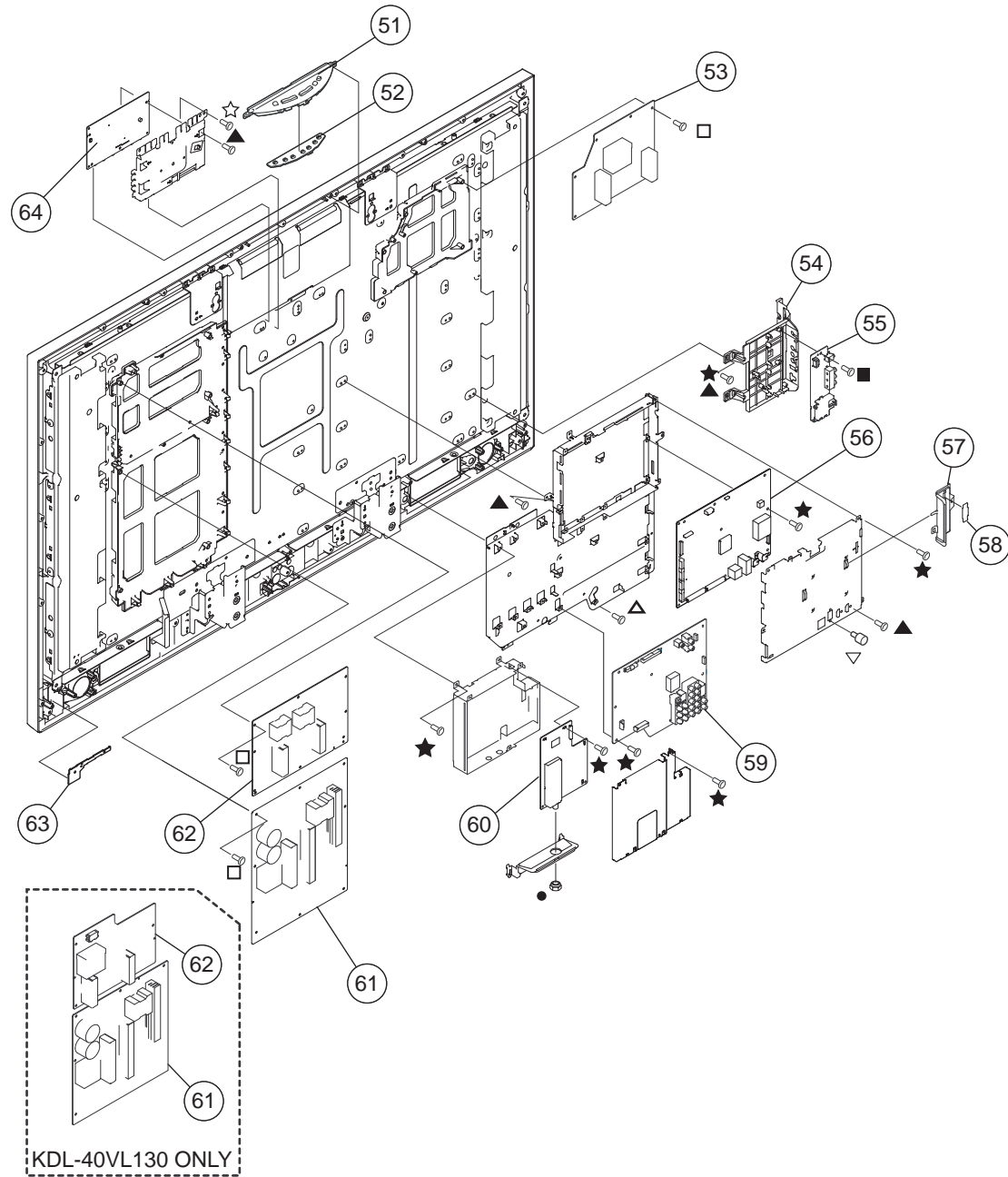
NOTE: Les composants identifiés par un trame et une marque  sont critiques pour la sécurité. Ne les remplacer que par une pièce portant le numéro spécifié.




NOTE: The components identified by a red outline and a  mark contain confidential information. Specific instructions must be adhered to whenever these components are repaired and/or replaced. See Appendix A: Encryption Key Components in the back of this manual.


4-2. CHASSIS


(Check the [Sony Electronics Service Information](#) website for any additional service related issues for this model.)


- 7-685-648-79 SCREW +BVTP 3X12 TYPE2 IT-3
- 2-674-965-51 SCREW, +PSW 3SG
- ★ 2-580-629-01 SCREW, +BVST 3X8
- ▲ 2-580-630-01 SCREW, +BVST 4X8
- 3-682-691-00 NUT, WASHER HEXAGON
- ▽ 4-635-966-01 SCREW (HEX)
- ▲ 2-580-591-01 SCREW, +PSW M3X5
- ☆ 7-682-948-01 SCREW +PSW 3X8 (KDL-52WL135 Only)



REF. NO.	PART NO.	DESCRIPTION	[ASSEMBLY INCLUDES]	REF. NO.	PART NO.	DESCRIPTION	[ASSEMBLY INCLUDES]
51	X-2176-664-2	BUTTON, MULTI ASSEMBLY		57	3-106-942-02	BRACKET, CARD	
52	A-1226-202-B	HW1 BOARD, MOUNTED		58	3-270-441-01	COVER, MS (H)	
53	A-1253-588-B	DF5 BOARD, MOUNTED		59	A-1433-191-A	AU BOARD, COMPLETE (KDL-40VL130 Only)	
54	X-2178-834-2	SIDE TERMINAL ASSEMBLY (KDL-40VL130 Only)		59	A-1362-635-A	AU BOARD, COMPLETE (ALL EXCEPT KDL-40VL130)	
54	X-2178-833-2	SIDE TERMINAL ASSEMBLY (ALL EXCEPT KDL-40VL130)		60	A-1269-502-A	TUU2 BOARD, MOUNTED (The tuner [FSS BTF-CA411Z] is part of the TUU2 Board and cannot be ordered separately.)	
55	A-1256-640-A	HV2 BOARD, MOUNTED (KDL-40VL130 Only)		* 61	A-1361-280-C	GF1 BOARD, COMPLETE (KDL-40VL130 Only)	
55	A-1361-955-A	HW2 BOARD, COMPLETE (ALL EXCEPT KDL-40VL130)		61	A-1362-553-B	GF2 BOARD, COMPLETE (ALL EXCEPT KDL-40VL130)	
56	 A-1362-639-A	FB3 BOARD, COMPLETE (KDL-40VL130 Only)		62	A-1256-156-B	DF1 BOARD, COMPLETE (KDL-40VL130 Only)	
56	 A-1362-638-A	FB1 BOARD, COMPLETE (KDL-52W3000/52WL130 SN 8,000,001 to 8,099,999 and SN 8,500,001 to 8,599,999 Only)		62	A-1253-587-B	DF4 BOARD, MOUNTED (ALL EXCEPT KDL-40VL130)	
56	 A-1419-002-A	FB1 BOARD, COMPLETE (KDL-52WL135 and (KDL-52W3000/52WL130 SN 8,100,001 to 8,499,999 and SN 8,600,001 and Up Only)		63	A-1226-204-B	HW3 BOARD, MOUNTED	
				64	A-1519-918-A	UB2 BOARD, COMPLETE (KDL-52WL135 Only)	

NOTE: The components identified by shading and  mark are critical for safety. Replace only with part number specified.

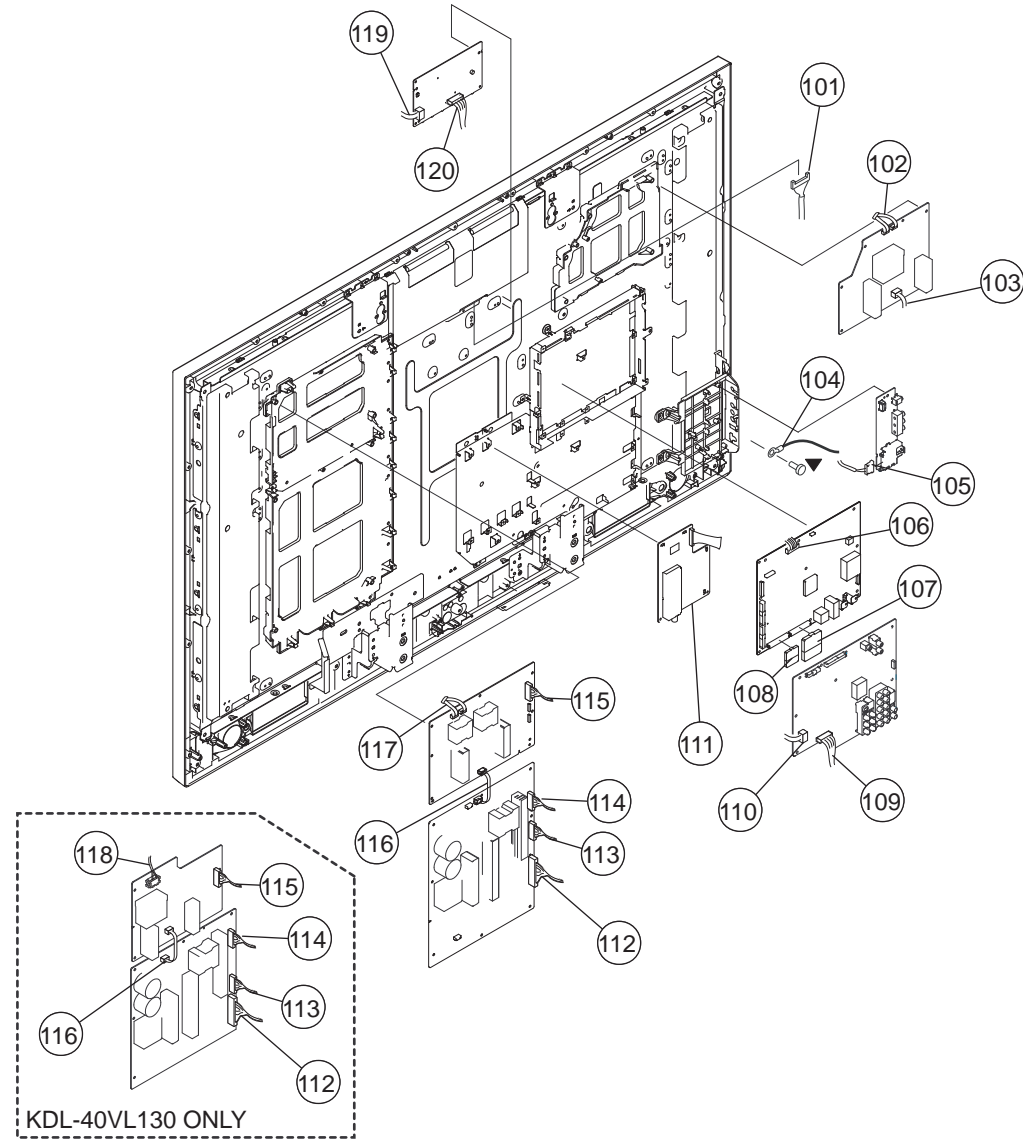
NOTE: Les composants identifiés par un trame et une marque  sont critiques pour la sécurité. Ne les remplacer que par une pièce portant le numéro spécifié.

NOTE: The components identified by a red outline and a  mark contain confidential information. Specific instructions must be adhered to whenever these components are repaired and/or replaced. See Appendix A: Encryption Key Components in the back of this manual.

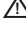
4-3. CONNECTORS

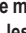
(Check the [Sony Electronics Service Information](#) website for any additional service related issues for this model.)


▼ 2-580-599-01 SCREW, +PSW M4X6



REF. NO.	PART NO.	DESCRIPTION	[ASSEMBLY INCLUDES]	REF. NO.	PART NO.	DESCRIPTION	[ASSEMBLY INCLUDES]
101	1-834-310-11	LEAD WIRE WITH CONNECTOR (LVDS) (KDL-40VL130 Only)		111	1-910-036-74	FFC CONNECTOR ASSEMBLY (TU) 49P	
101	1-834-309-11	LEAD WIRE WITH CONNECTOR (LVDS) (KDL-52W3000/52WL130 Only)		112	1-910-036-80	XA CONNECTOR ASSEMBLY (A) (KDL-40VL130 Only)	
102	1-834-262-11	CONNECTOR ASSEMBLY (ALL EXCEPT KDL-40VL130)		112	1-910-036-94	XA CONNECTOR ASSEMBLY (A) (ALL EXCEPT KDL-40VL130)	
103	1-910-036-99	CONNECTOR ASSEMBLY (DF5) (ALL EXCEPT KDL-40VL130)		113	1-910-036-82	XA CONNECTOR ASSEMBLY (DF1) 9P (KDL-40VL130 Only)	
104	1-910-039-02	EARTH CONNECTOR ASSEMBLY (HV2) (KDL-40VL130 Only)		113	1-910-036-95	XA CONNECTOR ASSEMBLY (DF4) 9P (ALL EXCEPT KDL-40VL130)	
104	1-910-039-50	FASTEN CONNECTOR ASSEMBLY (HW2) (ALL EXCEPT KDL-40VL130)		114	1-910-037-39	XA CONNECTOR ASSEMBLY (GF) 13P (KDL-40VL130 Only)	
105	1-834-140-11	LEAD WIRE WITH CONNECTOR(LVDS) (ALL EXCEPT KDL-40VL130)		114	1-910-036-93	XA CONNECTOR ASSEMBLY (FB) 13P (KDL-52W3000/52WL130 Only)	
106	1-910-037-40	MO1929 CONNECTOR ASSEMBLY (BF) 20P		114	1-910-045-11	XA CONNECTOR ASSY (FB) 13P (KDL-52WL135 Only)	
107	1-821-375-11	BOARD TO BOARD CONNECTOR 80P		115	1-910-036-86	XA CONNECTOR ASSEMBLY (BL) 5P (KDL-40VL130 Only)	
108	1-821-376-11	BOARD TO BOARD CONNECTOR 50P		115	1-910-036-92	XA CONNECTOR ASSEMBLY (BL) 7P (ALL EXCEPT KDL-40VL130)	
109	1-910-037-36	MO1929 CONNECTOR ASSEMBLY (H) 40P (KDL-40VL130 Only)		116	1-910-036-81	VH CONNECTOR ASSEMBLY (DF1) 3P (KDL-40VL130 Only)	
109	1-910-037-38	MO1929 CONNECTOR ASSEMBLY (H) 40P (KDL-52W3000/52WL130 Only)		116	1-910-037-32	VH CONNECTOR ASSEMBLY (DF4) 3P (ALL EXCEPT KDL-40VL130)	
109	1-910-043-52	MO1929 CONNECTOR ASSEMBLY (H) 40P (KDL-52WL135 Only)		117	1-834-264-11	CONNECTOR ASSEMBLY (ALL EXCEPT KDL-40VL130)	
110	1-910-042-12	VH CONNECTOR ASSY (SP) 4P (KDL-40VL130 Only)		118	1-834-261-11	CONNECTOR ASSEMBLY (KDL-40VL130 Only)	
110	1-910-036-96	VH CONNECTOR ASSEMBLY (SP) 4P (ALL EXCEPT KDL-40VL130)		119	1-910-037-04	XA CONNECTOR ASSY (UB) 6P (KDL-52WL135 Only)	
				120	1-834-996-11	FLEXIBLE FLAT CABLE 51P (KDL-52WL135 Only)	

NOTE: The components identified by shading and  mark are critical for safety. Replace only with part number specified.

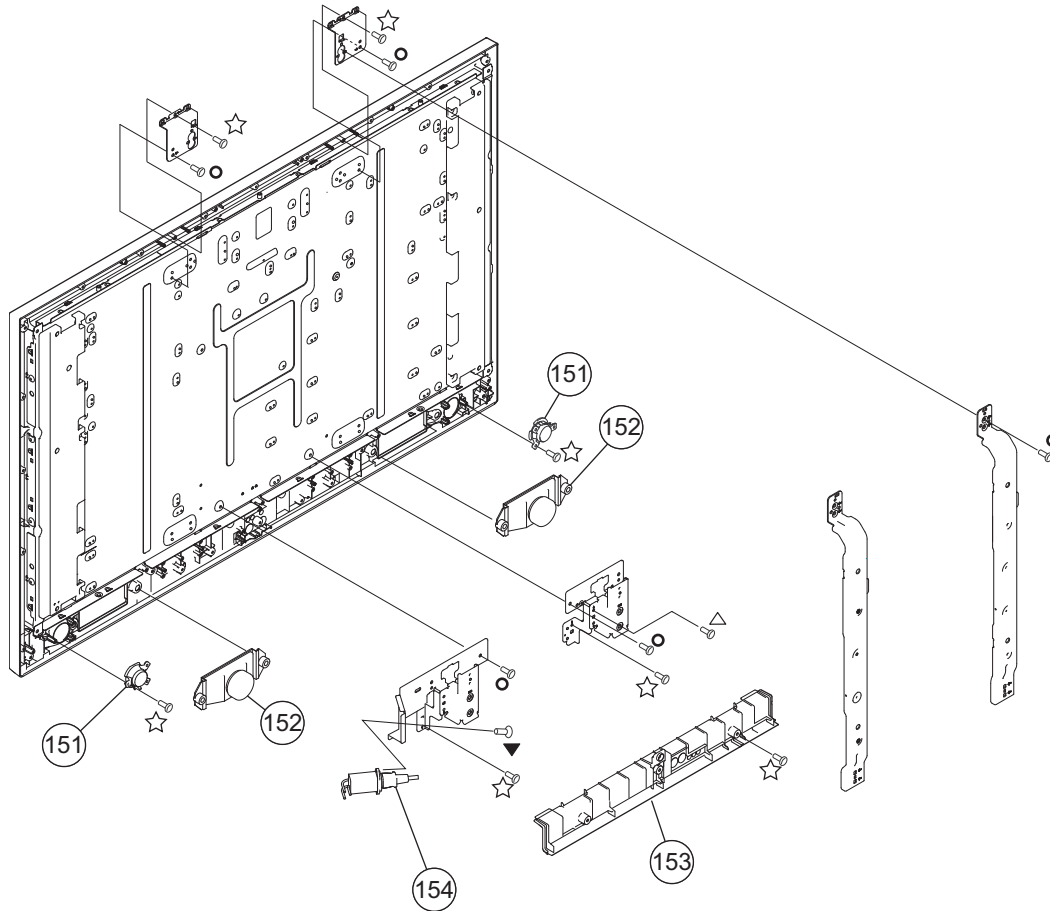
NOTE: Les composants identifiés par un trame et une marque  sont critiques pour la sécurité. Ne les remplacer que par une pièce portant le numéro spécifié.


NOTE: The components identified by a red outline and a  mark contain confidential information. Specific instructions must be adhered to whenever these components are repaired and/or replaced. See Appendix A: Encryption Key Components in the back of this manual.


4-4. SPEAKERS

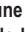
(Check the [Sony Electronics Service Information](#) website for any additional service related issues for this model.)


☆	2-580-640-01	SCREW, +BVTP2 4X16
▼	2-596-649-01	+KTT 3X10 (S TYPE)
○	2-580-606-01	SCREW, +PSW M5X8
△	2-580-630-01	SCREW, +BVST 4X8



REF. NO.	PART NO.	DESCRIPTION	[ASSEMBLY INCLUDES]	REF. NO.	PART NO.	DESCRIPTION	[ASSEMBLY INCLUDES]
151	1-826-695-11	LOUDSPEAKER (40MM TWEETER) (ALL EXCEPT KDL-40VL130)		153	X-2179-578-1	UNDER COVER (52) ASSEMBLY (ALL EXCEPT KDL-40VL130)	
152	1-826-699-11	LOUDSPEAKER (4.2X15CM) (KDL-40VL130 Only)			1-819-729-14	INLET, AC (WITH NOISE FILTER)	
152	1-826-697-11	LOUDSPEAKER (13X7CM) (ALL EXCEPT KDL-40VL130)					

NOTE: The components identified by shading and  mark are critical for safety. Replace only with part number specified.

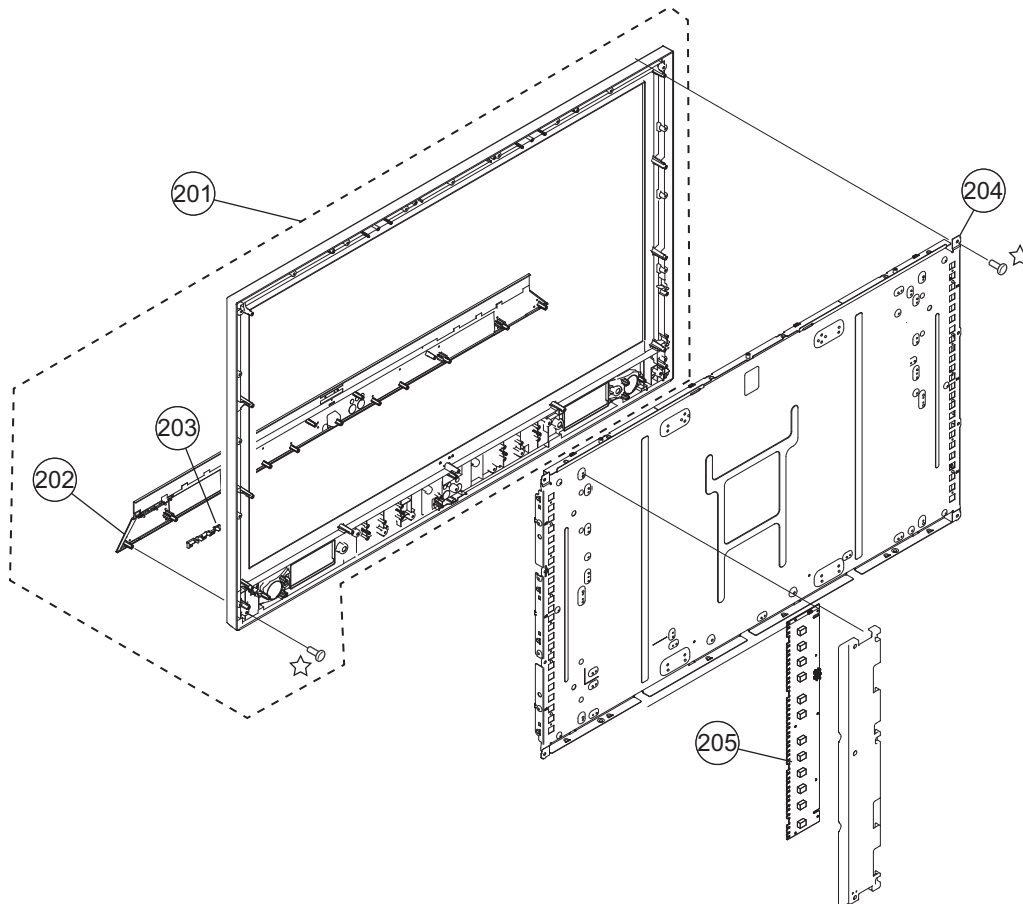
NOTE: Les composants identifiés par un trame et une marque  sont critiques pour la sécurité. Ne les remplacer que par une pièce portant le numéro spécifié.

NOTE: The components identified by a red outline and a  mark contain confidential information. Specific instructions must be adhered to whenever these components are repaired and/or replaced. See Appendix A: Encryption Key Components in the back of this manual.

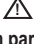
4-5. BEZEL ASSEMBLY AND LCD PANEL (KDL-40VL130 ONLY)


(Check the [Sony Electronics Service Information](#) website for any additional service related issues for this model.)


 2-580-640-01 SCREW, +BVTP2 4X16



REF. NO.	PART NO.	DESCRIPTION	[ASSEMBLY INCLUDES]	REF. NO.	PART NO.	DESCRIPTION	[ASSEMBLY INCLUDES]
201	X-2186-630-1	BEZEL ASSEMBLY (40)	[202-203]	204	1-802-488-13	LCD PANEL (40INCH FHD TFT)	
202	X-2178-581-1	SPEAKER COVER ASSEMBLY(40)				NOTE: This panel must be used in conjunction with FB3 BOARD A-1362-639-A	
203	3-198-631-01	GUIDE, LIGHT SENSOR		205	1-789-838-11	(BALANCER BOARD) ETC-INVERTER MT BOARD	

NOTE: The components identified by shading and  mark are critical for safety. Replace only with part number specified.

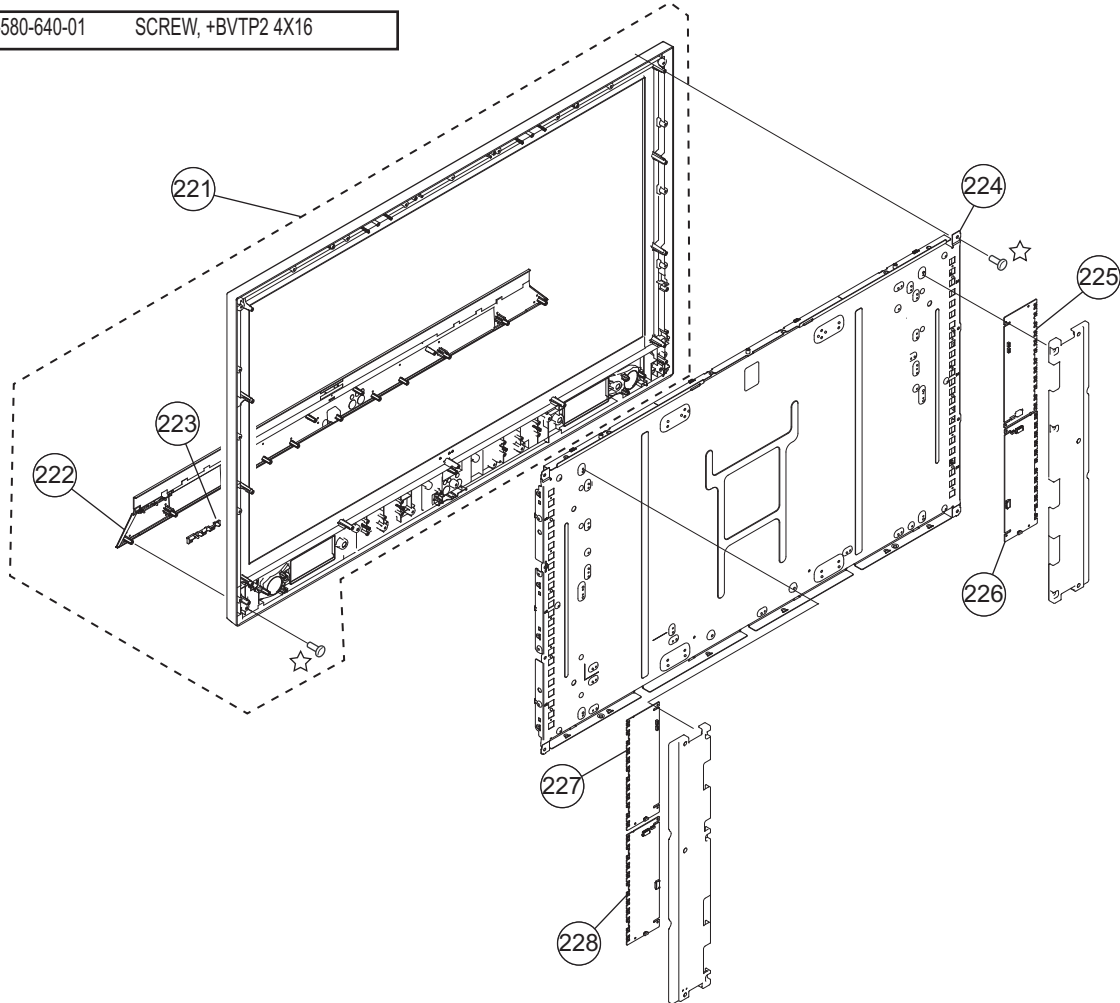
NOTE: Les composants identifiés par un trame et une marque  sont critiques pour la sécurité. Ne les remplacer que par une pièce portant le numéro spécifié.

NOTE: The components identified by a red outline and a  mark contain confidential information. Specific instructions must be adhered to whenever these components are repaired and/or replaced. See Appendix A: Encryption Key Components in the back of this manual.

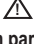
4-6. BEZEL ASSEMBLY AND LCD PANEL (KDL-52W3000/52WL130 ONLY)


(Check the [Sony Electronics Service Information](#) website for any additional service related issues for this model.)


 2-580-640-01 SCREW, +BVTP2 4X16



REF. NO.	PART NO.	DESCRIPTION	[ASSEMBLY INCLUDES]	REF. NO.	PART NO.	DESCRIPTION	[ASSEMBLY INCLUDES]
221	X-2176-739-1	BEZEL ASSEMBLY (52) (KDL-52W3000 Only)	[222-223]	Use the following PNs for KDL-52W3000/52WL130 SN 8,000,001 to 8,099,999 and SN 8,500,001 to 8,599,999 Only			
221	X-2186-629-1	BEZEL ASSEMBLY (52) (KDL-52WL130 Only)	[222-223]	224	1-802-487-12	LCD PANEL(52INCH FHD TFT)	
222	X-2177-934-1	SPEAKER COVER ASSEMBLY (52)		NOTE: This panel must be used in conjunction with FB1 BOARD A-1362-638-A			
223	3-198-631-01	GUIDE, LIGHT SENSOR		225	1-789-841-11	(BALANCER BOARD) ETC-INVERTER MT BOARD (RU)	
				226	1-789-842-11	(BALANCER BOARD) ETC-INVERTER MT BOARD (RL)	
				227	1-789-843-11	(BALANCER BOARD) ETC-INVERTER MT BOARD (LU)	
				228	1-789-844-11	(BALANCER BOARD) ETC-INVERTER MT BOARD (LL)	
				Use the following PNs for KDL-52W3000/52WL130 SN 8,100,001 to 8,499,999 and SN 8,600,001 and Up Only			
				224	1-802-593-11	LCD PANEL(52INCH FHD TFT)	
				NOTE: This panel must be used in conjunction with FB1 BOARD A-1419-002-A			
				225	1-789-957-11	(BALANCER BOARD) ETC-INVERTER MT BOARD (RU)	
				226	1-789-958-11	(BALANCER BOARD) ETC-INVERTER MT BOARD (RL)	
				227	1-789-955-11	(BALANCER BOARD) ETC-INVERTER MT BOARD (LU)	
				228	1-789-956-11	(BALANCER BOARD) ETC-INVERTER MT BOARD (LL)	

NOTE: The components identified by shading and  mark are critical for safety. Replace only with part number specified.

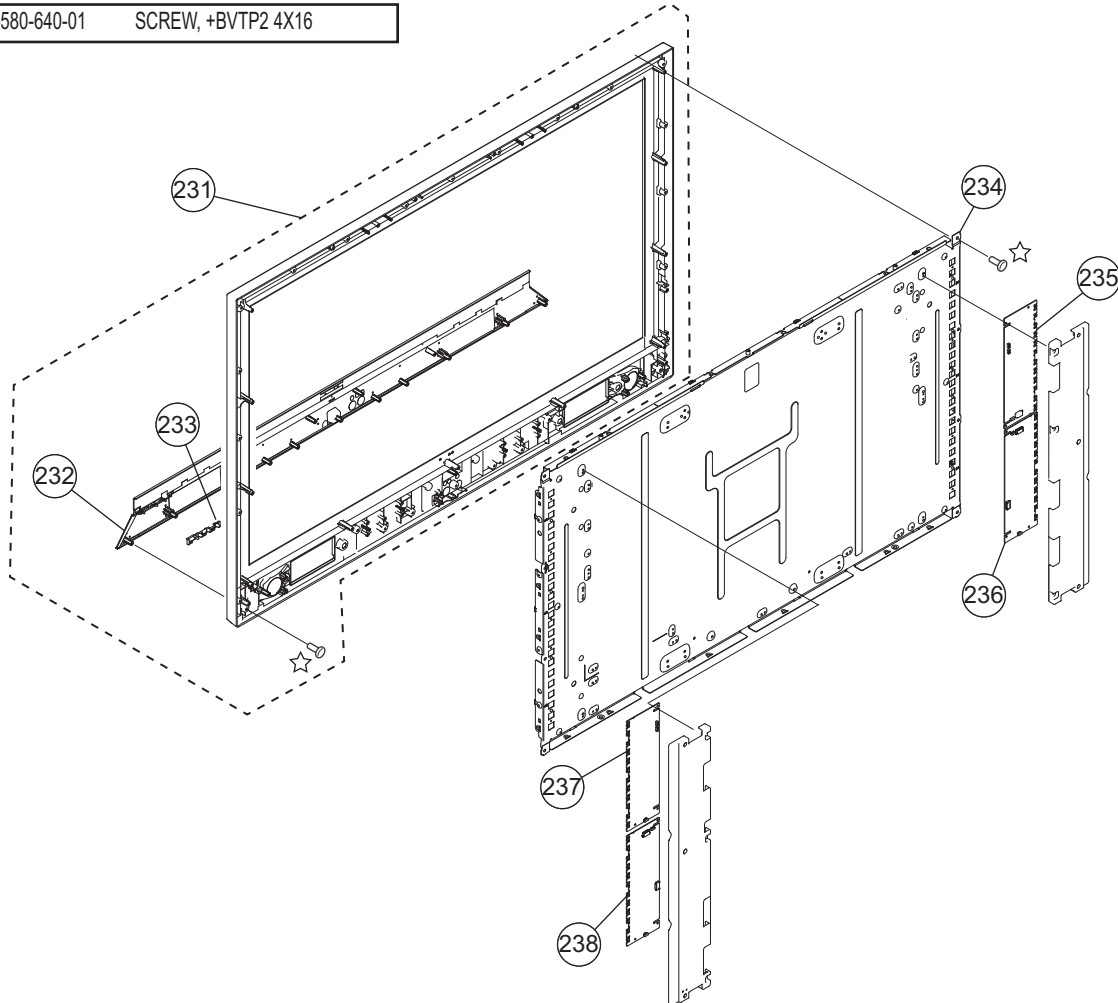
NOTE: Les composants identifiés par un triangle et une marque  sont critiques pour la sécurité. Ne les remplacer que par une pièce portant le numéro spécifié.

NOTE: The components identified by a red outline and a  mark contain confidential information. Specific instructions must be adhered to whenever these components are repaired and/or replaced. See Appendix A: Encryption Key Components in the back of this manual.

4-7. BEZEL ASSEMBLY AND LCD PANEL (KDL-52WL135 ONLY)

(Check the [Sony Electronics Service Information](#) website for any additional service related issues for this model.)

 2-580-640-01 SCREW, +BVTP2 4X16



REF. NO.	PART NO.	DESCRIPTION	[ASSEMBLY INCLUDES]	REF. NO.	PART NO.	DESCRIPTION	[ASSEMBLY INCLUDES]
231	X-2186-629-1	BEZEL ASSEMBLY (52)	[232-233]	234	1-802-490-32	LCD PANEL (52 INCH FHD HFR)	
232	X-2177-934-1	SPEAKER COVER ASSEMBLY (52)				NOTE: This panel must be used in conjunction with FB1 BOARD A-1419-002-A	
233	3-198-631-01	GUIDE, LIGHT SENSOR		235	1-789-946-11	(BALANCER BOARD) ETC-INVERTER MT BOARD (RU)	
				236	1-789-947-11	(BALANCER BOARD) ETC-INVERTER MT BOARD (RL)	
				237	1-789-944-11	(BALANCER BOARD) ETC-INVERTER MT BOARD (LU)	
				238	1-789-945-11	(BALANCER BOARD) ETC-INVERTER MT BOARD (LL)	

SECTION 5: ELECTRICAL PARTS LIST

NOTE: The components identified by shading and \triangle mark are critical for safety. Replace only with part number specified.

NOTE: Les composants identifiés par un trame et une marque \triangle sont critiques pour la sécurité. Ne les remplacer que par une pièce portant le numéro spécifié.

* Items marked with an asterisk are not stocked since they are seldom required for routine service. Expect some delay when ordering these components.

NOTE: The components identified by a red outline and a \triangle mark contain confidential information. Specific instructions must be adhered to whenever these components are repaired and/or replaced.
See Appendix A: Encryption Key Components in the back of this manual.



RESISTORS

- All resistors are in ohms
- F : nonflammable
- All variable and adjustable resistors have characteristic curve B, unless otherwise noted.

When ordering parts by reference number, please include the board name.

REF. NO.	PART NO.	DESCRIPTION	VALUES	REF. NO.	PART NO.	DESCRIPTION	VALUES
AU				C244	1-112-066-11	CERAMIC CHIP	10 μ F 10% 10V
A-1433-191-A AU BOARD, COMPLETE (KDL-40VL130 ONLY) A-1362-635-A AU BOARD, COMPLETE (ALL EXCEPT KDL-40VL130)				C245	1-112-066-11	CERAMIC CHIP	10 μ F 10% 10V
				C248	1-100-912-11	CERAMIC CHIP	1 μ F 10% 25V
CAPACITOR				C252	1-100-911-11	CERAMIC CHIP	4.7 μ F 10% 25V
				C254	1-100-911-11	CERAMIC CHIP	4.7 μ F 10% 25V
C001	1-100-905-11	CERAMIC CHIP	0.001 μ F 10% 50V	C257	1-100-912-11	CERAMIC CHIP	1 μ F 10% 25V
C002	1-100-421-21	ELECT CHIP	220 μ F 20% 6.3V	C259	1-112-066-11	CERAMIC CHIP	10 μ F 10% 10V
C003	1-137-993-21	ELECT CHIP	470 μ F 20% 16V	C261	1-126-396-11	ELECT CHIP	47 μ F 20% 16V
C004	1-137-993-21	ELECT CHIP	470 μ F 20% 16V	C404	1-126-394-11	ELECT CHIP	10 μ F 20% 16V
C005	1-100-905-11	CERAMIC CHIP	0.001 μ F 10% 50V	C405	1-126-394-11	ELECT CHIP	10 μ F 20% 16V
C009	1-100-916-11	CERAMIC CHIP	0.1 μ F 10% 16V	C406	1-126-394-11	ELECT CHIP	10 μ F 20% 16V
C010	1-100-905-11	CERAMIC CHIP	0.001 μ F 10% 50V	C407	1-126-394-11	ELECT CHIP	10 μ F 20% 16V
C013	1-100-905-11	CERAMIC CHIP	0.001 μ F 10% 50V	C408	1-126-394-11	ELECT CHIP	10 μ F 20% 16V
C014	1-100-905-11	CERAMIC CHIP	0.001 μ F 10% 50V	C409	1-126-394-11	ELECT CHIP	10 μ F 20% 16V
C017	1-100-905-11	CERAMIC CHIP	0.001 μ F 10% 50V	C412	1-126-394-11	ELECT CHIP	10 μ F 20% 16V
C018	1-100-905-11	CERAMIC CHIP	0.001 μ F 10% 50V	C413	1-126-394-11	ELECT CHIP	10 μ F 20% 16V
C019	1-100-905-11	CERAMIC CHIP	0.001 μ F 10% 50V	C418	1-114-325-11	CERAMIC CHIP	0.1 μ F 10% 25V
C202	1-100-911-11	CERAMIC CHIP	4.7 μ F 10% 25V	C419	1-126-396-11	ELECT CHIP	47 μ F 20% 16V
C208	1-100-911-11	CERAMIC CHIP	4.7 μ F 10% 25V	C425	1-112-161-21	ELECT CHIP	1000 μ F 20% 6.3V
* C220	1-112-298-91	CERAMIC CHIP	1 μ F 10% 16V	C426	1-100-912-11	CERAMIC CHIP	1 μ F 10% 25V
C223	1-100-912-11	CERAMIC CHIP	1 μ F 10% 25V	C432	1-112-781-11	CERAMIC CHIP	1 μ F 10% 10V
* C224	1-112-298-91	CERAMIC CHIP	1 μ F 10% 16V	C433	1-112-781-11	CERAMIC CHIP	1 μ F 10% 10V
C227	1-127-988-81	CERAMIC CHIP	0.015 μ F 10% 16V	C434	1-112-781-11	CERAMIC CHIP	1 μ F 10% 10V
C228	1-164-936-11	CERAMIC CHIP	680pF 10% 50V	C437	1-114-330-11	CERAMIC CHIP	2.2 μ F 10% 16V
C229	1-162-967-11	CERAMIC CHIP	0.0033 μ F 10% 50V	C438	1-114-325-11	CERAMIC CHIP	0.1 μ F 10% 25V
C230	1-162-967-11	CERAMIC CHIP	0.0033 μ F 10% 50V	C439	1-114-330-11	CERAMIC CHIP	2.2 μ F 10% 16V
C231	1-100-911-11	CERAMIC CHIP	4.7 μ F 10% 25V	C440	1-114-330-11	CERAMIC CHIP	2.2 μ F 10% 16V
C233	1-164-858-11	CERAMIC CHIP	22pF 5% 50V	C443	1-114-330-11	CERAMIC CHIP	2.2 μ F 10% 16V
C240	1-100-912-11	CERAMIC CHIP	1 μ F 10% 25V	C447	1-114-330-11	CERAMIC CHIP	2.2 μ F 10% 16V
C241	1-100-912-11	CERAMIC CHIP	1 μ F 10% 25V	C448	1-114-330-11	CERAMIC CHIP	2.2 μ F 10% 16V
				C449	1-114-330-11	CERAMIC CHIP	2.2 μ F 10% 16V
				C450	1-100-912-11	CERAMIC CHIP	1 μ F 10% 25V
				C453	1-100-916-11	CERAMIC CHIP	0.1 μ F 10% 16V
				C454	1-114-330-11	CERAMIC CHIP	2.2 μ F 10% 16V
				C455	1-114-330-11	CERAMIC CHIP	2.2 μ F 10% 16V



REF. NO.	PART NO.	DESCRIPTION	VALUES			REF. NO.	PART NO.	DESCRIPTION	VALUES		
C456	1-114-330-11	CERAMIC CHIP	2.2μF	10%	16V	C525	1-131-661-21	ELECT CHIP	100μF	20%	10V
C458	1-131-661-21	ELECT CHIP	100μF	20%	10V	C526	1-100-421-21	ELECT CHIP	220μF	20%	6.3V
C464	1-100-912-11	CERAMIC CHIP	1μF	10%	25V	C527	1-110-563-11	CERAMIC CHIP	0.068μF	10%	16V
C466	1-100-421-21	ELECT CHIP	220μF	20%	6.3V	C803	1-131-661-21	ELECT CHIP	100μF	20%	10V
C470	1-126-396-11	ELECT CHIP	47μF	20%	16V	C804	1-100-912-11	CERAMIC CHIP	1μF	10%	25V
C471	1-100-916-11	CERAMIC CHIP	0.1μF	10%	16V	C805	1-100-905-11	CERAMIC CHIP	0.001μF	10%	50V
C472	1-114-330-11	CERAMIC CHIP	2.2μF	10%	16V	C806	1-112-046-11	CERAMIC CHIP	4.7μF	10%	6.3V
C473	1-114-325-11	CERAMIC CHIP	0.1μF	10%	25V	C807	1-100-905-11	CERAMIC CHIP	0.001μF	10%	50V
C474	1-100-916-11	CERAMIC CHIP	0.1μF	10%	16V	C808	1-112-781-11	CERAMIC CHIP	1μF	10%	10V
C475	1-114-330-11	CERAMIC CHIP	2.2μF	10%	16V	C809	1-114-331-11	CERAMIC CHIP	4.7μF	10%	10V
* C478	1-112-298-91	CERAMIC CHIP	1μF	10%	16V	C810	1-100-905-11	CERAMIC CHIP	0.001μF	10%	50V
C485	1-112-781-11	CERAMIC CHIP	1μF	10%	10V	C811	1-114-130-11	CERAMIC CHIP	1μF		6.3V
C486	1-112-777-11	CERAMIC CHIP	0.01μF	10%	25V	C812	1-164-852-11	CERAMIC CHIP	12pF	5%	50V
C487	1-112-781-11	CERAMIC CHIP	1μF	10%	10V	C813	1-112-046-11	CERAMIC CHIP	4.7μF	10%	6.3V
C488	1-112-777-11	CERAMIC CHIP	0.01μF	10%	25V	C814	1-100-905-11	CERAMIC CHIP	0.001μF	10%	50V
C489	1-112-066-11	CERAMIC CHIP	10μF	10%	10V	C815	1-164-852-11	CERAMIC CHIP	12pF	5%	50V
C490	1-112-066-11	CERAMIC CHIP	10μF	10%	10V	C816	1-100-916-11	CERAMIC CHIP	0.1μF	10%	16V
C491	1-112-780-11	CERAMIC CHIP	0.47μF	10%	16V	C820	1-100-905-11	CERAMIC CHIP	0.001μF	10%	50V
C492	1-112-780-11	CERAMIC CHIP	0.47μF	10%	16V	C821	1-126-391-11	ELECT CHIP	47μF	20%	6.3V
C494	1-100-916-11	CERAMIC CHIP	0.1μF	10%	16V	C823	1-128-589-11	ELECT CHIP	47μF	20%	6.3V
C495	1-100-916-11	CERAMIC CHIP	0.1μF	10%	16V	C824	1-100-905-11	CERAMIC CHIP	0.001μF	10%	50V
C498	1-100-421-21	ELECT CHIP	220μF	20%	6.3V	C826	1-112-046-11	CERAMIC CHIP	4.7μF	10%	6.3V
C499	1-100-916-11	CERAMIC CHIP	0.1μF	10%	16V	C828	1-114-331-11	CERAMIC CHIP	4.7μF	10%	10V
C500	1-126-396-11	ELECT CHIP	47μF	20%	16V	C829	1-100-905-11	CERAMIC CHIP	0.001μF	10%	50V
C502	1-100-916-11	CERAMIC CHIP	0.1μF	10%	16V	C830	1-100-905-11	CERAMIC CHIP	0.001μF	10%	50V
C503	1-100-916-11	CERAMIC CHIP	0.1μF	10%	16V	C831	1-114-331-11	CERAMIC CHIP	4.7μF	10%	10V
C504	1-100-916-11	CERAMIC CHIP	0.1μF	10%	16V	C832	1-131-661-21	ELECT CHIP	100μF	20%	10V
C505	1-112-777-11	CERAMIC CHIP	0.01μF	10%	25V	C833	1-100-916-11	CERAMIC CHIP	0.1μF	10%	16V
C506	1-112-777-11	CERAMIC CHIP	0.01μF	10%	25V	C834	1-114-130-11	CERAMIC CHIP	1μF		6.3V
C507	1-112-777-11	CERAMIC CHIP	0.01μF	10%	25V	C835	1-114-130-11	CERAMIC CHIP	1μF		6.3V
C508	1-112-781-11	CERAMIC CHIP	1μF	10%	10V	C837	1-126-391-11	ELECT CHIP	47μF	20%	6.3V
C509	1-112-066-11	CERAMIC CHIP	10μF	10%	10V	C838	1-100-916-11	CERAMIC CHIP	0.1μF	10%	16V
C510	1-112-066-11	CERAMIC CHIP	10μF	10%	10V	C839	1-126-391-11	ELECT CHIP	47μF	20%	6.3V
C511	1-164-866-11	CERAMIC CHIP	47pF	5%	50V	C840	1-100-905-11	CERAMIC CHIP	0.001μF	10%	50V
C512	1-164-866-11	CERAMIC CHIP	47pF	5%	50V	C843	1-126-391-11	ELECT CHIP	47μF	20%	6.3V
C514	1-100-916-11	CERAMIC CHIP	0.1μF	10%	16V	C844	1-100-916-11	CERAMIC CHIP	0.1μF	10%	16V
C515	1-126-394-11	ELECT CHIP	10μF	20%	16V	C845	1-100-904-11	CERAMIC CHIP	330pF	10%	50V
C516	1-126-394-11	ELECT CHIP	10μF	20%	16V	C846	1-100-904-11	CERAMIC CHIP	330pF	10%	50V
C517	1-126-394-11	ELECT CHIP	10μF	20%	16V	C847	1-114-331-11	CERAMIC CHIP	4.7μF	10%	10V
C518	1-126-394-11	ELECT CHIP	10μF	20%	16V	C848	1-114-331-11	CERAMIC CHIP	4.7μF	10%	10V
C519	1-112-780-11	CERAMIC CHIP	0.47μF	10%	16V	C849	1-112-066-11	CERAMIC CHIP	10μF	10%	10V
C520	1-112-780-11	CERAMIC CHIP	0.47μF	10%	16V	C850	1-112-066-11	CERAMIC CHIP	10μF	10%	10V
C521	1-112-780-11	CERAMIC CHIP	0.47μF	10%	16V	C851	1-126-394-11	ELECT CHIP	10μF	20%	16V
C522	1-112-780-11	CERAMIC CHIP	0.47μF	10%	16V	C854	1-162-979-11	CERAMIC CHIP	0.0027μF	10%	50V
C524	1-131-661-21	ELECT CHIP	100μF	20%	10V	C855	1-162-979-11	CERAMIC CHIP	0.0027μF	10%	50V



REF. NO.	PART NO.	DESCRIPTION	VALUES			REF. NO.	PART NO.	DESCRIPTION	VALUES		
C856	1-126-396-11	ELECT CHIP	47μF	20%	16V	C915	1-131-696-11	FILM	0.22μF	5%	50V
C857	1-126-396-11	ELECT CHIP	47μF	20%	16V	C916	1-126-394-11	ELECT CHIP	10μF	20%	16V
C858	1-126-396-11	ELECT CHIP	47μF	20%	16V	C917	1-114-331-11	CERAMIC CHIP	4.7μF	10%	10V
C859	1-126-396-11	ELECT CHIP	47μF	20%	16V	C918	1-114-331-11	CERAMIC CHIP	4.7μF	10%	10V
C860	1-100-905-11	CERAMIC CHIP	0.001μF	10%	50V	C919	1-112-064-11	CERAMIC CHIP	2.2μF	10%	10V
C861	1-100-905-11	CERAMIC CHIP	0.001μF	10%	50V	C920	1-100-905-11	CERAMIC CHIP	0.001μF	10%	50V
C862	1-112-672-81	CERAMIC CHIP	330pF	5%	50V	C921	1-100-905-11	CERAMIC CHIP	0.001μF	10%	50V
C863	1-112-672-81	CERAMIC CHIP	330pF	5%	50V	C922	1-100-916-11	CERAMIC CHIP	0.1μF	10%	16V
C864	1-126-396-11	ELECT CHIP	47μF	20%	16V	C923	1-112-064-11	CERAMIC CHIP	2.2μF	10%	10V
C866	1-100-916-11	CERAMIC CHIP	0.1μF	10%	16V	C924	1-164-874-11	CERAMIC CHIP	100pF	5%	50V
C867	1-164-874-11	CERAMIC CHIP	100pF	5%	50V	C925	1-164-874-11	CERAMIC CHIP	100pF	5%	50V
C868	1-164-874-11	CERAMIC CHIP	100pF	5%	50V	C926	1-100-911-11	CERAMIC CHIP	4.7μF	10%	25V
C870	1-112-064-11	CERAMIC CHIP	2.2μF	10%	10V	C927	1-100-911-11	CERAMIC CHIP	4.7μF	10%	25V
C871	1-112-064-11	CERAMIC CHIP	2.2μF	10%	10V	C928	1-126-396-11	ELECT CHIP	47μF	20%	16V
C875	1-100-916-11	CERAMIC CHIP	0.1μF	10%	16V	C929	1-126-396-11	ELECT CHIP	47μF	20%	16V
C879	1-100-905-11	CERAMIC CHIP	0.001μF	10%	50V	C930	1-100-905-11	CERAMIC CHIP	0.001μF	10%	50V
C880	1-100-905-11	CERAMIC CHIP	0.001μF	10%	50V	C931	1-100-905-11	CERAMIC CHIP	0.001μF	10%	50V
C881	1-113-701-21	ELECT CHIP	22μF	20%	16V	C932	1-100-905-11	CERAMIC CHIP	0.001μF	10%	50V
C882	1-113-701-21	ELECT CHIP	22μF	20%	16V	C933	1-100-905-11	CERAMIC CHIP	0.001μF	10%	50V
C883	1-137-893-11	ELECT CHIP	22μF	20%	16V	C934	1-114-325-11	CERAMIC CHIP	0.1μF	10%	25V
C884	1-137-893-11	ELECT CHIP	22μF	20%	16V	C935	1-100-905-11	CERAMIC CHIP	0.001μF	10%	50V
C887	1-114-325-11	CERAMIC CHIP	0.1μF	10%	25V	C936	1-114-325-11	CERAMIC CHIP	0.1μF	10%	25V
C888	1-128-536-11	ELECT CHIP	100μF	20%	25V	C937	1-114-325-11	CERAMIC CHIP	0.1μF	10%	25V
C889	1-100-905-11	CERAMIC CHIP	0.001μF	10%	50V	C938	1-128-589-11	ELECT CHIP	47μF	20%	6.3V
C890	1-112-777-11	CERAMIC CHIP	0.01μF	10%	25V	C952	1-100-916-11	CERAMIC CHIP	0.1μF	10%	16V
C891	1-126-396-11	ELECT CHIP	47μF	20%	16V	C955	1-100-904-11	CERAMIC CHIP	330pF	10%	50V
C893	1-114-326-11	CERAMIC CHIP	0.22μF	10%	25V	C956	1-100-904-11	CERAMIC CHIP	330pF	10%	50V
C894	1-114-326-11	CERAMIC CHIP	0.22μF	10%	25V	C1201	1-100-916-11	CERAMIC CHIP	0.1μF	10%	16V
C895	1-114-326-11	CERAMIC CHIP	0.22μF	10%	25V	C1206	1-100-916-11	CERAMIC CHIP	0.1μF	10%	16V
C896	1-114-326-11	CERAMIC CHIP	0.22μF	10%	25V	C1207	1-100-916-11	CERAMIC CHIP	0.1μF	10%	16V
C897	1-100-905-11	CERAMIC CHIP	0.001μF	10%	50V	* C1210	1-112-298-91	CERAMIC CHIP	1μF	10%	16V
C898	1-100-905-11	CERAMIC CHIP	0.001μF	10%	50V	* C1211	1-112-298-91	CERAMIC CHIP	1μF	10%	16V
C899	1-114-325-11	CERAMIC CHIP	0.1μF	10%	25V	C1212	1-112-777-11	CERAMIC CHIP	0.01μF	10%	25V
C901	1-100-912-11	CERAMIC CHIP	1μF	10%	25V	C1213	1-100-916-11	CERAMIC CHIP	0.1μF	10%	16V
C902	1-100-912-11	CERAMIC CHIP	1μF	10%	25V	C1214	1-100-916-11	CERAMIC CHIP	0.1μF	10%	16V
C903	1-114-325-11	CERAMIC CHIP	0.1μF	10%	25V	C1218	1-126-391-11	ELECT CHIP	47μF	20%	6.3V
C905	1-115-670-11	ELECT CHIP	220μF	20%	35V	C1219	1-126-390-11	ELECT CHIP	22μF	20%	6.3V
C906	1-115-670-11	ELECT CHIP	220μF	20%	35V	C1220	1-100-916-11	CERAMIC CHIP	0.1μF	10%	16V
C907	1-131-696-11	FILM	0.22μF	5%	50V	C1221	1-100-916-11	CERAMIC CHIP	0.1μF	10%	16V
C908	1-131-696-11	FILM	0.22μF	5%	50V	C1222	1-126-390-11	ELECT CHIP	22μF	20%	6.3V
C909	1-112-835-11	ELECT	3300μF	20%	25V	C1223	1-100-916-11	CERAMIC CHIP	0.1μF	10%	16V
C911	1-126-396-11	ELECT CHIP	47μF	20%	16V	C1224	1-100-916-11	CERAMIC CHIP	0.1μF	10%	16V
C912	1-131-696-11	FILM	0.22μF	5%	50V	C1225	1-100-916-11	CERAMIC CHIP	0.1μF	10%	16V
C913	1-131-696-11	FILM	0.22μF	5%	50V	C1227	1-100-916-11	CERAMIC CHIP	0.1μF	10%	16V
C914	1-131-696-11	FILM	0.22μF	5%	50V	C1229	1-100-916-11	CERAMIC CHIP	0.1μF	10%	16V



REF. NO.	PART NO.	DESCRIPTION	VALUES	REF. NO.	PART NO.	DESCRIPTION	VALUES
IC1601	6-709-441-01	IC	SI8008TM-TL	Q406	8-729-122-63	TRANSISTOR	2SA1226-E4
IC1602	6-711-288-01	IC	MIC2005-0.5YM6TR	Q407	8-729-122-63	TRANSISTOR	2SA1226-E4
JACK				Q408	6-551-696-01	TRANSISTOR	ISA1235AC1TP-1EF
* J402	1-819-358-11	PHONO JACK		Q409	6-551-696-01	TRANSISTOR	ISA1235AC1TP-1EF
* J403	1-819-358-11	PHONO JACK		Q414	6-551-696-01	TRANSISTOR	ISA1235AC1TP-1EF
J404	1-507-792-00	JACK		Q415	6-551-696-01	TRANSISTOR	ISA1235AC1TP-1EF
J405	1-821-064-11	PHONO JACK	10P	Q416	6-551-696-01	TRANSISTOR	ISA1235AC1TP-1EF
COIL				Q419	8-729-027-43	TRANSISTOR	DTC114EKA-T146
L203	1-424-922-21	INDUCTOR	10μH	Q420	6-550-832-01	TRANSISTOR	SI2301BDS-T1
L403	1-481-234-21	INDUCTOR	10μH	Q421	8-729-620-07	TRANSISTOR	2SC3052EF-T1-LEF
L404	1-481-234-21	INDUCTOR	10μH	Q422	8-729-620-07	TRANSISTOR	2SC3052EF-T1-LEF
L405	1-481-234-21	INDUCTOR	10μH	Q423	8-729-027-43	TRANSISTOR	DTC114EKA-T146
L406	1-481-234-21	INDUCTOR	10μH	Q424	8-729-620-07	TRANSISTOR	2SC3052EF-T1-LEF
L407	1-481-234-21	INDUCTOR	10μH	Q803	8-729-038-28	TRANSISTOR	RT1N441C-TP-1
L803	1-469-555-21	INDUCTOR	10μH	Q804	6-551-364-01	TRANSISTOR	DTC614TUT106
L804	1-469-555-21	INDUCTOR	10μH	Q805	6-551-364-01	TRANSISTOR	DTC614TUT106
L805	1-469-555-21	INDUCTOR	10μH	Q806	6-551-321-01	TRANSISTOR	RT3WLMM-TP-1F
L809	1-469-555-21	INDUCTOR	10μH	Q809	6-551-271-01	TRANSISTOR	RT3AMMM
L810	1-481-083-11	INDUCTOR	22μH	Q810	6-551-271-01	TRANSISTOR	RT3AMMM
L811	1-457-485-11	INDUCTOR	22μH	Q811	8-729-027-43	TRANSISTOR	DTC114EKA-T146
L812	1-457-485-11	INDUCTOR	22μH	Q812	6-551-364-01	TRANSISTOR	DTC614TUT106
L813	1-457-485-11	INDUCTOR	22μH	Q813	6-551-364-01	TRANSISTOR	DTC614TUT106
L814	1-457-485-11	INDUCTOR	22μH	Q824	8-729-027-43	TRANSISTOR	DTC114EKA-T146
L1201	1-469-555-21	INDUCTOR	10μH	Q826	8-729-027-43	TRANSISTOR	DTC114EKA-T146
L1202	1-469-555-21	INDUCTOR	10μH	Q827	8-729-027-43	TRANSISTOR	DTC114EKA-T146
L1203	1-469-555-21	INDUCTOR	10μH	Q828	6-551-551-01	TRANSISTOR	RT3N77M-TP-1
L1205	1-481-234-21	INDUCTOR	10μH	Q829	6-551-690-01	TRANSISTOR	RT3N11M-TP-1
L1451	1-469-555-21	INDUCTOR	10μH	Q1208	8-729-620-07	TRANSISTOR	2SC3052EF-T1-LEF
L1452	1-400-179-21	FERRITE	0μH	Q1213	8-729-027-43	TRANSISTOR	DTC114EKA-T146
L1601	1-416-344-11	INDUCTOR	10μH	Q1214	8-729-038-28	TRANSISTOR	RT1N441C-TP-1
* L1602	1-813-308-11	INDUCTOR	0μH	Q1215	8-729-027-23	TRANSISTOR	DTA114EKA-T146
L1603	1-416-606-11	INDUCTOR	47μH	Q1216	8-729-027-43	TRANSISTOR	DTC114EKA-T146
IC LINK				Q1217	6-551-456-01	TRANSISTOR	RTR020P02TL
PS1601	1-576-736-41	IC LINK	3.15A 24V	Q1218	8-729-027-43	TRANSISTOR	DTC114EKA-T146
TRANSISTOR				Q1220	6-551-271-01	TRANSISTOR	RT3AMMM
Q207	6-551-382-01	TRANSISTOR	RSS040P03FD5TB	Q1221	6-551-271-01	TRANSISTOR	RT3AMMM
Q210	8-729-027-43	TRANSISTOR	DTC114EKA-T146	Q1222	6-551-321-01	TRANSISTOR	RT3WLMM-TP-1F
Q212	8-729-620-07	TRANSISTOR	2SC3052EF-T1-LEF	Q1224	6-551-693-01	TRANSISTOR	RT3T11M-TP-1
Q214	6-551-321-01	TRANSISTOR	RT3WLMM-TP-1F	Q1451	6-551-696-01	TRANSISTOR	ISA1235AC1TP-1EF
Q403	8-729-122-63	TRANSISTOR	2SA1226-E4	Q1452	8-729-620-07	TRANSISTOR	2SC3052EF-T1-LEF
				Q1601	8-729-038-28	TRANSISTOR	RT1N441C-TP-1
				Q1602	8-729-620-07	TRANSISTOR	2SC3052EF-T1-LEF



REF. NO.	PART NO.	DESCRIPTION	VALUES	REF. NO.	PART NO.	DESCRIPTION	VALUES
	RESISTOR			R088	1-218-990-81	SHORT CHIP	
R012	1-218-990-81	SHORT CHIP		R089	1-218-990-81	SHORT CHIP	
R013	1-218-990-81	SHORT CHIP		R090	1-218-990-81	SHORT CHIP	
R014	1-218-990-81	SHORT CHIP		R091	1-218-990-81	SHORT CHIP	
R016	1-218-990-81	SHORT CHIP		R092	1-218-990-81	SHORT CHIP	
R026	1-218-990-81	SHORT CHIP		R093	1-218-990-81	SHORT CHIP	
R027	1-218-990-81	SHORT CHIP		R094	1-218-990-81	SHORT CHIP	
R028	1-218-990-81	SHORT CHIP		R096	1-218-990-81	SHORT CHIP	
R029	1-218-990-81	SHORT CHIP		R098	1-218-990-81	SHORT CHIP	
R030	1-218-990-81	SHORT CHIP		R104	1-218-990-81	SHORT CHIP	
R031	1-218-990-81	SHORT CHIP		R105	1-218-990-81	SHORT CHIP	
R032	1-218-990-81	SHORT CHIP		R106	1-218-990-81	SHORT CHIP	
R033	1-218-990-81	SHORT CHIP		R108	1-218-990-81	SHORT CHIP	
R034	1-218-990-81	SHORT CHIP		R109	1-218-990-81	SHORT CHIP	
R035	1-218-990-81	SHORT CHIP		R110	1-218-990-81	SHORT CHIP	
R036	1-218-990-81	SHORT CHIP		R115	1-218-933-11	RES-CHIP	22 5% 1/16W
R037	1-218-990-81	SHORT CHIP		R117	1-218-933-11	RES-CHIP	22 5% 1/16W
R039	1-218-990-81	SHORT CHIP		R133	1-218-990-81	SHORT CHIP	
R041	1-218-990-81	SHORT CHIP		R146	1-216-864-11	SHORT CHIP	
R046	1-218-990-81	SHORT CHIP		R201	1-218-965-11	RES-CHIP	10K 5% 1/16W
R048	1-218-990-81	SHORT CHIP		R204	1-218-965-11	RES-CHIP	10K 5% 1/16W
R050	1-218-990-81	SHORT CHIP		R206	1-218-953-11	RES-CHIP	1K 5% 1/16W
R056	1-218-990-81	SHORT CHIP		R207	1-218-965-11	RES-CHIP	10K 5% 1/16W
R057	1-218-990-81	SHORT CHIP		R218	1-218-990-81	SHORT CHIP	
R058	1-218-990-81	SHORT CHIP		R233	1-218-990-81	SHORT CHIP	
R059	1-218-990-81	SHORT CHIP		R237	1-208-909-11	METAL CHIP	8.2K 0.50% 1/16W
R060	1-218-990-81	SHORT CHIP		R246	1-218-965-11	RES-CHIP	10K 5% 1/16W
R061	1-218-990-81	SHORT CHIP		R249	1-218-990-81	SHORT CHIP	
R062	1-218-990-81	SHORT CHIP		R251	1-218-990-81	SHORT CHIP	
R071	1-218-990-81	SHORT CHIP		R252	1-216-799-11	METAL CHIP	15 5% 1/10W
R073	1-218-990-81	SHORT CHIP		R258	1-208-911-11	METAL CHIP	10K 0.50% 1/16W
R074	1-218-990-81	SHORT CHIP		R259	1-216-799-11	METAL CHIP	15 5% 1/10W
R075	1-218-990-81	SHORT CHIP		R260	1-216-799-11	METAL CHIP	15 5% 1/10W
R076	1-218-990-81	SHORT CHIP		R262	1-218-990-81	SHORT CHIP	
R077	1-218-990-81	SHORT CHIP		R265	1-218-886-11	METAL CHIP	43K 0.50% 1/10W
R078	1-218-990-81	SHORT CHIP		R266	1-218-982-11	RES-CHIP	270K 5% 1/16W
R079	1-218-990-81	SHORT CHIP		R267	1-208-927-11	METAL CHIP	47K 0.50% 1/16W
R080	1-218-990-81	SHORT CHIP		R268	1-208-929-81	METAL CHIP	56K 0.50% 1/16W
R081	1-218-990-81	SHORT CHIP		R269	1-216-864-11	SHORT CHIP	
R083	1-218-990-81	SHORT CHIP		R270	1-216-864-11	SHORT CHIP	
R084	1-218-990-81	SHORT CHIP		R271	1-216-864-11	SHORT CHIP	
R085	1-218-990-81	SHORT CHIP		R272	1-216-864-11	SHORT CHIP	
R086	1-218-990-81	SHORT CHIP		R273	1-218-953-11	RES-CHIP	1K 5% 1/16W
R087	1-218-990-81	SHORT CHIP		R274	1-218-953-11	RES-CHIP	1K 5% 1/16W



REF. NO.	PART NO.	DESCRIPTION	VALUES			REF. NO.	PART NO.	DESCRIPTION	VALUES		
R275	1-218-958-11	RES-CHIP	2.7K	5%	1/16W	R444	1-218-855-11	METAL CHIP	2.2K	0.50%	1/10W
R276	1-218-948-11	RES-CHIP	390	5%	1/16W	R445	1-218-855-11	METAL CHIP	2.2K	0.50%	1/10W
R277	1-208-683-11	METAL CHIP	1K	0.50%	1/16W	R446	1-218-855-11	METAL CHIP	2.2K	0.50%	1/10W
R278	1-218-958-11	RES-CHIP	2.7K	5%	1/16W	R447	1-211-989-11	METAL CHIP	68	0.50%	1/10W
R279	1-218-948-11	RES-CHIP	390	5%	1/16W	R448	1-211-989-11	METAL CHIP	68	0.50%	1/10W
R280	1-208-683-11	METAL CHIP	1K	0.50%	1/16W	R449	1-211-989-11	METAL CHIP	68	0.50%	1/10W
R281	1-218-965-11	RES-CHIP	10K	5%	1/16W	R451	1-218-839-11	METAL CHIP	470	0.50%	1/10W
R283	1-218-990-81	SHORT CHIP				R453	1-216-864-11	SHORT CHIP			
R287	1-218-965-11	RES-CHIP	10K	5%	1/16W	R455	1-218-839-11	METAL CHIP	470	0.50%	1/10W
R289	1-218-990-81	SHORT CHIP				R461	1-218-839-11	METAL CHIP	470	0.50%	1/10W
R291	1-208-699-11	METAL CHIP	4.7K	0.50%	1/16W	R465	1-211-969-11	METAL CHIP	10	0.50%	1/10W
R292	1-218-941-11	RES-CHIP	100	5%	1/16W	R466	1-211-969-11	METAL CHIP	10	0.50%	1/10W
R293	1-208-683-11	METAL CHIP	1K	0.50%	1/16W	R467	1-211-969-11	METAL CHIP	10	0.50%	1/10W
R294	1-208-683-11	METAL CHIP	1K	0.50%	1/16W	R471	1-218-983-11	RES-CHIP	330K	5%	1/16W
R299	1-218-990-81	SHORT CHIP				R472	1-218-983-11	RES-CHIP	330K	5%	1/16W
R300	1-216-864-11	SHORT CHIP				R473	1-218-983-11	RES-CHIP	330K	5%	1/16W
R301	1-216-864-11	SHORT CHIP				R474	1-216-815-11	METAL CHIP	330	5%	1/10W
R302	1-218-953-11	RES-CHIP	1K	5%	1/16W	R475	1-218-933-11	RES-CHIP	22	5%	1/16W
R303	1-208-883-81	METAL CHIP	680	0.50%	1/16W	R476	1-211-969-11	METAL CHIP	10	0.50%	1/10W
R304	1-208-683-11	METAL CHIP	1K	0.50%	1/16W	R477	1-211-969-11	METAL CHIP	10	0.50%	1/10W
R305	1-208-683-11	METAL CHIP	1K	0.50%	1/16W	R478	1-216-815-11	METAL CHIP	330	5%	1/10W
R306	1-216-864-11	SHORT CHIP				R481	1-218-933-11	RES-CHIP	22	5%	1/16W
R307	1-216-864-11	SHORT CHIP				R486	1-216-815-11	METAL CHIP	330	5%	1/10W
R308	1-216-864-11	SHORT CHIP				R492	1-218-941-81	RES-CHIP	100	5%	1/16W
R415	1-218-990-81	SHORT CHIP				R493	1-218-941-81	RES-CHIP	100	5%	1/16W
R416	1-218-990-81	SHORT CHIP				R494	1-218-941-81	RES-CHIP	100	5%	1/16W
R424	1-218-989-11	RES-CHIP	1M	5%	1/16W	R495	1-218-941-81	RES-CHIP	100	5%	1/16W
R425	1-218-989-11	RES-CHIP	1M	5%	1/16W	R498	1-218-941-81	RES-CHIP	100	5%	1/16W
R427	1-218-989-11	RES-CHIP	1M	5%	1/16W	R507	1-218-941-81	RES-CHIP	100	5%	1/16W
R428	1-218-989-11	RES-CHIP	1M	5%	1/16W	R508	1-218-941-81	RES-CHIP	100	5%	1/16W
R429	1-218-989-11	RES-CHIP	1M	5%	1/16W	R509	1-218-941-81	RES-CHIP	100	5%	1/16W
R430	1-218-989-11	RES-CHIP	1M	5%	1/16W	R510	1-216-864-11	SHORT CHIP			
R431	1-218-855-11	METAL CHIP	2.2K	0.50%	1/10W	R511	1-216-815-11	METAL CHIP	330	5%	1/10W
R432	1-218-855-11	METAL CHIP	2.2K	0.50%	1/10W	R512	1-218-933-11	RES-CHIP	22	5%	1/16W
R433	1-218-855-11	METAL CHIP	2.2K	0.50%	1/10W	R515	1-216-815-11	METAL CHIP	330	5%	1/10W
R435	1-218-855-11	METAL CHIP	2.2K	0.50%	1/10W	R516	1-218-933-11	RES-CHIP	22	5%	1/16W
R436	1-218-855-11	METAL CHIP	2.2K	0.50%	1/10W	R517	1-218-933-11	RES-CHIP	22	5%	1/16W
R437	1-218-855-11	METAL CHIP	2.2K	0.50%	1/10W	R522	1-218-941-81	RES-CHIP	100	5%	1/16W
R439	1-218-989-11	RES-CHIP	1M	5%	1/16W	R527	1-211-983-11	METAL CHIP	39	0.50%	1/10W
R440	1-218-989-11	RES-CHIP	1M	5%	1/16W	R528	1-211-983-11	METAL CHIP	39	0.50%	1/10W
R441	1-218-855-11	METAL CHIP	2.2K	0.50%	1/10W	R529	1-211-983-11	METAL CHIP	39	0.50%	1/10W
R442	1-218-855-11	METAL CHIP	2.2K	0.50%	1/10W	R530	1-218-941-81	RES-CHIP	100	5%	1/16W
R443	1-218-855-11	METAL CHIP	2.2K	0.50%	1/10W	R531	1-218-941-81	RES-CHIP	100	5%	1/16W
						R532	1-216-814-11	METAL CHIP	270	5%	1/10W
						R537	1-216-814-11	METAL CHIP	270	5%	1/10W



REF. NO.	PART NO.	DESCRIPTION	VALUES			REF. NO.	PART NO.	DESCRIPTION	VALUES		
R541	1-218-941-81	RES-CHIP	100	5%	1/16W	R629	1-218-990-81	SHORT CHIP			
R542	1-216-814-11	METAL CHIP	270	5%	1/10W	R630	1-218-990-81	SHORT CHIP			
R543	1-218-933-11	RES-CHIP	22	5%	1/16W	R631	1-218-990-81	SHORT CHIP			
R546	1-218-933-11	RES-CHIP	22	5%	1/16W	R632	1-218-990-81	SHORT CHIP			
R548	1-218-933-11	RES-CHIP	22	5%	1/16W	R633	1-218-990-81	SHORT CHIP			
R552	1-218-975-11	RES-CHIP	68K	5%	1/16W	R634	1-218-990-81	SHORT CHIP			
R553	1-218-975-11	RES-CHIP	68K	5%	1/16W	R637	1-216-814-11	METAL CHIP	270	5%	1/10W
R557	1-218-941-81	RES-CHIP	100	5%	1/16W	R638	1-216-814-11	METAL CHIP	270	5%	1/10W
R558	1-218-941-81	RES-CHIP	100	5%	1/16W	R639	1-216-814-11	METAL CHIP	270	5%	1/10W
R572	1-218-990-81	SHORT CHIP				R813	1-218-937-11	RES-CHIP	47	5%	1/16W
R573	1-218-990-81	SHORT CHIP				R815	1-218-937-11	RES-CHIP	47	5%	1/16W
R574	1-208-911-11	METAL CHIP	10K	0.50%	1/16W	R816	1-218-937-11	RES-CHIP	47	5%	1/16W
R575	1-218-941-81	RES-CHIP	100	5%	1/16W	R824	1-208-855-81	METAL CHIP	47	0.50%	1/16W
R578	1-218-937-11	RES-CHIP	47	5%	1/16W	R825	1-208-855-81	METAL CHIP	47	0.50%	1/16W
R579	1-218-937-11	RES-CHIP	47	5%	1/16W	R833	1-218-945-11	RES-CHIP	220	5%	1/16W
R581	1-218-941-81	RES-CHIP	100	5%	1/16W	R834	1-218-989-11	RES-CHIP	1M	5%	1/16W
R582	1-218-941-81	RES-CHIP	100	5%	1/16W	R835	1-218-990-81	SHORT CHIP			
R583	1-218-990-81	SHORT CHIP				R837	1-218-990-81	SHORT CHIP			
R584	1-218-990-81	SHORT CHIP				R838	1-218-990-81	SHORT CHIP			
R586	1-218-941-81	RES-CHIP	100	5%	1/16W	R839	1-218-990-81	SHORT CHIP			
R587	1-218-941-81	RES-CHIP	100	5%	1/16W	R842	1-218-990-81	SHORT CHIP			
R589	1-218-990-81	SHORT CHIP				R843	1-218-965-11	RES-CHIP	10K	5%	1/16W
R590	1-218-965-11	RES-CHIP	10K	5%	1/16W	R846	1-218-965-11	RES-CHIP	10K	5%	1/16W
R591	1-218-965-11	RES-CHIP	10K	5%	1/16W	R849	1-218-965-11	RES-CHIP	10K	5%	1/16W
R592	1-218-965-11	RES-CHIP	10K	5%	1/16W	R850	1-218-990-81	SHORT CHIP			
R593	1-218-959-11	RES-CHIP	3.3K	5%	1/16W	R853	1-218-941-81	RES-CHIP	100	5%	1/16W
R594	1-218-965-11	RES-CHIP	10K	5%	1/16W	R854	1-218-965-11	RES-CHIP	10K	5%	1/16W
R595	1-218-949-11	RES-CHIP	470	5%	1/16W	R855	1-218-953-11	RES-CHIP	1K	5%	1/16W
R596	1-218-949-11	RES-CHIP	470	5%	1/16W	R858	1-208-855-81	METAL CHIP	47	0.50%	1/16W
R597	1-216-864-11	SHORT CHIP				R859	1-208-855-81	METAL CHIP	47	0.50%	1/16W
R598	1-216-864-11	SHORT CHIP				R860	1-208-855-81	METAL CHIP	47	0.50%	1/16W
R599	1-216-864-11	SHORT CHIP				R861	1-208-855-81	METAL CHIP	47	0.50%	1/16W
R600	1-216-864-11	SHORT CHIP				R862	1-218-990-81	SHORT CHIP			
R601	1-218-989-11	RES-CHIP	1M	5%	1/16W	R863	1-218-990-81	SHORT CHIP			
R602	1-218-989-11	RES-CHIP	1M	5%	1/16W	R866	1-208-923-11	METAL CHIP	33K	0.50%	1/16W
R603	1-218-989-11	RES-CHIP	1M	5%	1/16W	R868	1-208-923-11	METAL CHIP	33K	0.50%	1/16W
R604	1-218-989-11	RES-CHIP	1M	5%	1/16W	R869	1-208-923-11	METAL CHIP	33K	0.50%	1/16W
R613	1-218-941-81	RES-CHIP	100	5%	1/16W	R870	1-208-923-11	METAL CHIP	33K	0.50%	1/16W
R614	1-218-941-81	RES-CHIP	100	5%	1/16W	R871	1-220-199-81	RES-CHIP	24K	5%	1/16W
R615	1-218-941-81	RES-CHIP	100	5%	1/16W	R872	1-208-923-11	METAL CHIP	33K	0.50%	1/16W
R616	1-208-683-11	METAL CHIP	1K	0.50%	1/16W	R873	1-208-923-11	METAL CHIP	33K	0.50%	1/16W
R617	1-216-864-11	SHORT CHIP				R874	1-208-923-11	METAL CHIP	33K	0.50%	1/16W
R618	1-216-864-11	SHORT CHIP				R875	1-208-923-11	METAL CHIP	33K	0.50%	1/16W
R627	1-211-990-11	METAL CHIP	75	0.50%	1/10W	R878	1-208-923-11	METAL CHIP	33K	0.50%	1/16W
R628	1-211-990-11	METAL CHIP	75	0.50%	1/10W	R879	1-208-923-11	METAL CHIP	33K	0.50%	1/16W



REF. NO.	PART NO.	DESCRIPTION	VALUES			REF. NO.	PART NO.	DESCRIPTION	VALUES		
R880	1-208-923-11	METAL CHIP	33K	0.50%	1/16W	R944	1-208-927-11	METAL CHIP	47K	0.50%	1/16W
R881	1-208-923-11	METAL CHIP	33K	0.50%	1/16W	R945	1-208-927-11	METAL CHIP	47K	0.50%	1/16W
R882	1-208-923-11	METAL CHIP	33K	0.50%	1/16W	R946	1-218-978-11	RES-CHIP	120K	5%	1/16W
R883	1-208-923-11	METAL CHIP	33K	0.50%	1/16W	R947	1-218-978-11	RES-CHIP	120K	5%	1/16W
R884	1-208-923-11	METAL CHIP	33K	0.50%	1/16W	R948	1-218-977-11	RES-CHIP	100K	5%	1/16W
R885	1-208-923-11	METAL CHIP	33K	0.50%	1/16W	R949	1-218-965-11	RES-CHIP	10K	5%	1/16W
R886	1-208-905-11	METAL CHIP	5.6K	0.50%	1/16W	R950	1-218-965-11	RES-CHIP	10K	5%	1/16W
R887	1-208-905-11	METAL CHIP	5.6K	0.50%	1/16W	R951	1-218-963-11	RES-CHIP	6.8K	5%	1/16W
R888	1-218-973-11	RES-CHIP	47K	5%	1/16W	R952	1-216-295-91	SHORT CHIP			
R889	1-218-973-11	RES-CHIP	47K	5%	1/16W	R953	1-216-295-91	SHORT CHIP			
R892	1-218-965-11	RES-CHIP	10K	5%	1/16W	R954	1-216-295-91	SHORT CHIP			
R893	1-218-965-11	RES-CHIP	10K	5%	1/16W	R955	1-216-295-91	SHORT CHIP			
R894	1-218-973-11	RES-CHIP	47K	5%	1/16W	R956	1-216-813-11	METAL CHIP	220	5%	1/10W
R895	1-208-699-11	METAL CHIP	4.7K	0.50%	1/16W	R957	1-216-813-11	METAL CHIP	220	5%	1/10W
R898	1-208-699-11	METAL CHIP	4.7K	0.50%	1/16W	R958	1-218-965-11	RES-CHIP	10K	5%	1/16W
R899	1-208-711-11	METAL CHIP	15K	0.50%	1/16W	R959	1-218-977-11	RES-CHIP	100K	5%	1/16W
R900	1-208-697-11	METAL CHIP	3.9K	0.50%	1/16W	R960	1-218-977-11	RES-CHIP	100K	5%	1/16W
R901	1-208-697-11	METAL CHIP	3.9K	0.50%	1/16W	R961	1-218-973-11	RES-CHIP	47K	5%	1/16W
R903	1-218-973-11	RES-CHIP	47K	5%	1/16W	R962	1-218-959-11	RES-CHIP	3.3K	5%	1/16W
R904	1-208-711-11	METAL CHIP	15K	0.50%	1/16W	R969	1-216-813-11	METAL CHIP	220	5%	1/10W
R905	1-218-965-11	RES-CHIP	10K	5%	1/16W	R974	1-218-977-11	RES-CHIP	100K	5%	1/16W
R907	1-208-711-11	METAL CHIP	15K	0.50%	1/16W	R975	1-218-965-11	RES-CHIP	10K	5%	1/16W
R908	1-218-965-11	RES-CHIP	10K	5%	1/16W	R976	1-218-941-81	RES-CHIP	100	5%	1/16W
R909	1-208-703-11	METAL CHIP	6.8K	0.50%	1/16W	R977	1-218-953-11	RES-CHIP	1K	5%	1/16W
R910	1-208-703-11	METAL CHIP	6.8K	0.50%	1/16W	R979	1-218-965-11	RES-CHIP	10K	5%	1/16W
R911	1-208-711-11	METAL CHIP	15K	0.50%	1/16W	R980	1-218-941-81	RES-CHIP	100	5%	1/16W
R915	1-218-985-11	RES-CHIP	470K	5%	1/16W	R981	1-218-941-81	RES-CHIP	100	5%	1/16W
R916	1-218-985-11	RES-CHIP	470K	5%	1/16W	R982	1-218-965-11	RES-CHIP	10K	5%	1/16W
R918	1-208-691-11	METAL CHIP	2.2K	0.50%	1/16W	R986	1-216-813-11	METAL CHIP	220	5%	1/10W
R919	1-208-691-11	METAL CHIP	2.2K	0.50%	1/16W	R997	1-218-990-81	SHORT CHIP			
R920	1-218-965-11	RES-CHIP	10K	5%	1/16W	R998	1-218-990-81	SHORT CHIP			
R923	1-218-973-11	RES-CHIP	47K	5%	1/16W	R1202	1-218-941-81	RES-CHIP	100	5%	1/16W
R927	1-218-969-11	RES-CHIP	22K	5%	1/16W	R1203	1-218-941-81	RES-CHIP	100	5%	1/16W
R928	1-218-969-11	RES-CHIP	22K	5%	1/16W	R1207	1-218-965-11	RES-CHIP	10K	5%	1/16W
R930	1-218-973-11	RES-CHIP	47K	5%	1/16W	R1210	1-218-965-11	RES-CHIP	10K	5%	1/16W
R931	1-218-973-11	RES-CHIP	47K	5%	1/16W	R1211	1-218-977-11	RES-CHIP	100K	5%	1/16W
R932	1-218-977-11	RES-CHIP	100K	5%	1/16W	R1212	1-218-965-11	RES-CHIP	10K	5%	1/16W
R933	1-218-959-11	RES-CHIP	3.3K	5%	1/16W	R1213	1-218-965-11	RES-CHIP	10K	5%	1/16W
R935	1-208-935-11	METAL CHIP	100K	0.50%	1/16W	R1214	1-218-977-11	RES-CHIP	100K	5%	1/16W
R938	1-208-699-11	METAL CHIP	4.7K	0.50%	1/16W	R1215	1-218-965-11	RES-CHIP	10K	5%	1/16W
R939	1-208-699-11	METAL CHIP	4.7K	0.50%	1/16W	R1216	1-218-977-11	RES-CHIP	100K	5%	1/16W
R940	1-208-911-11	METAL CHIP	10K	0.50%	1/16W	R1217	1-218-937-11	RES-CHIP	47	5%	1/16W
R941	1-218-973-11	RES-CHIP	47K	5%	1/16W	R1219	1-218-990-81	SHORT CHIP			
R942	1-218-973-11	RES-CHIP	47K	5%	1/16W	R1220	1-218-957-11	RES-CHIP	2.2K	5%	1/16W
R943	1-208-911-11	METAL CHIP	10K	0.50%	1/16W	R1221	1-218-937-11	RES-CHIP	47	5%	1/16W



REF. NO.	PART NO.	DESCRIPTION	VALUES			REF. NO.	PART NO.	DESCRIPTION	VALUES		
R1222	1-218-957-11	RES-CHIP	2.2K	5%	1/16W	R1294	1-218-941-81	RES-CHIP	100	5%	1/16W
R1223	1-218-937-11	RES-CHIP	47	5%	1/16W	R1295	1-218-941-81	RES-CHIP	100	5%	1/16W
R1225	1-218-965-11	RES-CHIP	10K	5%	1/16W	R1296	1-218-953-11	RES-CHIP	1K	5%	1/16W
R1226	1-218-990-81	SHORT CHIP				R1297	1-218-941-81	RES-CHIP	100	5%	1/16W
R1228	1-218-965-11	RES-CHIP	10K	5%	1/16W	R1300	1-218-965-11	RES-CHIP	10K	5%	1/16W
R1231	1-218-965-11	RES-CHIP	10K	5%	1/16W	R1301	1-218-937-11	RES-CHIP	47	5%	1/16W
R1232	1-218-949-11	RES-CHIP	470	5%	1/16W	R1302	1-218-953-11	RES-CHIP	1K	5%	1/16W
R1233	1-218-953-11	RES-CHIP	1K	5%	1/16W	R1303	1-218-941-81	RES-CHIP	100	5%	1/16W
R1234	1-218-965-11	RES-CHIP	10K	5%	1/16W	R1305	1-218-937-11	RES-CHIP	47	5%	1/16W
R1236	1-218-953-11	RES-CHIP	1K	5%	1/16W	R1307	1-218-941-81	RES-CHIP	100	5%	1/16W
R1237	1-218-937-11	RES-CHIP	47	5%	1/16W	R1309	1-218-953-11	RES-CHIP	1K	5%	1/16W
R1238	1-218-937-11	RES-CHIP	47	5%	1/16W	R1312	1-218-965-11	RES-CHIP	10K	5%	1/16W
R1247	1-218-941-81	RES-CHIP	100	5%	1/16W	R1315	1-218-953-11	RES-CHIP	1K	5%	1/16W
R1248	1-218-941-81	RES-CHIP	100	5%	1/16W	R1320	1-218-965-11	RES-CHIP	10K	5%	1/16W
R1249	1-218-941-81	RES-CHIP	100	5%	1/16W	R1321	1-218-957-11	RES-CHIP	2.2K	5%	1/16W
R1257	1-218-965-11	RES-CHIP	10K	5%	1/16W	R1322	1-218-965-11	RES-CHIP	10K	5%	1/16W
R1258	1-218-953-11	RES-CHIP	1K	5%	1/16W	R1325	1-218-953-11	RES-CHIP	1K	5%	1/16W
R1259	1-218-977-11	RES-CHIP	100K	5%	1/16W	R1326	1-218-953-11	RES-CHIP	1K	5%	1/16W
R1260	1-218-965-11	RES-CHIP	10K	5%	1/16W	R1327	1-218-953-11	RES-CHIP	1K	5%	1/16W
R1261	1-218-989-11	RES-CHIP	1M	5%	1/16W	R1328	1-218-941-81	RES-CHIP	100	5%	1/16W
R1263	1-218-977-11	RES-CHIP	100K	5%	1/16W	R1329	1-218-941-81	RES-CHIP	100	5%	1/16W
R1264	1-218-949-11	RES-CHIP	470	5%	1/16W	R1336	1-218-949-11	RES-CHIP	470	5%	1/16W
R1265	1-218-937-11	RES-CHIP	47	5%	1/16W	R1337	1-218-953-11	RES-CHIP	1K	5%	1/16W
R1266	1-218-941-81	RES-CHIP	100	5%	1/16W	R1338	1-218-953-11	RES-CHIP	1K	5%	1/16W
R1268	1-218-937-11	RES-CHIP	47	5%	1/16W	R1339	1-218-965-11	RES-CHIP	10K	5%	1/16W
R1269	1-218-937-11	RES-CHIP	47	5%	1/16W	R1340	1-245-604-11	METAL CHIP	10M	5%	1/16W
R1270	1-218-965-11	RES-CHIP	10K	5%	1/16W	R1342	1-218-981-91	RES-CHIP	220K	5%	1/16W
R1272	1-218-937-11	RES-CHIP	47	5%	1/16W	R1344	1-218-965-11	RES-CHIP	10K	5%	1/16W
R1273	1-218-965-11	RES-CHIP	10K	5%	1/16W	R1346	1-218-965-11	RES-CHIP	10K	5%	1/16W
R1274	1-218-937-11	RES-CHIP	47	5%	1/16W	R1352	1-218-953-11	RES-CHIP	1K	5%	1/16W
R1275	1-218-965-11	RES-CHIP	10K	5%	1/16W	R1353	1-218-957-11	RES-CHIP	2.2K	5%	1/16W
R1278	1-218-937-11	RES-CHIP	47	5%	1/16W	R1360	1-218-965-11	RES-CHIP	10K	5%	1/16W
R1280	1-218-965-11	RES-CHIP	10K	5%	1/16W	R1362	1-218-953-11	RES-CHIP	1K	5%	1/16W
R1281	1-218-941-81	RES-CHIP	100	5%	1/16W	R1363	1-218-990-81	SHORT CHIP			
R1283	1-218-953-11	RES-CHIP	1K	5%	1/16W	R1364	1-218-965-11	RES-CHIP	10K	5%	1/16W
R1284	1-218-941-81	RES-CHIP	100	5%	1/16W	R1451	1-218-959-11	RES-CHIP	3.3K	5%	1/16W
R1285	1-218-965-11	RES-CHIP	10K	5%	1/16W	R1452	1-218-990-81	SHORT CHIP			
R1286	1-218-937-11	RES-CHIP	47	5%	1/16W	R1453	1-208-869-11	METAL CHIP	180	0.50%	1/16W
R1287	1-218-941-81	RES-CHIP	100	5%	1/16W	R1454	1-208-671-11	METAL CHIP	330	0.50%	1/16W
R1288	1-218-965-11	RES-CHIP	10K	5%	1/16W	R1455	1-218-990-81	SHORT CHIP			
R1289	1-218-941-81	RES-CHIP	100	5%	1/16W	R1456	1-208-677-11	METAL CHIP	560	0.50%	1/16W
R1290	1-218-953-11	RES-CHIP	1K	5%	1/16W	R1458	1-208-911-11	METAL CHIP	10K	0.50%	1/16W
R1291	1-218-965-11	RES-CHIP	10K	5%	1/16W	R1460	1-208-699-11	METAL CHIP	4.7K	0.50%	1/16W
R1292	1-218-941-81	RES-CHIP	100	5%	1/16W	R1461	1-218-990-81	SHORT CHIP			
R1293	1-218-941-81	RES-CHIP	100	5%	1/16W	R1462	1-218-990-81	SHORT CHIP			



REF. NO.	PART NO.	DESCRIPTION	VALUES			REF. NO.	PART NO.	DESCRIPTION	VALUES
R1463	1-208-683-11	METAL CHIP	1K	0.50%	1/16W	RB1202	1-234-944-21	RES, NETWORK 47	(1005X4)
R1464	1-208-647-11	METAL CHIP	33	0.50%	1/16W	RB1203	1-234-378-11	RES, NETWORK 10K	(1005X4)
R1469	1-218-965-11	RES-CHIP	10K	5%	1/16W	RB1204	1-234-378-11	RES, NETWORK 10K	(1005X4)
R1601	1-218-965-11	RES-CHIP	10K	5%	1/16W	RB1205	1-234-945-21	RES, NETWORK 100	(1005X4)
R1602	1-218-990-81	SHORT CHIP				RB1206	1-234-945-21	RES, NETWORK 100	(1005X4)
R1604	1-208-683-11	METAL CHIP	1K	0.50%	1/16W	RB1207	1-234-945-21	RES, NETWORK 100	(1005X4)
R1606	1-216-864-11	SHORT CHIP				RB1208	1-234-945-21	RES, NETWORK 100	(1005X4)
R1607	1-218-990-81	SHORT CHIP				RB1209	1-234-945-21	RES, NETWORK 100	(1005X4)
R1608	1-218-990-81	SHORT CHIP				RB1210	1-234-945-21	RES, NETWORK 100	(1005X4)
R1609	1-218-990-81	SHORT CHIP				RB1211	1-234-945-21	RES, NETWORK 100	(1005X4)
R1610	1-208-697-11	METAL CHIP	3.9K	0.50%	1/16W	RB1212	1-234-375-21	RES, NETWORK 1K	(1005X4)
R1611	1-208-675-11	METAL CHIP	470	0.50%	1/16W	RB1213	1-234-375-21	RES, NETWORK 1K	(1005X4)
R1612	1-208-885-11	METAL CHIP	820	0.50%	1/16W	RB1214	1-234-375-21	RES, NETWORK 1K	(1005X4)
R1613	1-218-953-11	RES-CHIP	1K	5%	1/16W	RB1215	1-239-690-81	RESISTOR, NETWORK	2.2K
R1620	1-216-864-11	SHORT CHIP				RB1216	1-239-698-11	RESISTOR, NETWORK	10K
R1625	1-216-295-91	SHORT CHIP				TRANSFORMER			
R1626	1-218-965-11	RES-CHIP	10K	5%	1/16W	TB401	1-780-487-11	S TERMINAL BLOCK	
RESISTOR BRIDGE						TB404	1-821-026-11	OPTICAL OUT TERMINAL	
RB001	1-234-943-21	RES, NETWORK 22	(1005X4)			VARISTOR			
RB002	1-234-943-21	RES, NETWORK 22	(1005X4)			VD016	1-802-090-21	VARISTOR, CHIP	
RB003	1-234-943-21	RES, NETWORK 22	(1005X4)			VD017	1-802-090-21	VARISTOR, CHIP	
RB004	1-234-711-21	RES, CHIP NETWORK	22X8 (3816)			VD018	1-802-090-21	VARISTOR, CHIP	
RB005	1-239-666-81	RESISTOR, NETWORK 22				VD019	1-802-090-21	VARISTOR, CHIP	
RB401	1-246-204-21	RES, CHIP NETWORK	600X8 (3816)			VD020	1-802-090-21	VARISTOR, CHIP	
RB402	1-246-204-21	RES, CHIP NETWORK	600X8 (3816)			VD021	1-802-090-21	VARISTOR, CHIP	
RB403	1-246-204-21	RES, CHIP NETWORK	600X8 (3816)			VD022	1-802-090-21	VARISTOR, CHIP	
RB404	1-246-204-21	RES, CHIP NETWORK	600X8 (3816)			VD023	1-802-090-21	VARISTOR, CHIP	
RB405	1-246-204-21	RES, CHIP NETWORK	600X8 (3816)			VD024	1-802-090-21	VARISTOR, CHIP	
RB406	1-246-204-21	RES, CHIP NETWORK	600X8 (3816)			VD025	1-802-090-21	VARISTOR, CHIP	
RB407	1-246-204-21	RES, CHIP NETWORK	600X8 (3816)			VD026	1-802-090-21	VARISTOR, CHIP	
RB408	1-246-204-21	RES, CHIP NETWORK	600X8 (3816)			VD027	1-802-090-21	VARISTOR, CHIP	
RB409	1-246-204-21	RES, CHIP NETWORK	600X8 (3816)			VD028	1-802-090-21	VARISTOR, CHIP	
RB410	1-246-204-21	RES, CHIP NETWORK	600X8 (3816)			VD029	1-802-090-21	VARISTOR, CHIP	
RB801	1-239-698-11	RESISTOR, NETWORK 10K				VD030	1-802-090-21	VARISTOR, CHIP	
RB802	1-234-381-21	RES, NETWORK 100K	(1005X4)			VD031	1-802-090-21	VARISTOR, CHIP	
RB803	1-234-378-11	RES, NETWORK 10K	(1005X4)			VD032	1-802-090-21	VARISTOR, CHIP	
RB804	1-234-378-11	RES, NETWORK 10K	(1005X4)			VD033	1-802-090-21	VARISTOR, CHIP	
RB805	1-239-674-81	RESISTOR, NETWORK 100				VD440	1-802-090-21	VARISTOR, CHIP	
RB807	1-234-944-21	RES, NETWORK 47	(1005X4)			VD441	1-802-090-21	VARISTOR, CHIP	
RB808	1-239-698-11	RESISTOR, NETWORK 10K				VD442	1-802-090-21	VARISTOR, CHIP	
RB810	1-239-674-81	RESISTOR, NETWORK 100				VD443	1-802-090-21	VARISTOR, CHIP	
RB811	1-239-698-11	RESISTOR, NETWORK 10K				VD444	1-802-090-21	VARISTOR, CHIP	
RB1201	1-234-944-21	RES, NETWORK 47	(1005X4)			VD445	1-802-090-21	VARISTOR, CHIP	
						VD446	1-802-090-21	VARISTOR, CHIP	

NOTE: The components identified by shading and \triangle mark are critical for safety. Replace only with part number specified.

NOTE: Les composants identifiés par un trame et une marque \triangle sont critiques pour la sécurité. Ne les remplacer que par une pièce portant le numéro spécifié.



REF. NO.	PART NO.	DESCRIPTION	VALUES	REF. NO.	PART NO.	DESCRIPTION	VALUES																																																																																																																																																																																																																								
VD447	1-802-090-21	VARISTOR, CHIP		<div style="border: 2px solid black; padding: 5px; display: inline-block; font-size: 2em; font-weight: bold;">DF1</div> <p>A-1256-156-B DF1 BOARD, COMPLETE (KDL-40VL130 ONLY) 2-580-592-01 SCREW, +PSW M3X8</p> <p><u>CAPACITOR</u></p> <table border="1"> <tr> <td>\triangle C6600</td> <td>1-165-794-21</td> <td>MYLAR</td> <td>1μF</td> <td>10%</td> <td>450V</td> </tr> <tr> <td>C6604</td> <td>1-115-339-11</td> <td>CERAMIC CHIP</td> <td>0.1μF</td> <td>10%</td> <td>50V</td> </tr> <tr> <td>\triangle C6606</td> <td>1-165-794-21</td> <td>MYLAR</td> <td>1μF</td> <td>10%</td> <td>450V</td> </tr> <tr> <td>C6609</td> <td>1-107-826-11</td> <td>CERAMIC CHIP</td> <td>0.1μF</td> <td>10%</td> <td>16V</td> </tr> <tr> <td>C6612</td> <td>1-119-891-51</td> <td>CERAMIC</td> <td>220pF</td> <td>10%</td> <td>250V</td> </tr> <tr> <td>C6658</td> <td>1-115-339-11</td> <td>CERAMIC CHIP</td> <td>0.1μF</td> <td>10%</td> <td>50V</td> </tr> <tr> <td>C6700</td> <td>1-100-566-91</td> <td>CERAMIC CHIP</td> <td>0.1μF</td> <td>10%</td> <td>25V</td> </tr> <tr> <td>C6701</td> <td>1-100-566-91</td> <td>CERAMIC CHIP</td> <td>0.1μF</td> <td>10%</td> <td>25V</td> </tr> <tr> <td>C6702</td> <td>1-100-566-91</td> <td>CERAMIC CHIP</td> <td>0.1μF</td> <td>10%</td> <td>25V</td> </tr> <tr> <td>C6703</td> <td>1-100-566-91</td> <td>CERAMIC CHIP</td> <td>0.1μF</td> <td>10%</td> <td>25V</td> </tr> <tr> <td>C6706</td> <td>1-162-970-11</td> <td>CERAMIC CHIP</td> <td>0.01μF</td> <td>10%</td> <td>25V</td> </tr> <tr> <td>C6707</td> <td>1-162-970-11</td> <td>CERAMIC CHIP</td> <td>0.01μF</td> <td>10%</td> <td>25V</td> </tr> <tr> <td>C6709</td> <td>1-165-157-11</td> <td>CERAMIC</td> <td>39pF</td> <td>5%</td> <td>6.3KV</td> </tr> <tr> <td>C6710</td> <td>1-162-968-11</td> <td>CERAMIC CHIP</td> <td>0.0047μF</td> <td>10%</td> <td>50V</td> </tr> <tr> <td>C6711</td> <td>1-165-157-11</td> <td>CERAMIC</td> <td>39pF</td> <td>5%</td> <td>6.3KV</td> </tr> <tr> <td>C6712</td> <td>1-162-968-11</td> <td>CERAMIC CHIP</td> <td>0.0047μF</td> <td>10%</td> <td>50V</td> </tr> <tr> <td>C6715</td> <td>1-125-891-11</td> <td>CERAMIC CHIP</td> <td>0.47μF</td> <td>10%</td> <td>10V</td> </tr> <tr> <td>C6716</td> <td>1-162-970-11</td> <td>CERAMIC CHIP</td> <td>0.01μF</td> <td>10%</td> <td>25V</td> </tr> <tr> <td>C6717</td> <td>1-164-217-11</td> <td>CERAMIC CHIP</td> <td>150pF</td> <td>5%</td> <td>50V</td> </tr> <tr> <td>C6718</td> <td>1-162-970-11</td> <td>CERAMIC CHIP</td> <td>0.01μF</td> <td>10%</td> <td>25V</td> </tr> <tr> <td>C6719</td> <td>1-164-315-11</td> <td>CERAMIC CHIP</td> <td>470pF</td> <td>5%</td> <td>50V</td> </tr> <tr> <td>C6720</td> <td>1-162-964-11</td> <td>CERAMIC CHIP</td> <td>0.001μF</td> <td>10%</td> <td>50V</td> </tr> <tr> <td>C6721</td> <td>1-165-908-11</td> <td>CERAMIC CHIP</td> <td>1μF</td> <td>10%</td> <td>10V</td> </tr> <tr> <td>C6723</td> <td>1-165-908-11</td> <td>CERAMIC CHIP</td> <td>1μF</td> <td>10%</td> <td>10V</td> </tr> <tr> <td>C6724</td> <td>1-127-804-91</td> <td>CERAMIC CHIP</td> <td>100pF</td> <td>1%</td> <td>50V</td> </tr> <tr> <td>C6725</td> <td>1-107-826-11</td> <td>CERAMIC CHIP</td> <td>0.1μF</td> <td>10%</td> <td>16V</td> </tr> <tr> <td>C6726</td> <td>1-127-573-11</td> <td>CERAMIC CHIP</td> <td>1μF</td> <td>10%</td> <td>16V</td> </tr> <tr> <td>C6727</td> <td>1-165-908-11</td> <td>CERAMIC CHIP</td> <td>1μF</td> <td>10%</td> <td>10V</td> </tr> <tr> <td>C6728</td> <td>1-162-970-11</td> <td>CERAMIC CHIP</td> <td>0.01μF</td> <td>10%</td> <td>25V</td> </tr> <tr> <td>C6729</td> <td>1-107-882-91</td> <td>ELECT</td> <td>100μF</td> <td>20%</td> <td>16V</td> </tr> <tr> <td>C6730</td> <td>1-162-970-11</td> <td>CERAMIC CHIP</td> <td>0.01μF</td> <td>10%</td> <td>25V</td> </tr> <tr> <td>C6731</td> <td>1-162-964-11</td> <td>CERAMIC CHIP</td> <td>0.001μF</td> <td>10%</td> <td>50V</td> </tr> <tr> <td>C6732</td> <td>1-100-591-91</td> <td>CERAMIC CHIP</td> <td>1μF</td> <td>10%</td> <td>25V</td> </tr> <tr> <td>C6735</td> <td>1-165-176-11</td> <td>CERAMIC CHIP</td> <td>0.047μF</td> <td>10%</td> <td>16V</td> </tr> <tr> <td>C6738</td> <td>1-165-908-11</td> <td>CERAMIC CHIP</td> <td>1μF</td> <td>10%</td> <td>10V</td> </tr> <tr> <td>C6739</td> <td>1-162-970-11</td> <td>CERAMIC CHIP</td> <td>0.01μF</td> <td>10%</td> <td>25V</td> </tr> </table>				\triangle C6600	1-165-794-21	MYLAR	1 μ F	10%	450V	C6604	1-115-339-11	CERAMIC CHIP	0.1 μ F	10%	50V	\triangle C6606	1-165-794-21	MYLAR	1 μ F	10%	450V	C6609	1-107-826-11	CERAMIC CHIP	0.1 μ F	10%	16V	C6612	1-119-891-51	CERAMIC	220pF	10%	250V	C6658	1-115-339-11	CERAMIC CHIP	0.1 μ F	10%	50V	C6700	1-100-566-91	CERAMIC CHIP	0.1 μ F	10%	25V	C6701	1-100-566-91	CERAMIC CHIP	0.1 μ F	10%	25V	C6702	1-100-566-91	CERAMIC CHIP	0.1 μ F	10%	25V	C6703	1-100-566-91	CERAMIC CHIP	0.1 μ F	10%	25V	C6706	1-162-970-11	CERAMIC CHIP	0.01 μ F	10%	25V	C6707	1-162-970-11	CERAMIC CHIP	0.01 μ F	10%	25V	C6709	1-165-157-11	CERAMIC	39pF	5%	6.3KV	C6710	1-162-968-11	CERAMIC CHIP	0.0047 μ F	10%	50V	C6711	1-165-157-11	CERAMIC	39pF	5%	6.3KV	C6712	1-162-968-11	CERAMIC CHIP	0.0047 μ F	10%	50V	C6715	1-125-891-11	CERAMIC CHIP	0.47 μ F	10%	10V	C6716	1-162-970-11	CERAMIC CHIP	0.01 μ F	10%	25V	C6717	1-164-217-11	CERAMIC CHIP	150pF	5%	50V	C6718	1-162-970-11	CERAMIC CHIP	0.01 μ F	10%	25V	C6719	1-164-315-11	CERAMIC CHIP	470pF	5%	50V	C6720	1-162-964-11	CERAMIC CHIP	0.001 μ F	10%	50V	C6721	1-165-908-11	CERAMIC CHIP	1 μ F	10%	10V	C6723	1-165-908-11	CERAMIC CHIP	1 μ F	10%	10V	C6724	1-127-804-91	CERAMIC CHIP	100pF	1%	50V	C6725	1-107-826-11	CERAMIC CHIP	0.1 μ F	10%	16V	C6726	1-127-573-11	CERAMIC CHIP	1 μ F	10%	16V	C6727	1-165-908-11	CERAMIC CHIP	1 μ F	10%	10V	C6728	1-162-970-11	CERAMIC CHIP	0.01 μ F	10%	25V	C6729	1-107-882-91	ELECT	100 μ F	20%	16V	C6730	1-162-970-11	CERAMIC CHIP	0.01 μ F	10%	25V	C6731	1-162-964-11	CERAMIC CHIP	0.001 μ F	10%	50V	C6732	1-100-591-91	CERAMIC CHIP	1 μ F	10%	25V	C6735	1-165-176-11	CERAMIC CHIP	0.047 μ F	10%	16V	C6738	1-165-908-11	CERAMIC CHIP	1 μ F	10%	10V	C6739	1-162-970-11	CERAMIC CHIP	0.01 μ F	10%	25V
\triangle C6600	1-165-794-21	MYLAR	1 μ F					10%	450V																																																																																																																																																																																																																						
C6604	1-115-339-11	CERAMIC CHIP	0.1 μ F					10%	50V																																																																																																																																																																																																																						
\triangle C6606	1-165-794-21	MYLAR	1 μ F					10%	450V																																																																																																																																																																																																																						
C6609	1-107-826-11	CERAMIC CHIP	0.1 μ F					10%	16V																																																																																																																																																																																																																						
C6612	1-119-891-51	CERAMIC	220pF					10%	250V																																																																																																																																																																																																																						
C6658	1-115-339-11	CERAMIC CHIP	0.1 μ F					10%	50V																																																																																																																																																																																																																						
C6700	1-100-566-91	CERAMIC CHIP	0.1 μ F					10%	25V																																																																																																																																																																																																																						
C6701	1-100-566-91	CERAMIC CHIP	0.1 μ F					10%	25V																																																																																																																																																																																																																						
C6702	1-100-566-91	CERAMIC CHIP	0.1 μ F					10%	25V																																																																																																																																																																																																																						
C6703	1-100-566-91	CERAMIC CHIP	0.1 μ F	10%	25V																																																																																																																																																																																																																										
C6706	1-162-970-11	CERAMIC CHIP	0.01 μ F	10%	25V																																																																																																																																																																																																																										
C6707	1-162-970-11	CERAMIC CHIP	0.01 μ F	10%	25V																																																																																																																																																																																																																										
C6709	1-165-157-11	CERAMIC	39pF	5%	6.3KV																																																																																																																																																																																																																										
C6710	1-162-968-11	CERAMIC CHIP	0.0047 μ F	10%	50V																																																																																																																																																																																																																										
C6711	1-165-157-11	CERAMIC	39pF	5%	6.3KV																																																																																																																																																																																																																										
C6712	1-162-968-11	CERAMIC CHIP	0.0047 μ F	10%	50V																																																																																																																																																																																																																										
C6715	1-125-891-11	CERAMIC CHIP	0.47 μ F	10%	10V																																																																																																																																																																																																																										
C6716	1-162-970-11	CERAMIC CHIP	0.01 μ F	10%	25V																																																																																																																																																																																																																										
C6717	1-164-217-11	CERAMIC CHIP	150pF	5%	50V																																																																																																																																																																																																																										
C6718	1-162-970-11	CERAMIC CHIP	0.01 μ F	10%	25V																																																																																																																																																																																																																										
C6719	1-164-315-11	CERAMIC CHIP	470pF	5%	50V																																																																																																																																																																																																																										
C6720	1-162-964-11	CERAMIC CHIP	0.001 μ F	10%	50V																																																																																																																																																																																																																										
C6721	1-165-908-11	CERAMIC CHIP	1 μ F	10%	10V																																																																																																																																																																																																																										
C6723	1-165-908-11	CERAMIC CHIP	1 μ F	10%	10V																																																																																																																																																																																																																										
C6724	1-127-804-91	CERAMIC CHIP	100pF	1%	50V																																																																																																																																																																																																																										
C6725	1-107-826-11	CERAMIC CHIP	0.1 μ F	10%	16V																																																																																																																																																																																																																										
C6726	1-127-573-11	CERAMIC CHIP	1 μ F	10%	16V																																																																																																																																																																																																																										
C6727	1-165-908-11	CERAMIC CHIP	1 μ F	10%	10V																																																																																																																																																																																																																										
C6728	1-162-970-11	CERAMIC CHIP	0.01 μ F	10%	25V																																																																																																																																																																																																																										
C6729	1-107-882-91	ELECT	100 μ F	20%	16V																																																																																																																																																																																																																										
C6730	1-162-970-11	CERAMIC CHIP	0.01 μ F	10%	25V																																																																																																																																																																																																																										
C6731	1-162-964-11	CERAMIC CHIP	0.001 μ F	10%	50V																																																																																																																																																																																																																										
C6732	1-100-591-91	CERAMIC CHIP	1 μ F	10%	25V																																																																																																																																																																																																																										
C6735	1-165-176-11	CERAMIC CHIP	0.047 μ F	10%	16V																																																																																																																																																																																																																										
C6738	1-165-908-11	CERAMIC CHIP	1 μ F	10%	10V																																																																																																																																																																																																																										
C6739	1-162-970-11	CERAMIC CHIP	0.01 μ F	10%	25V																																																																																																																																																																																																																										

VD448	1-802-090-21	VARISTOR, CHIP					
VD449	1-802-090-21	VARISTOR, CHIP					
VD450	1-802-090-21	VARISTOR, CHIP					
VD451	1-802-090-21	VARISTOR, CHIP					
VD452	1-802-090-21	VARISTOR, CHIP					
VD453	1-802-090-21	VARISTOR, CHIP					
VD454	1-802-090-21	VARISTOR, CHIP					
VD455	1-802-090-21	VARISTOR, CHIP					
VD456	1-802-090-21	VARISTOR, CHIP					
VD457	1-802-090-21	VARISTOR, CHIP					
VD458	1-802-090-21	VARISTOR, CHIP					
VD459	1-802-090-21	VARISTOR, CHIP					
VD460	1-802-090-21	VARISTOR, CHIP					
VD461	1-802-090-21	VARISTOR, CHIP					
VD462	1-802-090-21	VARISTOR, CHIP					
VD463	1-802-090-21	VARISTOR, CHIP					
VD464	1-802-090-21	VARISTOR, CHIP					
VD465	1-802-090-21	VARISTOR, CHIP					
VD466	1-802-090-21	VARISTOR, CHIP					
VD467	1-802-090-21	VARISTOR, CHIP					
VD468	1-802-090-21	VARISTOR, CHIP					
VD469	1-802-090-21	VARISTOR, CHIP					
VD1602	1-802-090-21	VARISTOR, CHIP					
CRYSTAL							
X401	1-813-124-21	VIBRATOR, CERAMIC					
X801	1-813-462-11	VIBRATOR, CRYSTAL	24.576MHZ				
X1201	1-813-999-11	VIBRATOR, CRYSTAL					
X1202	1-814-004-11	VIBRATOR, CRYSTAL					

NOTE: The components identified by shading and \triangle mark are critical for safety. Replace only with part number specified.

NOTE: Les composants identifiés par un trame et une marque \triangle sont critiques pour la sécurité. Ne les remplacer que par une pièce portant le numéro spécifié.

DF1

REF. NO.	PART NO.	DESCRIPTION	VALUES	REF. NO.	PART NO.	DESCRIPTION	VALUES
C6740	1-107-882-91	ELECT	100 μ F 20% 16V	D6624	8-719-083-57	DIODE	UDZSNPTE-173.6B
C6741	1-165-908-11	CERAMIC CHIP	1 μ F 10% 10V	D6625	6-500-137-01	DIODE	BAT54HT1
C6742	1-100-566-91	CERAMIC CHIP	0.1 μ F 10% 25V	D6700	6-501-730-01	DIODE	MAZ8051GMLS0
C6743	1-100-566-91	CERAMIC CHIP	0.1 μ F 10% 25V	D6701	6-501-730-01	DIODE	MAZ8051GMLS0
C6744	1-100-566-91	CERAMIC CHIP	0.1 μ F 10% 25V	D6702	6-501-817-01	DIODE	MA2J1110GLS0
C6745	1-107-877-11	ELECT	1000 μ F 20% 10V	D6703	6-501-817-01	DIODE	MA2J1110GLS0
C6746	1-100-566-91	CERAMIC CHIP	0.1 μ F 10% 25V	D6704	8-719-062-51	DIODE	1PS226-115
C6747	1-100-566-91	CERAMIC CHIP	0.1 μ F 10% 25V	D6705	8-719-062-51	DIODE	1PS226-115
C6748	1-165-908-11	CERAMIC CHIP	1 μ F 10% 10V	D6708	6-501-817-01	DIODE	MA2J1110GLS0
C6749	1-100-566-91	CERAMIC CHIP	0.1 μ F 10% 25V	D6709	6-501-740-01	DIODE	MAZ8068G0LS0
C6750	1-162-970-11	CERAMIC CHIP	0.01 μ F 10% 25V	D6710	6-501-740-01	DIODE	MAZ8068G0LS0
C6753	1-107-906-11	ELECT	10 μ F 20% 50V	D6714	6-501-717-01	DIODE	MAZ8039G0LS0
C6754	1-107-826-11	CERAMIC CHIP	0.1 μ F 10% 16V	D6715	6-501-717-01	DIODE	MAZ8039G0LS0
C6755	1-162-964-11	CERAMIC CHIP	0.001 μ F 10% 50V	D6717	6-500-335-01	DIODE	MC2838-T112-1
C6756	1-100-566-91	CERAMIC CHIP	0.1 μ F 10% 25V	D6718	6-501-817-01	DIODE	MA2J1110GLS0
C6757	1-100-566-91	CERAMIC CHIP	0.1 μ F 10% 25V	D6720	8-719-062-51	DIODE	1PS226-115
C6759	1-107-882-91	ELECT	100 μ F 20% 16V	D6721	6-501-768-01	DIODE	MAZ8120GMLS0
C6785	1-100-566-91	CERAMIC CHIP	0.1 μ F 10% 25V	GROUND TERMINAL BOARD			
C6789	1-107-882-91	ELECT	100 μ F 20% 16V	ET6700	1-537-770-21	TERMINAL BOARD, GROUND	
C6794	1-100-566-91	CERAMIC CHIP	0.1 μ F 10% 25V	ET6701	1-537-770-21	TERMINAL BOARD, GROUND	
C6795	1-162-979-11	CERAMIC CHIP	0.0027 μ F 10% 50V	FERRITE BEAD			
C6796	1-107-826-11	CERAMIC CHIP	0.1 μ F 10% 16V	FB6600	1-412-911-11	FERRITE	0 μ H
\triangle C6797	1-165-794-21	MYLAR	1 μ F 10% 450V	FB6601	1-410-396-41	FERRITE	0.45 μ H
CONNECTOR				FB6602	1-412-911-11	FERRITE	0 μ H
\triangle * CN6600	1-793-660-11	PIN, CONNECTOR (PC BOARD)	3P	FB6603	1-410-396-41	FERRITE	0.45 μ H
* CN6707	1-779-944-21	PIN, CONNECTOR (PC BOARD)	4P	FB6604	1-412-911-11	FERRITE	0 μ H
* CN6708	1-785-701-21	PIN, CONNECTOR (PC BOARD)	3P	FB6605	1-410-396-41	FERRITE	0.45 μ H
DIODE				FB6606	1-412-911-11	FERRITE	0 μ H
D6600	6-501-818-01	DIODE	MA2J1130GLS0	FB6607	1-410-396-41	FERRITE	0.45 μ H
D6601	6-501-818-01	DIODE	MA2J1130GLS0	FB6608	1-481-256-11	FERRITE	0 μ H
D6604	6-501-497-01	DIODE	S3L60F	FB6609	1-481-256-11	FERRITE	0 μ H
D6605	6-501-497-01	DIODE	S3L60F	IC			
D6606	6-501-497-01	DIODE	S3L60F	IC6702	6-708-762-01	IC	PQ200WNA1ZPH
D6607	6-501-497-01	DIODE	S3L60F	* IC6703	8-759-575-27	IC	BA10339F-E2
D6608	6-501-818-01	DIODE	MA2J1130GLS0	IC6704	6-709-368-01	IC	MM1431ATT (CN)
D6609	6-501-818-01	DIODE	MA2J1130GLS0	CHIP CONDUCTOR			
D6612	6-501-497-01	DIODE	S3L60F	JR6700	1-216-296-11	SHORT CHIP	
D6613	6-501-497-01	DIODE	S3L60F	JR6701	1-216-296-11	SHORT CHIP	
D6614	6-501-497-01	DIODE	S3L60F	JR6702	1-216-296-11	SHORT CHIP	
D6615	6-501-497-01	DIODE	S3L60F	JR6703	1-216-296-11	SHORT CHIP	
D6620	8-719-083-57	DIODE	UDZSNPTE-173.6B	JR6704	1-216-296-11	SHORT CHIP	
D6621	8-719-083-57	DIODE	UDZSNPTE-173.6B				
D6623	8-719-083-57	DIODE	UDZSNPTE-173.6B				

NOTE: The components identified by shading and \triangle mark are critical for safety. Replace only with part number specified.

NOTE: Les composants identifiés par un trame et une marque \triangle sont critiques pour la sécurité. Ne les remplacer que par une pièce portant le numéro spécifié.

REF. NO.	PART NO.	DESCRIPTION	VALUES	REF. NO.	PART NO.	DESCRIPTION	VALUES
JR6705	1-216-296-11	SHORT CHIP		R6616	1-216-833-11	METAL CHIP	10K 5% 1/10W
JR6706	1-216-296-11	SHORT CHIP		R6617	1-216-833-11	METAL CHIP	10K 5% 1/10W
JR6707	1-216-296-11	SHORT CHIP		R6619	1-216-857-11	METAL CHIP	1M 5% 1/10W
JR6708	1-216-296-11	SHORT CHIP		R6632	1-216-057-00	RES-CHIP	2.2K 5% 1/10W
JR6709	1-216-296-11	SHORT CHIP		R6633	1-216-057-00	RES-CHIP	2.2K 5% 1/10W
JR6710	1-216-296-11	SHORT CHIP		R6634	1-216-057-00	RES-CHIP	2.2K 5% 1/10W
JR6711	1-216-864-11	SHORT CHIP		R6635	1-216-057-00	RES-CHIP	2.2K 5% 1/10W
JR6714	1-216-296-11	SHORT CHIP		R6636	1-216-864-11	SHORT CHIP	
JR6717	1-216-864-11	SHORT CHIP		R6637	1-216-864-11	SHORT CHIP	
JR6718	1-216-864-11	SHORT CHIP		R6638	1-216-864-11	SHORT CHIP	
JR6719	1-216-296-11	SHORT CHIP		R6639	1-216-864-11	SHORT CHIP	
JR6721	1-216-296-11	SHORT CHIP		R6700	1-216-793-11	METAL CHIP	4.7 5% 1/10W
JR6724	1-216-296-11	SHORT CHIP		R6701	1-216-793-11	METAL CHIP	4.7 5% 1/10W
JR6725	1-216-864-11	SHORT CHIP		R6702	1-216-793-11	METAL CHIP	4.7 5% 1/10W
JR6726	1-216-296-11	SHORT CHIP		R6703	1-216-793-11	METAL CHIP	4.7 5% 1/10W
COIL				R6704	1-216-793-11	METAL CHIP	4.7 5% 1/10W
\triangle L6600	1-406-976-11	INDUCTOR	68 μ H	R6705	1-216-833-11	METAL CHIP	10K 5% 1/10W
TRANSISTOR				R6706	1-216-833-11	METAL CHIP	10K 5% 1/10W
Q6600	8-729-804-41	TRANSISTOR	2SB1122-S	R6707	1-216-833-11	METAL CHIP	10K 5% 1/10W
Q6601	8-729-804-41	TRANSISTOR	2SB1122-S	R6708	1-216-833-11	METAL CHIP	10K 5% 1/10W
Q6604	8-729-804-41	TRANSISTOR	2SB1122-S	R6710	1-243-831-71	METAL OXIDE	12 5% 1W
Q6605	8-729-804-41	TRANSISTOR	2SB1122-S	R6711	1-243-831-71	METAL OXIDE	12 5% 1W
Q6704	8-729-028-27	TRANSISTOR	2SK2009(TE85L)	R6712	1-243-831-71	METAL OXIDE	12 5% 1W
Q6705	8-729-620-07	TRANSISTOR	2SC3052EF-T1-LEF	R6713	1-243-831-71	METAL OXIDE	12 5% 1W
Q6711	8-729-620-07	TRANSISTOR	2SC3052EF-T1-LEF	R6714	1-216-836-11	METAL CHIP	18K 5% 1/10W
Q6712	6-551-696-01	TRANSISTOR	ISA1235AC1TP-1EF	R6715	1-216-837-11	METAL CHIP	22K 5% 1/10W
Q6714	6-551-696-01	TRANSISTOR	ISA1235AC1TP-1EF	R6716	1-216-825-11	METAL CHIP	2.2K 5% 1/10W
RESISTOR				R6721	1-216-817-11	METAL CHIP	470 5% 1/10W
R6600	1-216-057-00	RES-CHIP	2.2K 5% 1/10W	R6722	1-218-897-11	METAL CHIP	120K 0.50% 1/10W
R6601	1-216-057-00	RES-CHIP	2.2K 5% 1/10W	R6723	1-218-871-11	METAL CHIP	10K 0.50% 1/10W
R6602	1-249-403-11	CARBON	68 5% 1/4W	R6724	1-216-864-11	SHORT CHIP	
R6603	1-249-403-11	CARBON	68 5% 1/4W	R6725	1-218-891-11	METAL CHIP	68K 0.50% 1/10W
R6604	1-216-793-11	METAL CHIP	4.7 5% 1/10W	R6727	1-216-841-11	METAL CHIP	47K 5% 1/10W
R6605	1-216-793-11	METAL CHIP	4.7 5% 1/10W	R6729	1-216-829-11	METAL CHIP	4.7K 5% 1/10W
R6606	1-216-833-11	METAL CHIP	10K 5% 1/10W	R6730	1-216-829-11	METAL CHIP	4.7K 5% 1/10W
R6607	1-216-833-11	METAL CHIP	10K 5% 1/10W	R6731	1-216-837-11	METAL CHIP	22K 5% 1/10W
R6609	1-216-857-11	METAL CHIP	1M 5% 1/10W	R6733	1-218-863-11	METAL CHIP	4.7K 0.50% 1/10W
R6610	1-216-057-00	RES-CHIP	2.2K 5% 1/10W	R6734	1-216-833-11	METAL CHIP	10K 5% 1/10W
R6611	1-216-057-00	RES-CHIP	2.2K 5% 1/10W	R6736	1-218-885-11	METAL CHIP	39K 0.50% 1/10W
R6612	1-249-403-11	CARBON	68 5% 1/4W	R6737	1-216-821-11	METAL CHIP	1K 5% 1/10W
R6613	1-249-403-11	CARBON	68 5% 1/4W	R6750	1-218-895-11	METAL CHIP	100K 0.50% 1/10W
R6614	1-216-793-11	METAL CHIP	4.7 5% 1/10W	R6751	1-218-871-11	METAL CHIP	10K 0.50% 1/10W
R6615	1-216-793-11	METAL CHIP	4.7 5% 1/10W	R6752	1-211-981-11	METAL CHIP	33 0.50% 1/10W

NOTE: The components identified by shading and \triangle mark are critical for safety. Replace only with part number specified.

NOTE: Les composants identifiés par un trame et une marque \triangle sont critiques pour la sécurité. Ne les remplacer que par une pièce portant le numéro spécifié.

DF1 **DF4** **DF5**

REF. NO.	PART NO.	DESCRIPTION	VALUES			REF. NO.	PART NO.	DESCRIPTION	VALUES		
R6754	1-211-981-11	METAL CHIP	33	0.50%	1/10W	R6822	1-216-864-11	SHORT CHIP			
R6755	1-216-861-11	METAL CHIP	2.2M	5%	1/10W	R6909	1-216-821-11	METAL CHIP	1K	5%	1/10W
R6756	1-211-981-11	METAL CHIP	33	0.50%	1/10W	R6911	1-216-845-11	METAL CHIP	100K	5%	1/10W
R6757	1-216-833-11	METAL CHIP	10K	5%	1/10W	R6913	1-216-864-11	SHORT CHIP			
R6758	1-211-981-11	METAL CHIP	33	0.50%	1/10W	R6914	1-218-847-11	METAL CHIP	1K	0.50%	1/10W
R6760	1-218-847-11	METAL CHIP	1K	0.50%	1/10W	TRANSFORMER					
R6761	1-218-853-11	METAL CHIP	1.8K	0.50%	1/10W	\triangle T6600	8-597-057-00	TRANSFORMER, HIGH-VOLTAGE INSU			
R6762	1-211-983-11	METAL CHIP	39	0.50%	1/10W	\triangle T6800	1-445-237-11	TRANSFORMER, DRIVE			
R6763	1-218-863-11	METAL CHIP	4.7K	0.50%	1/10W	\triangle T6801	8-597-057-00	TRANSFORMER, HIGH-VOLTAGE INSU			
R6764	1-211-985-11	METAL CHIP	47	0.50%	1/10W	DF4 DF5					
R6766	1-216-864-11	SHORT CHIP				A-1253-587-B DF4 BOARD, MOUNTED					
R6767	1-216-830-11	METAL CHIP	5.6K	5%	1/10W	A-1253-588-B DF5 BOARD, MOUNTED					
R6770	1-218-863-11	METAL CHIP	4.7K	0.50%	1/10W	(ALL EXCEPT KDL-40VL130)					
R6771	1-218-871-11	METAL CHIP	10K	0.50%	1/10W	The following are the components of the					
R6772	1-218-871-11	METAL CHIP	10K	0.50%	1/10W	DF4 and the DF5 Boards.					
R6773	1-216-833-11	METAL CHIP	10K	5%	1/10W	2-580-592-01	SCREW, +PSW M3X8				
R6775	1-216-845-11	METAL CHIP	100K	5%	1/10W	2-580-592-01	SCREW, +PSW M3X8				
R6776	1-218-847-11	METAL CHIP	1K	0.50%	1/10W	CAPACITOR					
R6777	1-218-895-11	METAL CHIP	100K	0.50%	1/10W	\triangle C6400	1-112-744-61	MYLAR	1 μ F	10%	450V
R6778	1-218-895-11	METAL CHIP	100K	0.50%	1/10W	\triangle C6405	1-112-744-61	MYLAR	1 μ F	10%	450V
R6779	1-218-871-11	METAL CHIP	10K	0.50%	1/10W	C6406	1-162-964-11	CERAMIC CHIP	0.001 μ F	10%	50V
R6780	1-216-864-11	SHORT CHIP				C6407	1-162-964-11	CERAMIC CHIP	0.001 μ F	10%	50V
R6782	1-216-842-11	METAL CHIP	56K	5%	1/10W	C6412	1-119-891-51	CERAMIC	220pF	10%	250V
R6783	1-216-833-11	METAL CHIP	10K	5%	1/10W	\triangle C6413	1-112-744-61	MYLAR	1 μ F	10%	450V
R6786	1-216-829-11	METAL CHIP	4.7K	5%	1/10W	C6415	1-115-339-11	CERAMIC CHIP	0.1 μ F	10%	50V
R6787	1-216-817-11	METAL CHIP	470	5%	1/10W	C6416	1-115-339-11	CERAMIC CHIP	0.1 μ F	10%	50V
R6788	1-216-864-11	SHORT CHIP				C6500	1-162-970-11	CERAMIC CHIP	0.01 μ F	10%	25V
R6789	1-218-887-11	METAL CHIP	47K	0.50%	1/10W	C6501	1-112-737-11	CERAMIC	27pF	5%	6.3KV
R6790	1-218-883-11	METAL CHIP	33K	0.50%	1/10W	C6502	1-162-970-11	CERAMIC CHIP	0.01 μ F	10%	25V
R6792	1-216-837-11	METAL CHIP	22K	5%	1/10W	C6503	1-112-737-11	CERAMIC	27pF	5%	6.3KV
R6793	1-216-833-11	METAL CHIP	10K	5%	1/10W	C6504	1-112-740-91	CERAMIC	10pF	5%	3KV
R6794	1-218-871-11	METAL CHIP	10K	0.50%	1/10W	C6505	1-112-740-91	CERAMIC	10pF	5%	3KV
R6795	1-216-841-11	METAL CHIP	47K	5%	1/10W	C6506	1-164-730-11	CERAMIC CHIP	0.0012 μ F	10%	50V
R6802	1-218-871-11	METAL CHIP	10K	0.50%	1/10W	C6507	1-112-740-91	CERAMIC	10pF	5%	3KV
R6804	1-249-381-11	CARBON	1	5%	1/4W	C6508	1-112-740-91	CERAMIC	10pF	5%	3KV
R6805	1-216-793-11	METAL CHIP	4.7	5%	1/10W	C6509	1-164-730-11	CERAMIC CHIP	0.0012 μ F	10%	50V
R6809	1-216-825-11	METAL CHIP	2.2K	5%	1/10W	C6512	1-100-566-91	CERAMIC CHIP	0.1 μ F	10%	25V
R6810	1-218-875-11	METAL CHIP	15K	0.50%	1/10W	C6513	1-100-566-91	CERAMIC CHIP	0.1 μ F	10%	25V
R6811	1-218-871-11	METAL CHIP	10K	0.50%	1/10W						
R6816	1-216-864-11	SHORT CHIP									
R6820	1-216-864-11	SHORT CHIP									
R6821	1-216-864-11	SHORT CHIP									

NOTE: The components identified by shading and Δ mark are critical for safety. Replace only with part number specified.

NOTE: Les composants identifiés par un trame et une marque Δ sont critiques pour la sécurité. Ne les remplacer que par une pièce portant le numéro spécifique.

DF4 **DF5**

REF. NO.	PART NO.	DESCRIPTION	VALUES	REF. NO.	PART NO.	DESCRIPTION	VALUES
C6514	1-100-566-91	CERAMIC CHIP	0.1 μ F 10% 25V	C6742	1-100-566-91	CERAMIC CHIP	0.1 μ F 10% 25V
C6515	1-100-566-91	CERAMIC CHIP	0.1 μ F 10% 25V	C6743	1-100-566-91	CERAMIC CHIP	0.1 μ F 10% 25V
C6518	1-107-882-91	ELECT	100 μ F 20% 16V	C6744	1-100-566-91	CERAMIC CHIP	0.1 μ F 10% 25V
C6519	1-162-964-11	CERAMIC CHIP	0.001 μ F 10% 50V	C6745	1-107-877-11	ELECT	1000 μ F 20% 10V
Δ C6520	1-112-744-61	MYLAR	1 μ F 10% 450V	C6746	1-100-566-91	CERAMIC CHIP	0.1 μ F 10% 25V
Δ C6521	1-112-744-61	MYLAR	1 μ F 10% 450V	C6747	1-100-566-91	CERAMIC CHIP	0.1 μ F 10% 25V
Δ C6600	1-112-744-61	MYLAR	1 μ F 10% 450V	C6748	1-165-908-11	CERAMIC CHIP	1 μ F 10% 10V
C6601	1-162-964-11	CERAMIC CHIP	0.001 μ F 10% 50V	C6749	1-100-566-91	CERAMIC CHIP	0.1 μ F 10% 25V
C6602	1-162-964-11	CERAMIC CHIP	0.001 μ F 10% 50V	C6750	1-162-970-11	CERAMIC CHIP	0.01 μ F 10% 25V
Δ C6606	1-112-744-61	MYLAR	1 μ F 10% 450V	C6751	1-112-737-11	CERAMIC	27pF 5% 6.3KV
Δ C6611	1-112-744-61	MYLAR	1 μ F 10% 450V	C6753	1-107-906-11	ELECT	10 μ F 20% 50V
C6654	1-119-891-51	CERAMIC	220pF 10% 250V	C6754	1-107-826-11	CERAMIC CHIP	0.1 μ F 10% 16V
C6658	1-115-339-11	CERAMIC CHIP	0.1 μ F 10% 50V	C6755	1-115-416-11	CERAMIC CHIP	0.001 μ F 5% 25V
C6659	1-115-339-11	CERAMIC CHIP	0.1 μ F 10% 50V	C6756	1-107-882-91	ELECT	100 μ F 20% 16V
C6700	1-100-566-91	CERAMIC CHIP	0.1 μ F 10% 25V	C6757	1-165-176-11	CERAMIC CHIP	0.047 μ F 10% 16V
C6701	1-100-566-91	CERAMIC CHIP	0.1 μ F 10% 25V	C6758	1-100-566-91	CERAMIC CHIP	0.1 μ F 10% 25V
C6702	1-100-566-91	CERAMIC CHIP	0.1 μ F 10% 25V	C6759	1-162-927-11	CERAMIC CHIP	100pF 5% 50V
C6703	1-100-566-91	CERAMIC CHIP	0.1 μ F 10% 25V	C6760	1-162-927-11	CERAMIC CHIP	100pF 5% 50V
C6706	1-162-970-11	CERAMIC CHIP	0.01 μ F 10% 25V	C6761	1-107-882-91	ELECT	100 μ F 20% 16V
C6707	1-162-970-11	CERAMIC CHIP	0.01 μ F 10% 25V	C6762	1-100-566-91	CERAMIC CHIP	0.1 μ F 10% 25V
C6709	1-112-740-91	CERAMIC	10pF 5% 3KV	C6763	1-100-566-91	CERAMIC CHIP	0.1 μ F 10% 25V
C6710	1-164-730-11	CERAMIC CHIP	0.0012 μ F 10% 50V	C6764	1-107-826-11	CERAMIC CHIP	0.1 μ F 10% 16V
C6711	1-112-740-91	CERAMIC	10pF 5% 3KV	C6785	1-100-566-91	CERAMIC CHIP	0.1 μ F 10% 25V
C6712	1-164-730-11	CERAMIC CHIP	0.0012 μ F 10% 50V	C6794	1-100-566-91	CERAMIC CHIP	0.1 μ F 10% 25V
C6715	1-125-891-11	CERAMIC CHIP	0.47 μ F 10% 10V	C6795	1-162-964-11	CERAMIC CHIP	0.001 μ F 10% 50V
C6716	1-162-970-11	CERAMIC CHIP	0.01 μ F 10% 25V	C6796	1-107-826-11	CERAMIC CHIP	0.1 μ F 10% 16V
C6717	1-164-217-11	CERAMIC CHIP	150pF 5% 50V	Δ C6797	1-112-744-61	MYLAR	1 μ F 10% 450V
C6718	1-162-970-11	CERAMIC CHIP	0.01 μ F 10% 25V	Δ C6798	1-112-744-61	MYLAR	1 μ F 10% 450V
C6719	1-162-962-11	CERAMIC CHIP	470pF 10% 50V	C6799	1-162-964-11	CERAMIC CHIP	0.001 μ F 10% 50V
C6720	1-112-740-91	CERAMIC	10pF 5% 3KV				
C6721	1-165-908-11	CERAMIC CHIP	1 μ F 10% 10V	CONNECTOR			
C6722	1-112-740-91	CERAMIC	10pF 5% 3KV	Δ * CN6400	1-793-660-11	PIN, CONNECTOR (PC BOARD)	
C6723	1-165-908-11	CERAMIC CHIP	1 μ F 10% 10V	* CN6503	1-793-236-11	PIN, CONNECTOR (PC BOARD)	14P
C6724	1-127-804-91	CERAMIC CHIP	100pF 1% 50V	* CN6504	1-779-944-21	PIN, CONNECTOR (PC BOARD)	4P
C6725	1-107-826-11	CERAMIC CHIP	0.1 μ F 10% 16V	* CN6505	1-785-701-21	PIN, CONNECTOR (PC BOARD)	
C6726	1-127-573-11	CERAMIC CHIP	1 μ F 10% 16V	Δ * CN6600	1-793-660-11	PIN, CONNECTOR (PC BOARD)	
C6727	1-165-908-11	CERAMIC CHIP	1 μ F 10% 10V	* CN6704	1-793-236-11	PIN, CONNECTOR (PC BOARD)	14P
C6729	1-107-882-91	ELECT	100 μ F 20% 16V	* CN6707	1-779-944-21	PIN, CONNECTOR (PC BOARD)	4P
C6730	1-162-970-11	CERAMIC CHIP	0.01 μ F 10% 25V	* CN6708	1-785-701-21	PIN, CONNECTOR (PC BOARD)	
C6732	1-100-591-91	CERAMIC CHIP	1 μ F 10% 25V	DIODE			
C6735	1-112-737-11	CERAMIC	27pF 5% 6.3KV	D6400	6-501-497-01	DIODE	S3L60F
C6738	1-165-908-11	CERAMIC CHIP	1 μ F 10% 10V	D6401	6-501-497-01	DIODE	S3L60F
C6739	1-162-970-11	CERAMIC CHIP	0.01 μ F 10% 25V	D6402	6-501-818-01	DIODE	MA2J1130GLS0
C6740	1-107-882-91	ELECT	100 μ F 20% 16V	D6403	6-501-818-01	DIODE	MA2J1130GLS0
C6741	1-165-908-11	CERAMIC CHIP	1 μ F 10% 10V	D6404	6-501-497-01	DIODE	S3L60F

DF4	DF5
-----	-----

REF. NO.	PART NO.	DESCRIPTION	VALUES	REF. NO.	PART NO.	DESCRIPTION	VALUES
D6405	6-501-497-01	DIODE	S3L60F	D6717	6-500-335-01	DIODE	MC2838-T112-1
D6406	6-501-818-01	DIODE	MA2J1130GLS0	D6718	6-501-817-01	DIODE	MA2J1110GLS0
D6407	6-501-818-01	DIODE	MA2J1130GLS0	D6720	8-719-062-51	DIODE	1PS226-115
D6412	6-501-497-01	DIODE	S3L60F	D6721	6-501-768-01	DIODE	MAZ8120GMLS0
D6413	6-501-497-01	DIODE	S3L60F	D6722	6-500-137-01	DIODE	BAT54HT1
D6414	6-501-497-01	DIODE	S3L60F	FERRITE BEAD			
D6415	6-501-497-01	DIODE	S3L60F	FB6400	1-412-911-11	FERRITE	0μH
D6420	8-719-083-57	DIODE	UDZSNPTE-173.6B	FB6401	1-412-911-11	FERRITE	0μH
D6421	8-719-083-57	DIODE	UDZSNPTE-173.6B	FB6402	1-412-911-11	FERRITE	0μH
D6422	8-719-083-57	DIODE	UDZSNPTE-173.6B	FB6403	1-410-396-41	FERRITE	0.45μH
D6423	8-719-083-57	DIODE	UDZSNPTE-173.6B	FB6404	1-410-396-41	FERRITE	0.45μH
D6500	6-501-817-01	DIODE	MA2J1110GLS0	FB6405	1-410-396-41	FERRITE	0.45μH
D6501	6-501-817-01	DIODE	MA2J1110GLS0	FB6406	1-412-911-11	FERRITE	0μH
D6502	8-719-062-51	DIODE	1PS226-115	FB6407	1-410-396-41	FERRITE	0.45μH
D6503	8-719-062-51	DIODE	1PS226-115	FB6408	1-481-256-11	FERRITE	0μH
D6504	6-501-730-01	DIODE	MAZ8051GMLS0	FB6409	1-481-256-11	FERRITE	0μH
D6505	6-501-730-01	DIODE	MAZ8051GMLS0	FB6600	1-412-911-11	FERRITE	0μH
D6506	8-719-062-51	DIODE	1PS226-115	FB6601	1-410-396-41	FERRITE	0.45μH
D6600	6-501-818-01	DIODE	MA2J1130GLS0	FB6602	1-412-911-11	FERRITE	0μH
D6601	6-501-818-01	DIODE	MA2J1130GLS0	FB6603	1-410-396-41	FERRITE	0.45μH
D6604	6-501-497-01	DIODE	S3L60F	FB6604	1-412-911-11	FERRITE	0μH
D6605	6-501-497-01	DIODE	S3L60F	FB6605	1-410-396-41	FERRITE	0.45μH
D6606	6-501-497-01	DIODE	S3L60F	FB6606	1-412-911-11	FERRITE	0μH
D6607	6-501-497-01	DIODE	S3L60F	FB6607	1-410-396-41	FERRITE	0.45μH
D6608	6-501-818-01	DIODE	MA2J1130GLS0	FB6608	1-481-256-11	FERRITE	0μH
D6609	6-501-818-01	DIODE	MA2J1130GLS0	FB6609	1-481-256-11	FERRITE	0μH
D6612	6-501-497-01	DIODE	S3L60F	IC			
D6613	6-501-497-01	DIODE	S3L60F	IC6702	6-708-762-01	IC	PQ200WNA1ZPH
D6614	6-501-497-01	DIODE	S3L60F	* IC6703	8-759-575-27	IC	BA10339F-E2
D6615	6-501-497-01	DIODE	S3L60F	IC6704	6-709-368-01	IC	MM1431ATT (CN)
D6620	8-719-083-57	DIODE	UDZSNPTE-173.6B	CHIP CONDUCTOR			
D6621	8-719-083-57	DIODE	UDZSNPTE-173.6B	JR6400	1-216-296-11	SHORT CHIP	
D6623	8-719-083-57	DIODE	UDZSNPTE-173.6B	JR6401	1-216-296-11	SHORT CHIP	
D6624	8-719-083-57	DIODE	UDZSNPTE-173.6B	JR6402	1-216-296-11	SHORT CHIP	
D6700	6-501-730-01	DIODE	MAZ8051GMLS0	JR6403	1-216-296-11	SHORT CHIP	
D6701	6-501-730-01	DIODE	MAZ8051GMLS0	JR6404	1-216-296-11	SHORT CHIP	
D6702	6-501-817-01	DIODE	MA2J1110GLS0	JR6700	1-216-296-11	SHORT CHIP	
D6703	6-501-817-01	DIODE	MA2J1110GLS0	JR6701	1-216-296-11	SHORT CHIP	
D6704	8-719-062-51	DIODE	1PS226-115	JR6702	1-216-296-11	SHORT CHIP	
D6705	8-719-062-51	DIODE	1PS226-115	JR6703	1-216-296-11	SHORT CHIP	
D6709	6-501-740-01	DIODE	MAZ8068G0LS0	JR6704	1-216-296-11	SHORT CHIP	
D6710	6-501-740-01	DIODE	MAZ8068G0LS0	JR6705	1-216-296-11	SHORT CHIP	
D6714	6-501-717-01	DIODE	MAZ8039G0LS0	JR6706	1-216-296-11	SHORT CHIP	
D6715	6-501-717-01	DIODE	MAZ8039G0LS0				
D6716	6-501-817-01	DIODE	MA2J1110GLS0				

NOTE: The components identified by shading and \triangle mark are critical for safety. Replace only with part number specified.

NOTE: Les composants identifiés par un trame et une marque \triangle sont critiques pour la sécurité. Ne les remplacer que par une pièce portant le numéro spécifié.

DF4 **DF5**

REF. NO.	PART NO.	DESCRIPTION	VALUES	REF. NO.	PART NO.	DESCRIPTION	VALUES
JR6707	1-216-296-11	SHORT CHIP		R6405	1-216-793-11	METAL CHIP	4.7 5% 1/10W
JR6708	1-216-296-11	SHORT CHIP		R6406	1-216-057-00	RES-CHIP	2.2K 5% 1/10W
JR6709	1-216-296-11	SHORT CHIP		R6407	1-216-833-11	METAL CHIP	10K 5% 1/10W
JR6710	1-216-296-11	SHORT CHIP		R6408	1-216-057-00	RES-CHIP	2.2K 5% 1/10W
JR6711	1-216-296-11	SHORT CHIP		R6409	1-216-057-00	RES-CHIP	2.2K 5% 1/10W
JR6712	1-216-296-11	SHORT CHIP		R6410	1-249-403-11	CARBON	68 5% 1/4W
JR6713	1-216-864-11	SHORT CHIP		R6411	1-249-403-11	CARBON	68 5% 1/4W
JR6714	1-216-296-11	SHORT CHIP		R6412	1-216-793-11	METAL CHIP	4.7 5% 1/10W
JR6715	1-216-296-11	SHORT CHIP		R6413	1-216-793-11	METAL CHIP	4.7 5% 1/10W
JR6716	1-216-296-11	SHORT CHIP		R6414	1-216-833-11	METAL CHIP	10K 5% 1/10W
JR6717	1-216-864-11	SHORT CHIP		R6415	1-216-833-11	METAL CHIP	10K 5% 1/10W
JR6718	1-216-296-11	SHORT CHIP		R6420	1-216-857-11	METAL CHIP	1M 5% 1/10W
JR6719	1-216-296-11	SHORT CHIP		R6421	1-216-857-11	METAL CHIP	1M 5% 1/10W
JR6720	1-216-864-11	SHORT CHIP		R6422	1-216-057-00	RES-CHIP	2.2K 5% 1/10W
JR6721	1-216-864-11	SHORT CHIP		R6423	1-216-057-00	RES-CHIP	2.2K 5% 1/10W
JR6722	1-216-296-11	SHORT CHIP		R6424	1-216-057-00	RES-CHIP	2.2K 5% 1/10W
JR6723	1-216-296-11	SHORT CHIP		R6425	1-216-057-00	RES-CHIP	2.2K 5% 1/10W
JR6724	1-216-296-11	SHORT CHIP		R6500	1-243-831-71	METAL OXIDE	12 5% 1W
COIL				R6501	1-243-831-71	METAL OXIDE	12 5% 1W
\triangle L6400	1-406-976-11	INDUCTOR	68 μ H	R6502	1-243-831-71	METAL OXIDE	12 5% 1W
\triangle L6600	1-406-976-11	INDUCTOR	68 μ H	R6503	1-243-831-71	METAL OXIDE	12 5% 1W
TRANSISTOR				R6504	1-216-793-11	METAL CHIP	4.7 5% 1/10W
Q6402	8-729-804-41	TRANSISTOR	2SB1122-S	R6505	1-216-793-11	METAL CHIP	4.7 5% 1/10W
Q6403	8-729-804-41	TRANSISTOR	2SB1122-S	R6506	1-216-793-11	METAL CHIP	4.7 5% 1/10W
Q6404	8-729-804-41	TRANSISTOR	2SB1122-S	R6507	1-216-793-11	METAL CHIP	4.7 5% 1/10W
Q6405	8-729-804-41	TRANSISTOR	2SB1122-S	R6508	1-216-793-11	METAL CHIP	4.7 5% 1/10W
Q6600	8-729-804-41	TRANSISTOR	2SB1122-S	R6509	1-216-833-11	METAL CHIP	10K 5% 1/10W
Q6601	8-729-804-41	TRANSISTOR	2SB1122-S	R6510	1-216-833-11	METAL CHIP	10K 5% 1/10W
Q6604	8-729-804-41	TRANSISTOR	2SB1122-S	R6511	1-216-833-11	METAL CHIP	10K 5% 1/10W
Q6605	8-729-804-41	TRANSISTOR	2SB1122-S	R6512	1-216-833-11	METAL CHIP	10K 5% 1/10W
Q6704	8-729-028-27	TRANSISTOR	2SK2009(TE85L)	R6514	1-216-864-11	SHORT CHIP	
Q6705	8-729-620-07	TRANSISTOR	2SC3052EF-T1-LEF	R6519	1-216-864-11	SHORT CHIP	
Q6711	8-729-620-07	TRANSISTOR	2SC3052EF-T1-LEF	R6520	1-216-864-11	SHORT CHIP	
Q6712	6-551-696-01	TRANSISTOR	ISA1235AC1TP-1EF	R6521	1-216-864-11	SHORT CHIP	
Q6714	6-551-696-01	TRANSISTOR	ISA1235AC1TP-1EF	R6522	1-216-864-11	SHORT CHIP	
RESISTOR				R6600	1-216-057-00	RES-CHIP	2.2K 5% 1/10W
R6400	1-249-403-11	CARBON	68 5% 1/4W	R6601	1-216-057-00	RES-CHIP	2.2K 5% 1/10W
R6401	1-216-793-11	METAL CHIP	4.7 5% 1/10W	R6602	1-249-403-11	CARBON	68 5% 1/4W
R6402	1-216-057-00	RES-CHIP	2.2K 5% 1/10W	R6603	1-249-403-11	CARBON	68 5% 1/4W
R6403	1-216-833-11	METAL CHIP	10K 5% 1/10W	R6604	1-216-793-11	METAL CHIP	4.7 5% 1/10W
R6404	1-249-403-11	CARBON	68 5% 1/4W	R6605	1-216-793-11	METAL CHIP	4.7 5% 1/10W
R6606	1-216-833-11	METAL CHIP	10K 5% 1/10W	R6607	1-216-833-11	METAL CHIP	10K 5% 1/10W
R6607	1-216-833-11	METAL CHIP	10K 5% 1/10W	R6610	1-216-057-00	RES-CHIP	2.2K 5% 1/10W
R6610	1-216-057-00	RES-CHIP	2.2K 5% 1/10W	R6611	1-216-057-00	RES-CHIP	2.2K 5% 1/10W
R6611	1-216-057-00	RES-CHIP	2.2K 5% 1/10W				

DF4	DF5
-----	-----

REF. NO.	PART NO.	DESCRIPTION	VALUES			REF. NO.	PART NO.	DESCRIPTION	VALUES		
R6612	1-249-403-11	CARBON	68	5%	1/4W	R6737	1-216-821-11	METAL CHIP	1K	5%	1/10W
R6613	1-249-403-11	CARBON	68	5%	1/4W	R6742	1-216-830-11	METAL CHIP	5.6K	5%	1/10W
R6614	1-216-793-11	METAL CHIP	4.7	5%	1/10W	R6750	1-218-895-11	METAL CHIP	100K	0.50%	1/10W
R6615	1-216-793-11	METAL CHIP	4.7	5%	1/10W	R6751	1-218-871-11	METAL CHIP	10K	0.50%	1/10W
R6616	1-216-833-11	METAL CHIP	10K	5%	1/10W	R6752	1-211-983-11	METAL CHIP	39	0.50%	1/10W
R6617	1-216-833-11	METAL CHIP	10K	5%	1/10W	R6754	1-211-987-11	METAL CHIP	56	0.50%	1/10W
R6619	1-216-857-11	METAL CHIP	1M	5%	1/10W	R6756	1-211-987-11	METAL CHIP	56	0.50%	1/10W
R6624	1-216-857-11	METAL CHIP	1M	5%	1/10W	R6757	1-216-833-11	METAL CHIP	10K	5%	1/10W
R6625	1-216-057-00	RES-CHIP	2.2K	5%	1/10W	R6758	1-211-987-11	METAL CHIP	56	0.50%	1/10W
R6626	1-216-057-00	RES-CHIP	2.2K	5%	1/10W	R6760	1-218-847-11	METAL CHIP	1K	0.50%	1/10W
R6627	1-216-057-00	RES-CHIP	2.2K	5%	1/10W	R6761	1-218-853-11	METAL CHIP	1.8K	0.50%	1/10W
R6628	1-216-057-00	RES-CHIP	2.2K	5%	1/10W	R6762	1-211-987-11	METAL CHIP	56	0.50%	1/10W
R6630	1-216-864-11	SHORT CHIP				R6763	1-218-863-11	METAL CHIP	4.7K	0.50%	1/10W
R6632	1-216-864-11	SHORT CHIP				R6764	1-211-987-11	METAL CHIP	56	0.50%	1/10W
R6634	1-216-864-11	SHORT CHIP				R6766	1-216-864-11	SHORT CHIP			
R6636	1-216-864-11	SHORT CHIP				R6769	1-216-864-11	SHORT CHIP			
R6700	1-216-793-11	METAL CHIP	4.7	5%	1/10W	R6770	1-218-863-11	METAL CHIP	4.7K	0.50%	1/10W
R6701	1-216-793-11	METAL CHIP	4.7	5%	1/10W	R6771	1-218-871-11	METAL CHIP	10K	0.50%	1/10W
R6702	1-216-793-11	METAL CHIP	4.7	5%	1/10W	R6772	1-218-871-11	METAL CHIP	10K	0.50%	1/10W
R6703	1-216-793-11	METAL CHIP	4.7	5%	1/10W	R6773	1-216-833-11	METAL CHIP	10K	5%	1/10W
R6704	1-216-793-11	METAL CHIP	4.7	5%	1/10W	R6774	1-216-833-11	METAL CHIP	10K	5%	1/10W
R6705	1-216-833-11	METAL CHIP	10K	5%	1/10W	R6775	1-218-895-11	METAL CHIP	100K	0.50%	1/10W
R6706	1-216-833-11	METAL CHIP	10K	5%	1/10W	R6776	1-218-847-11	METAL CHIP	1K	0.50%	1/10W
R6707	1-216-833-11	METAL CHIP	10K	5%	1/10W	R6777	1-218-895-11	METAL CHIP	100K	0.50%	1/10W
R6708	1-216-833-11	METAL CHIP	10K	5%	1/10W	R6778	1-218-895-11	METAL CHIP	100K	0.50%	1/10W
R6710	1-243-831-71	METAL OXIDE	12	5%	1W	R6779	1-218-871-11	METAL CHIP	10K	0.50%	1/10W
R6711	1-243-831-71	METAL OXIDE	12	5%	1W	R6780	1-216-864-11	SHORT CHIP			
R6712	1-243-831-71	METAL OXIDE	12	5%	1W	R6782	1-216-842-11	METAL CHIP	56K	5%	1/10W
R6713	1-243-831-71	METAL OXIDE	12	5%	1W	R6783	1-216-833-11	METAL CHIP	10K	5%	1/10W
R6714	1-216-821-11	METAL CHIP	1K	5%	1/10W	R6784	1-216-864-11	SHORT CHIP			
R6715	1-216-835-11	METAL CHIP	15K	5%	1/10W	R6786	1-216-829-11	METAL CHIP	4.7K	5%	1/10W
R6716	1-216-833-11	METAL CHIP	10K	5%	1/10W	R6787	1-216-817-11	METAL CHIP	470	5%	1/10W
R6721	1-218-839-11	METAL CHIP	470	0.50%	1/10W	R6788	1-216-864-11	SHORT CHIP			
R6722	1-218-897-11	METAL CHIP	120K	0.50%	1/10W	R6789	1-218-887-11	METAL CHIP	47K	0.50%	1/10W
R6723	1-218-871-11	METAL CHIP	10K	0.50%	1/10W	R6790	1-218-883-11	METAL CHIP	33K	0.50%	1/10W
R6724	1-216-864-11	SHORT CHIP				R6791	1-216-864-11	SHORT CHIP			
R6725	1-218-891-11	METAL CHIP	68K	0.50%	1/10W	R6792	1-216-837-11	METAL CHIP	22K	5%	1/10W
R6727	1-218-887-11	METAL CHIP	47K	0.50%	1/10W	R6793	1-218-871-11	METAL CHIP	10K	0.50%	1/10W
R6729	1-216-829-11	METAL CHIP	4.7K	5%	1/10W	R6794	1-218-871-11	METAL CHIP	10K	0.50%	1/10W
R6730	1-218-863-11	METAL CHIP	4.7K	0.50%	1/10W	R6795	1-216-841-11	METAL CHIP	47K	5%	1/10W
R6731	1-216-837-11	METAL CHIP	22K	5%	1/10W	R6802	1-218-871-11	METAL CHIP	10K	0.50%	1/10W
R6732	1-218-891-11	METAL CHIP	68K	0.50%	1/10W	R6804	1-249-381-11	CARBON	1	5%	1/4W
R6733	1-218-863-11	METAL CHIP	4.7K	0.50%	1/10W	R6805	1-216-793-11	METAL CHIP	4.7	5%	1/10W
R6734	1-216-833-11	METAL CHIP	10K	5%	1/10W	R6808	1-218-446-11	METAL CHIP	1	5%	1/10W
R6736	1-218-885-11	METAL CHIP	39K	0.50%	1/10W	R6809	1-216-825-11	METAL CHIP	2.2K	5%	1/10W

NOTE: The components identified by shading and \triangle mark are critical for safety. Replace only with part number specified.

NOTE: The components identified by a red outline and a \lock mark contain confidential information. Specific instructions must be adhered to whenever these components are repaired and/or replaced.
See Appendix A: Encryption Key Components in the back of this manual.

DF4 **DF5**
FB1

REF. NO.	PART NO.	DESCRIPTION	VALUES		
R6810	1-218-875-11	METAL CHIP	15K	0.50%	1/10W
R6811	1-218-871-11	METAL CHIP	10K	0.50%	1/10W
R6820	1-216-864-11	SHORT CHIP			
R6909	1-216-821-11	METAL CHIP	1K	5%	1/10W
R6911	1-216-845-11	METAL CHIP	100K	5%	1/10W
R6913	1-216-864-11	SHORT CHIP			
R6914	1-218-847-11	METAL CHIP	1K	0.50%	1/10W
R6915	1-216-861-11	METAL CHIP	2.2M	5%	1/10W

TRANSFORMER

\triangle T6400	8-597-059-00	TRANSFORMER, HIGH-VOLTAGE			
\triangle T6401	8-597-059-00	TRANSFORMER, HIGH-VOLTAGE			
\triangle T6600	8-597-059-00	TRANSFORMER, HIGH-VOLTAGE			
\triangle T6601	8-597-059-00	TRANSFORMER, HIGH-VOLTAGE			

GROUND TERMINAL BOARD

TK6500	1-537-770-21	TERMINAL BOARD, GROUND			
TK6501	1-537-770-21	TERMINAL BOARD, GROUND			
TK6700	1-537-770-21	TERMINAL BOARD, GROUND			
TK6701	1-537-770-21	TERMINAL BOARD, GROUND			

FB1

\lock	A-1362-638-A	FB1 BOARD, COMPLETE (KDL-52W3000/52WL130 SN 8,000,001 to 8,099,999 and SN 8,500,001 to 8,599,999 Only)
\lock	A-1419-002-A	FB1 BOARD, COMPLETE (KDL-52WL135 and (KDL-52W3000/52WL130 SN 8,100,001 to 8,499,999 and SN 8,600,001 and Up Only)

A2101	1-694-974-21	CONTACT TERMINAL			
A2102	1-694-974-21	CONTACT TERMINAL			
A2103	1-694-974-21	CONTACT TERMINAL			
A2104	1-694-974-21	CONTACT TERMINAL			
A4700	1-694-974-21	CONTACT TERMINAL			
A4701	1-694-974-21	CONTACT TERMINAL			
A4900	1-694-974-21	CONTACT TERMINAL			
A4901	1-694-974-21	CONTACT TERMINAL			
A4902	1-694-974-21	CONTACT TERMINAL			
A4903	1-694-974-21	CONTACT TERMINAL			
A4905	1-694-974-21	CONTACT TERMINAL			

CAPACITOR

C2100	1-100-905-11	CERAMIC CHIP	0.001 μ F	10%	50V
C2101	1-100-905-11	CERAMIC CHIP	0.001 μ F	10%	50V
C2102	1-100-905-11	CERAMIC CHIP	0.001 μ F	10%	50V

REF. NO.	PART NO.	DESCRIPTION	VALUES		
C2103	1-164-874-11	CERAMIC CHIP	100pF	5%	50V
C2104	1-100-905-11	CERAMIC CHIP	0.001 μ F	10%	50V
C2105	1-100-905-11	CERAMIC CHIP	0.001 μ F	10%	50V
C2106	1-164-874-11	CERAMIC CHIP	100pF	5%	50V
C2107	1-164-874-11	CERAMIC CHIP	100pF	5%	50V
C2108	1-164-874-11	CERAMIC CHIP	100pF	5%	50V
C2109	1-112-777-11	CERAMIC CHIP	0.01 μ F	10%	25V
C2111	1-112-777-11	CERAMIC CHIP	0.01 μ F	10%	25V
C2113	1-112-777-11	CERAMIC CHIP	0.01 μ F	10%	25V
C2114	1-112-777-11	CERAMIC CHIP	0.01 μ F	10%	25V
C2115	1-112-777-11	CERAMIC CHIP	0.01 μ F	10%	25V
C2116	1-164-874-11	CERAMIC CHIP	100pF	5%	50V
C2117	1-164-874-11	CERAMIC CHIP	100pF	5%	50V
C2120	1-164-874-11	CERAMIC CHIP	100pF	5%	50V
C2121	1-112-777-11	CERAMIC CHIP	0.01 μ F	10%	25V
C2122	1-164-849-11	CERAMIC CHIP	9pF	0.50pF	50V
C2123	1-164-850-11	CERAMIC CHIP	10pF	0.50pF	50V
C2124	1-112-777-11	CERAMIC CHIP	0.01 μ F	10%	25V
C2125	1-164-874-11	CERAMIC CHIP	100pF	5%	50V
C2126	1-164-874-11	CERAMIC CHIP	100pF	5%	50V
C2127	1-112-777-11	CERAMIC CHIP	0.01 μ F	10%	25V
C2128	1-164-874-11	CERAMIC CHIP	100pF	5%	50V
C2129	1-164-874-11	CERAMIC CHIP	100pF	5%	50V
C2130	1-164-874-11	CERAMIC CHIP	100pF	5%	50V
C2131	1-100-916-11	CERAMIC CHIP	0.1 μ F	10%	16V
C2132	1-100-916-11	CERAMIC CHIP	0.1 μ F	10%	16V
C2133	1-100-916-11	CERAMIC CHIP	0.1 μ F	10%	16V
C2300	1-112-777-11	CERAMIC CHIP	0.01 μ F	10%	25V
C2301	1-112-777-11	CERAMIC CHIP	0.01 μ F	10%	25V
C2305	1-100-916-11	CERAMIC CHIP	0.1 μ F	10%	16V
C2306	1-112-777-11	CERAMIC CHIP	0.01 μ F	10%	25V
C2309	1-112-777-11	CERAMIC CHIP	0.01 μ F	10%	25V
C2310	1-112-777-11	CERAMIC CHIP	0.01 μ F	10%	25V
C2313	1-112-777-11	CERAMIC CHIP	0.01 μ F	10%	25V
C2315	1-112-777-11	CERAMIC CHIP	0.01 μ F	10%	25V
C2316	1-112-777-11	CERAMIC CHIP	0.01 μ F	10%	25V
C2317	1-112-777-11	CERAMIC CHIP	0.01 μ F	10%	25V
C2318	1-112-777-11	CERAMIC CHIP	0.01 μ F	10%	25V
C2319	1-112-777-11	CERAMIC CHIP	0.01 μ F	10%	25V
C2320	1-112-777-11	CERAMIC CHIP	0.01 μ F	10%	25V
C2321	1-112-777-11	CERAMIC CHIP	0.01 μ F	10%	25V
C2322	1-100-916-11	CERAMIC CHIP	0.1 μ F	10%	16V

FB1

REF. NO.	PART NO.	DESCRIPTION	VALUES			REF. NO.	PART NO.	DESCRIPTION	VALUES		
C2323	1-112-777-11	CERAMIC CHIP	0.01μF	10%	25V	C2503	1-114-130-11	CERAMIC CHIP	1μF		6.3V
C2324	1-100-916-11	CERAMIC CHIP	0.1μF	10%	16V	C2504	1-100-905-11	CERAMIC CHIP	0.001μF	10%	50V
C2325	1-112-777-11	CERAMIC CHIP	0.01μF	10%	25V	C2505	1-100-905-11	CERAMIC CHIP	0.001μF	10%	50V
C2326	1-100-916-11	CERAMIC CHIP	0.1μF	10%	16V	C2506	1-100-905-11	CERAMIC CHIP	0.001μF	10%	50V
C2327	1-112-777-11	CERAMIC CHIP	0.01μF	10%	25V	C2507	1-100-905-11	CERAMIC CHIP	0.001μF	10%	50V
C2328	1-100-916-11	CERAMIC CHIP	0.1μF	10%	16V	C2508	1-100-905-11	CERAMIC CHIP	0.001μF	10%	50V
C2329	1-112-777-11	CERAMIC CHIP	0.01μF	10%	25V	C2509	1-100-905-11	CERAMIC CHIP	0.001μF	10%	50V
C2330	1-100-916-11	CERAMIC CHIP	0.1μF	10%	16V	C2510	1-100-905-11	CERAMIC CHIP	0.001μF	10%	50V
C2331	1-112-777-11	CERAMIC CHIP	0.01μF	10%	25V	C2511	1-100-905-11	CERAMIC CHIP	0.001μF	10%	50V
C2332	1-100-916-11	CERAMIC CHIP	0.1μF	10%	16V	C2512	1-100-905-11	CERAMIC CHIP	0.001μF	10%	50V
C2333	1-112-777-11	CERAMIC CHIP	0.01μF	10%	25V	C2513	1-100-905-11	CERAMIC CHIP	0.001μF	10%	50V
C2334	1-100-916-11	CERAMIC CHIP	0.1μF	10%	16V	C2514	1-100-905-11	CERAMIC CHIP	0.001μF	10%	50V
C2335	1-112-777-11	CERAMIC CHIP	0.01μF	10%	25V	C2515	1-100-905-11	CERAMIC CHIP	0.001μF	10%	50V
C2336	1-100-916-11	CERAMIC CHIP	0.1μF	10%	16V	C2516	1-100-905-11	CERAMIC CHIP	0.001μF	10%	50V
C2337	1-112-777-11	CERAMIC CHIP	0.01μF	10%	25V	C2518	1-100-905-11	CERAMIC CHIP	0.001μF	10%	50V
C2338	1-100-916-11	CERAMIC CHIP	0.1μF	10%	16V	C2519	1-100-905-11	CERAMIC CHIP	0.001μF	10%	50V
C2339	1-112-777-11	CERAMIC CHIP	0.01μF	10%	25V	C2521	1-114-130-11	CERAMIC CHIP	1μF		6.3V
C2340	1-100-916-11	CERAMIC CHIP	0.1μF	10%	16V	C2523	1-100-905-11	CERAMIC CHIP	0.001μF	10%	50V
C2341	1-112-777-11	CERAMIC CHIP	0.01μF	10%	25V	C2524	1-100-905-11	CERAMIC CHIP	0.001μF	10%	50V
C2342	1-100-916-11	CERAMIC CHIP	0.1μF	10%	16V	C2525	1-100-905-11	CERAMIC CHIP	0.001μF	10%	50V
C2343	1-112-777-11	CERAMIC CHIP	0.01μF	10%	25V	C2526	1-100-905-11	CERAMIC CHIP	0.001μF	10%	50V
C2344	1-100-916-11	CERAMIC CHIP	0.1μF	10%	16V	C2527	1-114-130-11	CERAMIC CHIP	1μF		6.3V
C2345	1-112-777-11	CERAMIC CHIP	0.01μF	10%	25V	C2528	1-114-130-11	CERAMIC CHIP	1μF		6.3V
C2346	1-100-916-11	CERAMIC CHIP	0.1μF	10%	16V	C2529	1-100-909-11	CERAMIC CHIP	10μF	10%	6.3V
C2347	1-112-777-11	CERAMIC CHIP	0.01μF	10%	25V	C2530	1-100-909-11	CERAMIC CHIP	10μF	10%	6.3V
C2348	1-100-916-11	CERAMIC CHIP	0.1μF	10%	16V	C2531	1-100-909-11	CERAMIC CHIP	10μF	10%	6.3V
C2349	1-112-777-11	CERAMIC CHIP	0.01μF	10%	25V	C2532	1-100-909-11	CERAMIC CHIP	10μF	10%	6.3V
C2350	1-100-916-11	CERAMIC CHIP	0.1μF	10%	16V	C2533	1-114-130-11	CERAMIC CHIP	1μF		6.3V
C2351	1-112-777-11	CERAMIC CHIP	0.01μF	10%	25V	C2536	1-114-130-11	CERAMIC CHIP	1μF		6.3V
C2352	1-100-916-11	CERAMIC CHIP	0.1μF	10%	16V	C2537	1-114-130-11	CERAMIC CHIP	1μF		6.3V
C2353	1-112-777-11	CERAMIC CHIP	0.01μF	10%	25V	C2538	1-114-367-11	CERAMIC CHIP	0.1μF	20%	6.3V
C2354	1-100-916-11	CERAMIC CHIP	0.1μF	10%	16V	C2539	1-114-367-11	CERAMIC CHIP	0.1μF	20%	6.3V
C2355	1-112-777-11	CERAMIC CHIP	0.01μF	10%	25V	C2540	1-114-367-11	CERAMIC CHIP	0.1μF	20%	6.3V
C2356	1-100-916-11	CERAMIC CHIP	0.1μF	10%	16V	C2541	1-114-367-11	CERAMIC CHIP	0.1μF	20%	6.3V
C2357	1-112-777-11	CERAMIC CHIP	0.01μF	10%	25V	C2542	1-114-367-11	CERAMIC CHIP	0.1μF	20%	6.3V
C2358	1-100-916-11	CERAMIC CHIP	0.1μF	10%	16V	C2543	1-114-367-11	CERAMIC CHIP	0.1μF	20%	6.3V
C2359	1-112-777-11	CERAMIC CHIP	0.01μF	10%	25V	C2544	1-114-367-11	CERAMIC CHIP	0.1μF	20%	6.3V
C2360	1-100-916-11	CERAMIC CHIP	0.1μF	10%	16V	C2545	1-114-367-11	CERAMIC CHIP	0.1μF	20%	6.3V
C2361	1-112-777-11	CERAMIC CHIP	0.01μF	10%	25V	C2546	1-114-367-11	CERAMIC CHIP	0.1μF	20%	6.3V
C2362	1-100-916-11	CERAMIC CHIP	0.1μF	10%	16V	C2547	1-114-367-11	CERAMIC CHIP	0.1μF	20%	6.3V
C2364	1-112-046-11	CERAMIC CHIP	4.7μF	10%	6.3V	C2548	1-114-367-11	CERAMIC CHIP	0.1μF	20%	6.3V
C2365	1-112-046-11	CERAMIC CHIP	4.7μF	10%	6.3V	C2549	1-114-367-11	CERAMIC CHIP	0.1μF	20%	6.3V
C2500	1-100-905-11	CERAMIC CHIP	0.001μF	10%	50V	C2550	1-114-367-11	CERAMIC CHIP	0.1μF	20%	6.3V
C2501	1-100-905-11	CERAMIC CHIP	0.001μF	10%	50V	C2551	1-114-367-11	CERAMIC CHIP	0.1μF	20%	6.3V
C2502	1-114-130-11	CERAMIC CHIP	1μF		6.3V	C2552	1-114-367-11	CERAMIC CHIP	0.1μF	20%	6.3V

FB1

REF. NO.	PART NO.	DESCRIPTION	VALUES			REF. NO.	PART NO.	DESCRIPTION	VALUES		
C2553	1-114-367-11	CERAMIC CHIP	0.1μF	20%	6.3V	C2737	1-100-916-11	CERAMIC CHIP	0.1μF	10%	16V
C2554	1-114-367-11	CERAMIC CHIP	0.1μF	20%	6.3V	C2738	1-114-343-11	ELECT CHIP	100μF	20%	6.3V
C2555	1-114-367-11	CERAMIC CHIP	0.1μF	20%	6.3V	C2739	1-114-130-11	CERAMIC CHIP	1μF		6.3V
C2556	1-114-367-11	CERAMIC CHIP	0.1μF	20%	6.3V	C2740	1-112-064-11	CERAMIC CHIP	2.2μF	10%	10V
C2557	1-114-367-11	CERAMIC CHIP	0.1μF	20%	6.3V	C2900	1-112-777-11	CERAMIC CHIP	0.01μF	10%	25V
C2558	1-114-367-11	CERAMIC CHIP	0.1μF	20%	6.3V	C2902	1-112-777-11	CERAMIC CHIP	0.01μF	10%	25V
C2559	1-114-367-11	CERAMIC CHIP	0.1μF	20%	6.3V	C2904	1-100-916-11	CERAMIC CHIP	0.1μF	10%	16V
C2560	1-114-367-11	CERAMIC CHIP	0.1μF	20%	6.3V	C2907	1-112-777-11	CERAMIC CHIP	0.01μF	10%	25V
C2561	1-114-367-11	CERAMIC CHIP	0.1μF	20%	6.3V	C2908	1-112-777-11	CERAMIC CHIP	0.01μF	10%	25V
C2562	1-114-130-11	CERAMIC CHIP	1μF		6.3V	C2909	1-100-916-11	CERAMIC CHIP	0.1μF	10%	16V
C2563	1-114-130-11	CERAMIC CHIP	1μF		6.3V	C2910	1-164-852-11	CERAMIC CHIP	12pF	5%	50V
C2564	1-114-130-11	CERAMIC CHIP	1μF		6.3V	C2912	1-112-777-11	CERAMIC CHIP	0.01μF	10%	25V
C2565	1-114-130-11	CERAMIC CHIP	1μF		6.3V	C2913	1-100-916-11	CERAMIC CHIP	0.1μF	10%	16V
C2566	1-114-130-11	CERAMIC CHIP	1μF		6.3V	C2915	1-112-777-11	CERAMIC CHIP	0.01μF	10%	25V
C2567	1-114-130-11	CERAMIC CHIP	1μF		6.3V	C2916	1-164-852-11	CERAMIC CHIP	12pF	5%	50V
C2570	1-114-367-11	CERAMIC CHIP	0.1μF	20%	6.3V	C2918	1-100-909-11	CERAMIC CHIP	10μF	10%	6.3V
C2571	1-114-367-11	CERAMIC CHIP	0.1μF	20%	6.3V	C2919	1-100-916-11	CERAMIC CHIP	0.1μF	10%	16V
C2574	1-112-777-11	CERAMIC CHIP	0.01μF	10%	25V	C2922	1-112-777-11	CERAMIC CHIP	0.01μF	10%	25V
C2575	1-112-777-11	CERAMIC CHIP	0.01μF	10%	25V	C2923	1-112-777-11	CERAMIC CHIP	0.01μF	10%	25V
C2576	1-112-777-11	CERAMIC CHIP	0.01μF	10%	25V	C2924	1-112-777-11	CERAMIC CHIP	0.01μF	10%	25V
C2577	1-112-777-11	CERAMIC CHIP	0.01μF	10%	25V	C2925	1-112-777-11	CERAMIC CHIP	0.01μF	10%	25V
C2700	1-100-916-11	CERAMIC CHIP	0.1μF	10%	16V	C2927	1-112-777-11	CERAMIC CHIP	0.01μF	10%	25V
C2701	1-100-916-11	CERAMIC CHIP	0.1μF	10%	16V	C2929	1-112-777-11	CERAMIC CHIP	0.01μF	10%	25V
C2702	1-100-916-11	CERAMIC CHIP	0.1μF	10%	16V	C2931	1-112-777-11	CERAMIC CHIP	0.01μF	10%	25V
C2703	1-100-916-11	CERAMIC CHIP	0.1μF	10%	16V	C2933	1-112-777-11	CERAMIC CHIP	0.01μF	10%	25V
C2704	1-100-916-11	CERAMIC CHIP	0.1μF	10%	16V	C2935	1-112-777-11	CERAMIC CHIP	0.01μF	10%	25V
C2705	1-100-916-11	CERAMIC CHIP	0.1μF	10%	16V	C2938	1-112-777-11	CERAMIC CHIP	0.01μF	10%	25V
C2706	1-100-916-11	CERAMIC CHIP	0.1μF	10%	16V	C2939	1-112-777-11	CERAMIC CHIP	0.01μF	10%	25V
C2707	1-100-916-11	CERAMIC CHIP	0.1μF	10%	16V	C2940	1-112-777-11	CERAMIC CHIP	0.01μF	10%	25V
C2710	1-100-916-11	CERAMIC CHIP	0.1μF	10%	16V	C2941	1-112-777-11	CERAMIC CHIP	0.01μF	10%	25V
C2711	1-100-916-11	CERAMIC CHIP	0.1μF	10%	16V	C3300	1-100-916-11	CERAMIC CHIP	0.1μF	10%	16V
C2712	1-100-916-11	CERAMIC CHIP	0.1μF	10%	16V	C3301	1-162-963-11	CERAMIC CHIP	680pF	10%	50V
C2713	1-100-916-11	CERAMIC CHIP	0.1μF	10%	16V	C3302	1-100-905-11	CERAMIC CHIP	0.001μF	10%	50V
C2714	1-100-916-11	CERAMIC CHIP	0.1μF	10%	16V	C3303	1-100-911-11	CERAMIC CHIP	4.7μF	10%	25V
C2715	1-100-916-11	CERAMIC CHIP	0.1μF	10%	16V	C3306	1-100-916-11	CERAMIC CHIP	0.1μF	10%	16V
C2716	1-112-046-11	CERAMIC CHIP	4.7μF	10%	6.3V	C3307	1-112-786-11	ELECT CHIP	330μF	20%	4V
C2719	1-100-916-11	CERAMIC CHIP	0.1μF	10%	16V	C3310	1-100-909-11	CERAMIC CHIP	10μF	10%	6.3V
C2720	1-164-874-11	CERAMIC CHIP	100pF	5%	50V	C3311	1-100-769-21	ELECT CHIP	470μF	20%	16V
C2721	1-114-130-11	CERAMIC CHIP	1μF		6.3V	C3312	1-114-343-11	ELECT CHIP	100μF	20%	6.3V
C2724	1-112-046-11	CERAMIC CHIP	4.7μF	10%	6.3V	C3317	1-100-909-11	CERAMIC CHIP	10μF	10%	6.3V
C2731	1-112-777-11	CERAMIC CHIP	0.01μF	10%	25V	C3319	1-100-911-11	CERAMIC CHIP	4.7μF	10%	25V
C2732	1-112-781-11	CERAMIC CHIP	1μF	10%	10V	C3321	1-114-331-11	CERAMIC CHIP	4.7μF	10%	10V
C2733	1-112-781-11	CERAMIC CHIP	1μF	10%	10V	C3323	1-100-916-11	CERAMIC CHIP	0.1μF	10%	16V
C2734	1-100-916-11	CERAMIC CHIP	0.1μF	10%	16V	C3327	1-112-064-11	CERAMIC CHIP	2.2μF	10%	10V
C2736	1-100-916-11	CERAMIC CHIP	0.1μF	10%	16V	C3330	1-114-130-11	CERAMIC CHIP	1μF		6.3V

FB1

REF. NO.	PART NO.	DESCRIPTION	VALUES			REF. NO.	PART NO.	DESCRIPTION	VALUES		
C3332	1-100-916-11	CERAMIC CHIP	0.1μF	10%	16V	C4150	1-100-916-11	CERAMIC CHIP	0.1μF	10%	16V
C3334	1-100-911-11	CERAMIC CHIP	4.7μF	10%	25V	C4151	1-100-916-11	CERAMIC CHIP	0.1μF	10%	16V
C3337	1-112-786-11	ELECT CHIP	330μF	20%	4V	C4153	1-164-868-11	CERAMIC CHIP	56pF	5%	50V
C3338	1-112-781-11	CERAMIC CHIP	1μF	10%	10V	C4154	1-100-911-11	CERAMIC CHIP	4.7μF	10%	25V
C3339	1-100-916-11	CERAMIC CHIP	0.1μF	10%	16V	C4155	1-100-909-11	CERAMIC CHIP	10μF	10%	6.3V
C3343	1-100-912-11	CERAMIC CHIP	1μF	10%	25V	C4157	1-100-909-11	CERAMIC CHIP	10μF	10%	6.3V
C3345	1-100-909-11	CERAMIC CHIP	10μF	10%	6.3V	C4158	1-112-775-11	CERAMIC CHIP	0.0022μF	10%	50V
C3347	1-100-912-11	CERAMIC CHIP	1μF	10%	25V	C4159	1-164-245-11	CERAMIC CHIP	0.015μF	10%	25V
C3348	1-114-331-11	CERAMIC CHIP	4.7μF	10%	10V	C4160	1-100-912-11	CERAMIC CHIP	1μF	10%	25V
C3349	1-114-331-11	CERAMIC CHIP	4.7μF	10%	10V	C4161	1-114-130-11	CERAMIC CHIP	1μF		6.3V
C3350	1-112-064-11	CERAMIC CHIP	2.2μF	10%	10V	C4162	1-100-912-11	CERAMIC CHIP	1μF	10%	25V
C4000	1-112-777-11	CERAMIC CHIP	0.01μF	10%	25V	C4163	1-100-916-11	CERAMIC CHIP	0.1μF	10%	16V
C4001	1-112-777-11	CERAMIC CHIP	0.01μF	10%	25V	C4164	1-100-909-11	CERAMIC CHIP	10μF	10%	6.3V
C4002	1-100-909-11	CERAMIC CHIP	10μF	10%	6.3V	C4165	1-100-912-11	CERAMIC CHIP	1μF	10%	25V
C4003	1-112-066-11	CERAMIC CHIP	10μF	10%	10V	C4166	1-100-905-11	CERAMIC CHIP	0.001μF	10%	50V
C4005	1-100-916-11	CERAMIC CHIP	0.1μF	10%	16V	C4167	1-100-905-11	CERAMIC CHIP	0.001μF	10%	50V
C4006	1-100-916-11	CERAMIC CHIP	0.1μF	10%	16V	C4171	1-112-066-11	CERAMIC CHIP	10μF	10%	10V
C4011	1-112-777-11	CERAMIC CHIP	0.01μF	10%	25V	C4175	1-112-774-11	CERAMIC CHIP	470pF	10%	50V
C4013	1-112-066-11	CERAMIC CHIP	10μF	10%	10V	C4177	1-112-774-11	CERAMIC CHIP	470pF	10%	50V
C4100	1-100-911-11	CERAMIC CHIP	4.7μF	10%	25V	C4195	1-112-777-11	CERAMIC CHIP	0.01μF	10%	25V
C4101	1-100-911-11	CERAMIC CHIP	4.7μF	10%	25V	C4196	1-112-066-11	CERAMIC CHIP	10μF	10%	10V
C4103	1-164-868-11	CERAMIC CHIP	56pF	5%	50V	C4197	1-112-066-11	CERAMIC CHIP	10μF	10%	10V
C4105	1-100-911-11	CERAMIC CHIP	4.7μF	10%	25V	C4302	1-112-777-11	CERAMIC CHIP	0.01μF	10%	25V
C4108	1-100-911-11	CERAMIC CHIP	4.7μF	10%	25V	C4303	1-100-916-11	CERAMIC CHIP	0.1μF	10%	16V
C4110	1-112-775-11	CERAMIC CHIP	0.0022μF	10%	50V	C4304	1-100-916-11	CERAMIC CHIP	0.1μF	10%	16V
C4112	1-164-245-11	CERAMIC CHIP	0.015μF	10%	25V	C4306	1-112-777-11	CERAMIC CHIP	0.01μF	10%	25V
C4114	1-100-912-11	CERAMIC CHIP	1μF	10%	25V	C4309	1-100-909-11	CERAMIC CHIP	10μF	10%	6.3V
C4116	1-100-912-11	CERAMIC CHIP	1μF	10%	25V	C4310	1-112-777-11	CERAMIC CHIP	0.01μF	10%	25V
C4118	1-100-912-11	CERAMIC CHIP	1μF	10%	25V	C4311	1-112-777-11	CERAMIC CHIP	0.01μF	10%	25V
C4120	1-100-905-11	CERAMIC CHIP	0.001μF	10%	50V	C4313	1-112-777-11	CERAMIC CHIP	0.01μF	10%	25V
C4121	1-100-905-11	CERAMIC CHIP	0.001μF	10%	50V	C4314	1-112-777-11	CERAMIC CHIP	0.01μF	10%	25V
C4122	1-100-905-11	CERAMIC CHIP	0.001μF	10%	50V	C4315	1-112-777-11	CERAMIC CHIP	0.01μF	10%	25V
C4123	1-100-905-11	CERAMIC CHIP	0.001μF	10%	50V	C4316	1-112-777-11	CERAMIC CHIP	0.01μF	10%	25V
C4128	1-164-245-11	CERAMIC CHIP	0.015μF	10%	25V	C4317	1-114-130-11	CERAMIC CHIP	1μF		6.3V
C4129	1-112-066-11	CERAMIC CHIP	10μF	10%	10V	C4341	1-100-909-11	CERAMIC CHIP	10μF	10%	6.3V
C4130	1-112-775-11	CERAMIC CHIP	0.0022μF	10%	50V	C4342	1-100-916-11	CERAMIC CHIP	0.1μF	10%	16V
C4131	1-112-066-11	CERAMIC CHIP	10μF	10%	10V	C4343	1-100-916-11	CERAMIC CHIP	0.1μF	10%	16V
C4136	1-164-868-11	CERAMIC CHIP	56pF	5%	50V	C4344	1-112-066-11	CERAMIC CHIP	10μF	10%	10V
C4138	1-112-774-11	CERAMIC CHIP	470pF	10%	50V	C4353	1-112-777-11	CERAMIC CHIP	0.01μF	10%	25V
C4139	1-112-774-11	CERAMIC CHIP	470pF	10%	50V	C4354	1-112-777-11	CERAMIC CHIP	0.01μF	10%	25V
C4142	1-112-774-11	CERAMIC CHIP	470pF	10%	50V	C4355	1-112-777-11	CERAMIC CHIP	0.01μF	10%	25V
C4143	1-112-774-11	CERAMIC CHIP	470pF	10%	50V	C4356	1-112-777-11	CERAMIC CHIP	0.01μF	10%	25V
C4146	1-100-909-11	CERAMIC CHIP	10μF	10%	6.3V	C4357	1-112-777-11	CERAMIC CHIP	0.01μF	10%	25V
C4147	1-100-909-11	CERAMIC CHIP	10μF	10%	6.3V	C4358	1-112-777-11	CERAMIC CHIP	0.01μF	10%	25V
C4149	1-100-911-11	CERAMIC CHIP	4.7μF	10%	25V	C4359	1-112-777-11	CERAMIC CHIP	0.01μF	10%	25V

FB1

REF. NO.	PART NO.	DESCRIPTION	VALUES			REF. NO.	PART NO.	DESCRIPTION	VALUES		
C4628	1-100-916-11	CERAMIC CHIP	0.1μF	10%	16V	C4729	1-100-909-11	CERAMIC CHIP	10μF	10%	6.3V
C4629	1-162-970-11	CERAMIC CHIP	0.01μF	10%	25V	C4730	1-112-777-11	CERAMIC CHIP	0.01μF	10%	25V
C4631	1-100-916-11	CERAMIC CHIP	0.1μF	10%	16V	C4731	1-100-916-11	CERAMIC CHIP	0.1μF	10%	16V
C4632	1-100-909-11	CERAMIC CHIP	10μF	10%	6.3V	C4732	1-112-777-11	CERAMIC CHIP	0.01μF	10%	25V
C4633	1-164-172-11	CERAMIC CHIP	0.0056μF	10%	25V	C4733	1-100-909-11	CERAMIC CHIP	10μF	10%	6.3V
C4634	1-100-916-11	CERAMIC CHIP	0.1μF	10%	16V	C4734	1-100-916-11	CERAMIC CHIP	0.1μF	10%	16V
C4636	1-100-916-11	CERAMIC CHIP	0.1μF	10%	16V	C4735	1-100-909-11	CERAMIC CHIP	10μF	10%	6.3V
C4639	1-100-916-11	CERAMIC CHIP	0.1μF	10%	16V	C4736	1-100-909-11	CERAMIC CHIP	10μF	10%	6.3V
C4640	1-100-916-11	CERAMIC CHIP	0.1μF	10%	16V	C4737	1-112-777-11	CERAMIC CHIP	0.01μF	10%	25V
C4641	1-100-909-11	CERAMIC CHIP	10μF	10%	6.3V	C4738	1-112-777-11	CERAMIC CHIP	0.01μF	10%	25V
C4642	1-112-777-11	CERAMIC CHIP	0.01μF	10%	25V	C4739	1-100-916-11	CERAMIC CHIP	0.1μF	10%	16V
C4643	1-100-916-11	CERAMIC CHIP	0.1μF	10%	16V	C4740	1-100-916-11	CERAMIC CHIP	0.1μF	10%	16V
C4644	1-100-916-11	CERAMIC CHIP	0.1μF	10%	16V	C4741	1-100-909-11	CERAMIC CHIP	10μF	10%	6.3V
C4645	1-100-909-11	CERAMIC CHIP	10μF	10%	6.3V	C4742	1-100-916-11	CERAMIC CHIP	0.1μF	10%	16V
C4646	1-100-756-91	CERAMIC CHIP	0.047μF		50V	C4743	1-112-777-11	CERAMIC CHIP	0.01μF	10%	25V
C4647	1-100-916-11	CERAMIC CHIP	0.1μF	10%	16V	C4744	1-112-781-11	CERAMIC CHIP	1μF	10%	10V
C4649	1-100-909-11	CERAMIC CHIP	10μF	10%	6.3V	C4745	1-112-066-11	CERAMIC CHIP	10μF	10%	10V
C4650	1-100-909-11	CERAMIC CHIP	10μF	10%	6.3V	C4746	1-112-777-11	CERAMIC CHIP	0.01μF	10%	25V
C4702	1-135-366-11	ELECT CHIP	100μF	20%	16V	C4747	1-100-916-11	CERAMIC CHIP	0.1μF	10%	16V
C4703	1-164-874-11	CERAMIC CHIP	100pF	5%	50V	C4748	1-112-777-11	CERAMIC CHIP	0.01μF	10%	25V
C4704	1-164-874-11	CERAMIC CHIP	100pF	5%	50V	C4750	1-112-777-11	CERAMIC CHIP	0.01μF	10%	25V
C4705	1-164-874-11	CERAMIC CHIP	100pF	5%	50V	C4751	1-112-777-11	CERAMIC CHIP	0.01μF	10%	25V
C4706	1-112-777-11	CERAMIC CHIP	0.01μF	10%	25V	C4752	1-112-777-11	CERAMIC CHIP	0.01μF	10%	25V
C4707	1-112-777-11	CERAMIC CHIP	0.01μF	10%	25V	C4753	1-112-777-11	CERAMIC CHIP	0.01μF	10%	25V
C4708	1-112-777-11	CERAMIC CHIP	0.01μF	10%	25V	C4759	1-100-916-11	CERAMIC CHIP	0.1μF	10%	16V
C4709	1-112-777-11	CERAMIC CHIP	0.01μF	10%	25V	C4760	1-135-366-11	ELECT CHIP	100μF	20%	16V
C4710	1-112-777-11	CERAMIC CHIP	0.01μF	10%	25V	C4763	1-135-366-11	ELECT CHIP	100μF	20%	16V
C4711	1-135-366-11	ELECT CHIP	100μF	20%	16V	C4764	1-135-366-11	ELECT CHIP	100μF	20%	16V
C4712	1-112-777-11	CERAMIC CHIP	0.01μF	10%	25V	C4765	1-135-366-11	ELECT CHIP	100μF	20%	16V
C4713	1-112-777-11	CERAMIC CHIP	0.01μF	10%	25V	C4770	1-100-916-11	CERAMIC CHIP	0.1μF	10%	16V
C4714	1-112-777-11	CERAMIC CHIP	0.01μF	10%	25V	C4771	1-100-909-11	CERAMIC CHIP	10μF	10%	6.3V
C4715	1-100-916-11	CERAMIC CHIP	0.1μF	10%	16V	C4772	1-100-916-11	CERAMIC CHIP	0.1μF	10%	16V
C4716	1-135-366-11	ELECT CHIP	100μF	20%	16V	C4900	1-100-916-11	CERAMIC CHIP	0.1μF	10%	16V
C4717	1-112-777-11	CERAMIC CHIP	0.01μF	10%	25V	C4901	1-100-916-11	CERAMIC CHIP	0.1μF	10%	16V
C4718	1-135-366-11	ELECT CHIP	100μF	20%	16V	C4902	1-100-916-11	CERAMIC CHIP	0.1μF	10%	16V
C4719	1-135-366-11	ELECT CHIP	100μF	20%	16V	C4903	1-112-777-11	CERAMIC CHIP	0.01μF	10%	25V
C4720	1-112-777-11	CERAMIC CHIP	0.01μF	10%	25V	C4904	1-135-366-11	ELECT CHIP	100μF	20%	16V
C4721	1-112-777-11	CERAMIC CHIP	0.01μF	10%	25V	C4905	1-112-777-11	CERAMIC CHIP	0.01μF	10%	25V
C4722	1-112-777-11	CERAMIC CHIP	0.01μF	10%	25V	C4906	1-135-366-11	ELECT CHIP	100μF	20%	16V
C4723	1-112-777-11	CERAMIC CHIP	0.01μF	10%	25V	C4907	1-112-777-11	CERAMIC CHIP	0.01μF	10%	25V
C4724	1-112-777-11	CERAMIC CHIP	0.01μF	10%	25V	C4908	1-135-366-11	ELECT CHIP	100μF	20%	16V
C4725	1-112-777-11	CERAMIC CHIP	0.01μF	10%	25V	C4909	1-100-916-11	CERAMIC CHIP	0.1μF	10%	16V
C4726	1-100-916-11	CERAMIC CHIP	0.1μF	10%	16V	C4910	1-100-916-11	CERAMIC CHIP	0.1μF	10%	16V
C4727	1-100-909-11	CERAMIC CHIP	10μF	10%	6.3V	C4911	1-100-909-11	CERAMIC CHIP	10μF	10%	6.3V
C4728	1-100-909-11	CERAMIC CHIP	10μF	10%	6.3V	C4912	1-114-367-11	CERAMIC CHIP	0.1μF	20%	6.3V

FB1

REF. NO.	PART NO.	DESCRIPTION	VALUES			REF. NO.	PART NO.	DESCRIPTION	VALUES		
C4913	1-112-777-11	CERAMIC CHIP	0.01μF	10%	25V	C4959	1-100-916-11	CERAMIC CHIP	0.1μF	10%	16V
C4914	1-100-909-11	CERAMIC CHIP	10μF	10%	6.3V	C4960	1-100-916-11	CERAMIC CHIP	0.1μF	10%	16V
C4915	1-114-367-11	CERAMIC CHIP	0.1μF	20%	6.3V	C4961	1-100-916-11	CERAMIC CHIP	0.1μF	10%	16V
C4916	1-112-777-11	CERAMIC CHIP	0.01μF	10%	25V	C4962	1-100-916-11	CERAMIC CHIP	0.1μF	10%	16V
C4917	1-100-916-11	CERAMIC CHIP	0.1μF	10%	16V	C4963	1-100-916-11	CERAMIC CHIP	0.1μF	10%	16V
C4918	1-135-366-11	ELECT CHIP	100μF	20%	16V	C4964	1-100-916-11	CERAMIC CHIP	0.1μF	10%	16V
C4919	1-112-777-11	CERAMIC CHIP	0.01μF	10%	25V	C4966	1-100-916-11	CERAMIC CHIP	0.1μF	10%	16V
C4920	1-100-909-11	CERAMIC CHIP	10μF	10%	6.3V	C4967	1-100-916-11	CERAMIC CHIP	0.1μF	10%	16V
C4921	1-112-777-11	CERAMIC CHIP	0.01μF	10%	25V	C4969	1-100-916-11	CERAMIC CHIP	0.1μF	10%	16V
C4922	1-100-909-11	CERAMIC CHIP	10μF	10%	6.3V	C4970	1-100-916-11	CERAMIC CHIP	0.1μF	10%	16V
C4923	1-112-777-11	CERAMIC CHIP	0.01μF	10%	25V	C4971	1-100-916-11	CERAMIC CHIP	0.1μF	10%	16V
C4924	1-100-909-11	CERAMIC CHIP	10μF	10%	6.3V	C4972	1-100-916-11	CERAMIC CHIP	0.1μF	10%	16V
C4925	1-112-777-11	CERAMIC CHIP	0.01μF	10%	25V	C4973	1-100-916-11	CERAMIC CHIP	0.1μF	10%	16V
C4926	1-100-916-11	CERAMIC CHIP	0.1μF	10%	16V	C4974	1-112-777-11	CERAMIC CHIP	0.01μF	10%	25V
C4927	1-135-366-11	ELECT CHIP	100μF	20%	16V	C4976	1-100-916-11	CERAMIC CHIP	0.1μF	10%	16V
C4928	1-100-916-11	CERAMIC CHIP	0.1μF	10%	16V	C4977	1-100-916-11	CERAMIC CHIP	0.1μF	10%	16V
C4929	1-112-777-11	CERAMIC CHIP	0.01μF	10%	25V	C4978	1-112-777-11	CERAMIC CHIP	0.01μF	10%	25V
C4930	1-100-916-11	CERAMIC CHIP	0.1μF	10%	16V	C4979	1-112-777-11	CERAMIC CHIP	0.01μF	10%	25V
C4931	1-135-366-11	ELECT CHIP	100μF	20%	16V	C4980	1-100-909-11	CERAMIC CHIP	10μF	10%	6.3V
C4932	1-112-777-11	CERAMIC CHIP	0.01μF	10%	25V	C4981	1-100-909-11	CERAMIC CHIP	10μF	10%	6.3V
C4933	1-135-366-11	ELECT CHIP	100μF	20%	16V	C4982	1-164-850-11	CERAMIC CHIP	10pF	0.50pF	50V
C4934	1-112-777-11	CERAMIC CHIP	0.01μF	10%	25V	C4983	1-164-852-11	CERAMIC CHIP	12pF	5%	50V
C4935	1-135-366-11	ELECT CHIP	100μF	20%	16V	C4984	1-112-781-11	CERAMIC CHIP	1μF	10%	10V
C4937	1-100-916-11	CERAMIC CHIP	0.1μF	10%	16V	C4985	1-100-916-11	CERAMIC CHIP	0.1μF	10%	16V
C4938	1-100-916-11	CERAMIC CHIP	0.1μF	10%	16V	C4986	1-112-777-11	CERAMIC CHIP	0.01μF	10%	25V
C4939	1-100-916-11	CERAMIC CHIP	0.1μF	10%	16V	C4988	1-100-916-11	CERAMIC CHIP	0.1μF	10%	16V
C4940	1-100-916-11	CERAMIC CHIP	0.1μF	10%	16V	C4989	1-100-916-11	CERAMIC CHIP	0.1μF	10%	16V
C4941	1-100-916-11	CERAMIC CHIP	0.1μF	10%	16V	C5001	1-135-366-11	ELECT CHIP	100μF	20%	16V
C4942	1-100-916-11	CERAMIC CHIP	0.1μF	10%	16V	C5002	1-135-366-11	ELECT CHIP	100μF	20%	16V
C4943	1-100-909-11	CERAMIC CHIP	10μF	10%	6.3V	C5003	1-100-916-11	CERAMIC CHIP	0.1μF	10%	16V
C4944	1-100-916-11	CERAMIC CHIP	0.1μF	10%	16V	C5004	1-112-777-11	CERAMIC CHIP	0.01μF	10%	25V
C4945	1-100-916-11	CERAMIC CHIP	0.1μF	10%	16V	C5005	1-112-066-11	CERAMIC CHIP	10μF	10%	10V
C4946	1-100-909-11	CERAMIC CHIP	10μF	10%	6.3V	C5006	1-100-916-11	CERAMIC CHIP	0.1μF	10%	16V
C4947	1-100-916-11	CERAMIC CHIP	0.1μF	10%	16V	C5010	1-100-909-11	CERAMIC CHIP	10μF	10%	6.3V
C4948	1-100-916-11	CERAMIC CHIP	0.1μF	10%	16V	C5011	1-100-916-11	CERAMIC CHIP	0.1μF	10%	16V
C4949	1-100-916-11	CERAMIC CHIP	0.1μF	10%	16V	C5012	1-100-916-11	CERAMIC CHIP	0.1μF	10%	16V
C4950	1-100-916-11	CERAMIC CHIP	0.1μF	10%	16V	C5013	1-100-916-11	CERAMIC CHIP	0.1μF	10%	16V
C4951	1-100-916-11	CERAMIC CHIP	0.1μF	10%	16V	C5014	1-100-916-11	CERAMIC CHIP	0.1μF	10%	16V
C4952	1-100-916-11	CERAMIC CHIP	0.1μF	10%	16V	C5015	1-100-916-11	CERAMIC CHIP	0.1μF	10%	16V
C4953	1-100-916-11	CERAMIC CHIP	0.1μF	10%	16V	C5016	1-100-905-11	CERAMIC CHIP	0.001μF	10%	50V
C4954	1-100-916-11	CERAMIC CHIP	0.1μF	10%	16V	C5017	1-100-905-11	CERAMIC CHIP	0.001μF	10%	50V
C4955	1-100-916-11	CERAMIC CHIP	0.1μF	10%	16V	C5018	1-100-905-11	CERAMIC CHIP	0.001μF	10%	50V
C4956	1-100-916-11	CERAMIC CHIP	0.1μF	10%	16V	C5019	1-100-905-11	CERAMIC CHIP	0.001μF	10%	50V
C4957	1-100-916-11	CERAMIC CHIP	0.1μF	10%	16V	C5020	1-135-366-11	ELECT CHIP	100μF	20%	16V
C4958	1-100-916-11	CERAMIC CHIP	0.1μF	10%	16V	C5021	1-112-777-11	CERAMIC CHIP	0.01μF	10%	25V

FB1

REF. NO.	PART NO.	DESCRIPTION	VALUES			REF. NO.	PART NO.	DESCRIPTION	VALUES		
C5024	1-100-916-11	CERAMIC CHIP	0.1μF	10%	16V	C5244	1-114-367-11	CERAMIC CHIP	0.1μF	20%	6.3V
C5025	1-100-909-11	CERAMIC CHIP	10μF	10%	6.3V	C5245	1-114-130-11	CERAMIC CHIP	1μF		6.3V
C5026	1-100-916-11	CERAMIC CHIP	0.1μF	10%	16V	C5246	1-114-367-11	CERAMIC CHIP	0.1μF	20%	6.3V
C5106	1-100-916-11	CERAMIC CHIP	0.1μF	10%	16V	C5247	1-114-367-11	CERAMIC CHIP	0.1μF	20%	6.3V
C5107	1-100-916-11	CERAMIC CHIP	0.1μF	10%	16V	C5248	1-114-130-11	CERAMIC CHIP	1μF		6.3V
C5200	1-112-779-11	CERAMIC CHIP	0.047μF	10%	25V	C5249	1-114-367-11	CERAMIC CHIP	0.1μF	20%	6.3V
C5201	1-164-882-11	CERAMIC CHIP	220pF	5%	16V	C5250	1-114-367-11	CERAMIC CHIP	0.1μF	20%	6.3V
C5202	1-115-412-11	CERAMIC CHIP	680pF	5%	25V	C5251	1-114-130-11	CERAMIC CHIP	1μF		6.3V
C5203	1-100-911-11	CERAMIC CHIP	4.7μF	10%	25V	C5252	1-114-367-11	CERAMIC CHIP	0.1μF	20%	6.3V
C5204	1-100-911-11	CERAMIC CHIP	4.7μF	10%	25V	C5253	1-114-367-11	CERAMIC CHIP	0.1μF	20%	6.3V
C5206	1-112-781-11	CERAMIC CHIP	1μF	10%	10V	C5254	1-114-130-11	CERAMIC CHIP	1μF		6.3V
C5208	1-100-916-11	CERAMIC CHIP	0.1μF	10%	16V	C5255	1-114-367-11	CERAMIC CHIP	0.1μF	20%	6.3V
C5209	1-112-786-11	ELECT CHIP	330μF	20%	4V	C5256	1-114-367-11	CERAMIC CHIP	0.1μF	20%	6.3V
C5212	1-100-909-11	CERAMIC CHIP	10μF	10%	6.3V	C5257	1-100-909-11	CERAMIC CHIP	10μF	10%	6.3V
C5213	1-114-367-11	CERAMIC CHIP	0.1μF	20%	6.3V	C5258	1-114-130-11	CERAMIC CHIP	1μF		6.3V
C5214	1-114-367-11	CERAMIC CHIP	0.1μF	20%	6.3V	C5259	1-114-367-11	CERAMIC CHIP	0.1μF	20%	6.3V
C5215	1-114-367-11	CERAMIC CHIP	0.1μF	20%	6.3V	C5260	1-114-367-11	CERAMIC CHIP	0.1μF	20%	6.3V
C5216	1-114-367-11	CERAMIC CHIP	0.1μF	20%	6.3V	C5261	1-114-367-11	CERAMIC CHIP	0.1μF	20%	6.3V
C5217	1-114-367-11	CERAMIC CHIP	0.1μF	20%	6.3V	C5262	1-114-130-11	CERAMIC CHIP	1μF		6.3V
C5218	1-114-367-11	CERAMIC CHIP	0.1μF	20%	6.3V	C5263	1-114-367-11	CERAMIC CHIP	0.1μF	20%	6.3V
C5219	1-114-367-11	CERAMIC CHIP	0.1μF	20%	6.3V	C5264	1-114-367-11	CERAMIC CHIP	0.1μF	20%	6.3V
C5220	1-114-367-11	CERAMIC CHIP	0.1μF	20%	6.3V	C5265	1-114-367-11	CERAMIC CHIP	0.1μF	20%	6.3V
C5221	1-114-367-11	CERAMIC CHIP	0.1μF	20%	6.3V	C5266	1-114-130-11	CERAMIC CHIP	1μF		6.3V
C5222	1-114-367-11	CERAMIC CHIP	0.1μF	20%	6.3V	C5267	1-114-367-11	CERAMIC CHIP	0.1μF	20%	6.3V
C5223	1-114-367-11	CERAMIC CHIP	0.1μF	20%	6.3V	C5268	1-114-130-11	CERAMIC CHIP	1μF		6.3V
C5224	1-114-367-11	CERAMIC CHIP	0.1μF	20%	6.3V	C5269	1-114-367-11	CERAMIC CHIP	0.1μF	20%	6.3V
C5225	1-114-367-11	CERAMIC CHIP	0.1μF	20%	6.3V	C5270	1-100-909-11	CERAMIC CHIP	10μF	10%	6.3V
C5226	1-114-367-11	CERAMIC CHIP	0.1μF	20%	6.3V	C5271	1-114-130-11	CERAMIC CHIP	1μF		6.3V
C5227	1-114-367-11	CERAMIC CHIP	0.1μF	20%	6.3V	C5272	1-114-367-11	CERAMIC CHIP	0.1μF	20%	6.3V
C5228	1-114-367-11	CERAMIC CHIP	0.1μF	20%	6.3V	C5273	1-114-130-11	CERAMIC CHIP	1μF		6.3V
C5229	1-114-367-11	CERAMIC CHIP	0.1μF	20%	6.3V	C5274	1-114-367-11	CERAMIC CHIP	0.1μF	20%	6.3V
C5230	1-114-367-11	CERAMIC CHIP	0.1μF	20%	6.3V	C5275	1-114-130-11	CERAMIC CHIP	1μF		6.3V
C5231	1-114-367-11	CERAMIC CHIP	0.1μF	20%	6.3V	C5276	1-114-367-11	CERAMIC CHIP	0.1μF	20%	6.3V
C5232	1-114-367-11	CERAMIC CHIP	0.1μF	20%	6.3V	C5277	1-114-130-11	CERAMIC CHIP	1μF		6.3V
C5233	1-100-909-11	CERAMIC CHIP	10μF	10%	6.3V	C5278	1-114-367-11	CERAMIC CHIP	0.1μF	20%	6.3V
C5234	1-114-367-11	CERAMIC CHIP	0.1μF	20%	6.3V	C5279	1-114-130-11	CERAMIC CHIP	1μF		6.3V
C5235	1-114-367-11	CERAMIC CHIP	0.1μF	20%	6.3V	C5280	1-114-367-11	CERAMIC CHIP	0.1μF	20%	6.3V
C5236	1-114-367-11	CERAMIC CHIP	0.1μF	20%	6.3V	C5281	1-114-130-11	CERAMIC CHIP	1μF		6.3V
C5237	1-114-367-11	CERAMIC CHIP	0.1μF	20%	6.3V	C5282	1-114-130-11	CERAMIC CHIP	1μF		6.3V
C5238	1-114-367-11	CERAMIC CHIP	0.1μF	20%	6.3V	C5283	1-114-130-11	CERAMIC CHIP	1μF		6.3V
C5239	1-114-130-11	CERAMIC CHIP	1μF		6.3V	C5284	1-114-130-11	CERAMIC CHIP	1μF		6.3V
C5240	1-114-367-11	CERAMIC CHIP	0.1μF	20%	6.3V	C5285	1-114-130-11	CERAMIC CHIP	1μF		6.3V
C5241	1-114-130-11	CERAMIC CHIP	1μF		6.3V	C5286	1-100-909-11	CERAMIC CHIP	10μF	10%	6.3V
C5242	1-114-130-11	CERAMIC CHIP	1μF		6.3V	C5287	1-112-066-11	CERAMIC CHIP	10μF	10%	10V
C5243	1-114-367-11	CERAMIC CHIP	0.1μF	20%	6.3V	C5288	1-100-909-11	CERAMIC CHIP	10μF	10%	6.3V

FB1

REF. NO.	PART NO.	DESCRIPTION	VALUES			REF. NO.	PART NO.	DESCRIPTION	VALUES		
C5289	1-114-367-11	CERAMIC CHIP	0.1μF	20%	6.3V	C5449	1-112-777-11	CERAMIC CHIP	0.01μF	10%	25V
C5290	1-114-343-11	ELECT CHIP	100μF	20%	6.3V	C5450	1-100-905-11	CERAMIC CHIP	0.001μF	10%	50V
C5291	1-100-916-11	CERAMIC CHIP	0.1μF	10%	16V	C5451	1-100-905-11	CERAMIC CHIP	0.001μF	10%	50V
C5400	1-100-916-11	CERAMIC CHIP	0.1μF	10%	16V	C5454	1-100-916-11	CERAMIC CHIP	0.1μF	10%	16V
C5401	1-100-916-11	CERAMIC CHIP	0.1μF	10%	16V	C5455	1-100-909-11	CERAMIC CHIP	10μF	10%	6.3V
C5402	1-100-916-11	CERAMIC CHIP	0.1μF	10%	16V	C5458	1-112-779-11	CERAMIC CHIP	0.047μF	10%	25V
C5403	1-100-916-11	CERAMIC CHIP	0.1μF	10%	16V	C5460	1-112-777-11	CERAMIC CHIP	0.01μF	10%	25V
C5404	1-100-916-11	CERAMIC CHIP	0.1μF	10%	16V	C5464	1-100-909-11	CERAMIC CHIP	10μF	10%	6.3V
C5409	1-100-916-11	CERAMIC CHIP	0.1μF	10%	16V	C5468	1-100-916-11	CERAMIC CHIP	0.1μF	10%	16V
C5410	1-100-916-11	CERAMIC CHIP	0.1μF	10%	16V	C5600	1-100-905-11	CERAMIC CHIP	0.001μF	10%	50V
C5414	1-100-909-11	CERAMIC CHIP	10μF	10%	6.3V	C5601	1-112-777-11	CERAMIC CHIP	0.01μF	10%	25V
C5415	1-100-916-11	CERAMIC CHIP	0.1μF	10%	16V	C5604	1-164-874-11	CERAMIC CHIP	100pF	5%	50V
C5416	1-100-909-11	CERAMIC CHIP	10μF	10%	6.3V	C5605	1-164-874-11	CERAMIC CHIP	100pF	5%	50V
C5417	1-100-916-11	CERAMIC CHIP	0.1μF	10%	16V	C5606	1-100-916-11	CERAMIC CHIP	0.1μF	10%	16V
C5418	1-100-905-11	CERAMIC CHIP	0.001μF	10%	50V	C5607	1-164-874-11	CERAMIC CHIP	100pF	5%	50V
C5419	1-100-905-11	CERAMIC CHIP	0.001μF	10%	50V	C5608	1-164-874-11	CERAMIC CHIP	100pF	5%	50V
C5420	1-100-905-11	CERAMIC CHIP	0.001μF	10%	50V	C5609	1-100-909-11	CERAMIC CHIP	10μF	10%	6.3V
C5421	1-100-905-11	CERAMIC CHIP	0.001μF	10%	50V	C5613	1-164-874-11	CERAMIC CHIP	100pF	5%	50V
C5422	1-112-777-11	CERAMIC CHIP	0.01μF	10%	25V	C5614	1-100-916-11	CERAMIC CHIP	0.1μF	10%	16V
C5423	1-112-777-11	CERAMIC CHIP	0.01μF	10%	25V	C5616	1-100-911-11	CERAMIC CHIP	4.7μF	10%	25V
C5424	1-112-777-11	CERAMIC CHIP	0.01μF	10%	25V	C5617	1-100-916-11	CERAMIC CHIP	0.1μF	10%	16V
C5425	1-112-777-11	CERAMIC CHIP	0.01μF	10%	25V	C5618	1-100-916-11	CERAMIC CHIP	0.1μF	10%	16V
C5426	1-100-905-11	CERAMIC CHIP	0.001μF	10%	50V	C5619	1-100-916-11	CERAMIC CHIP	0.1μF	10%	16V
C5427	1-112-777-11	CERAMIC CHIP	0.01μF	10%	25V	C5900	1-135-366-11	ELECT CHIP	100μF	20%	16V
C5428	1-100-905-11	CERAMIC CHIP	0.001μF	10%	50V	C5902	1-112-781-11	CERAMIC CHIP	1μF	10%	10V
C5429	1-112-777-11	CERAMIC CHIP	0.01μF	10%	25V	C5903	1-100-916-11	CERAMIC CHIP	0.1μF	10%	16V
C5430	1-100-905-11	CERAMIC CHIP	0.001μF	10%	50V	CONNECTOR					
C5431	1-112-777-11	CERAMIC CHIP	0.01μF	10%	25V	* CN2101	1-819-474-11	HEADER ASSEMBLY FOR PWB			
C5432	1-100-905-11	CERAMIC CHIP	0.001μF	10%	50V	CN2701	1-819-390-51	FFC/FPC CONNECTOR (ZIF)	49P		
C5433	1-112-777-11	CERAMIC CHIP	0.01μF	10%	25V	CN2702	1-821-180-11	MEMORY STICK CONNECTOR			
C5434	1-100-905-11	CERAMIC CHIP	0.001μF	10%	50V	CN2900	1-820-581-11	HEADER ASSEMBLY FOR PWB			
C5435	1-112-777-11	CERAMIC CHIP	0.01μF	10%	25V	CN4001	1-821-378-11	BOARD TO BOARD CONNECTOR			
C5436	1-100-905-11	CERAMIC CHIP	0.001μF	10%	50V	CN4002	1-821-377-11	BOARD TO BOARD CONNECTOR			
C5437	1-112-777-11	CERAMIC CHIP	0.01μF	10%	25V	CN4300	1-818-737-11	HDMI CONNECTOR			
C5438	1-100-905-11	CERAMIC CHIP	0.001μF	10%	50V	CN4301	1-818-737-11	HDMI CONNECTOR			
C5439	1-112-777-11	CERAMIC CHIP	0.01μF	10%	25V	CN4302	1-821-186-11	HEADER ASSEMBLY FOR PWB			
C5440	1-100-905-11	CERAMIC CHIP	0.001μF	10%	50V	CN4600	1-821-013-11	D SUB CONNECTOR			
C5441	1-112-777-11	CERAMIC CHIP	0.01μF	10%	25V	* CN5600	1-819-797-11	HEADER ASSEMBLY FOR PWB			
C5442	1-100-905-11	CERAMIC CHIP	0.001μF	10%	50V	CN5601	1-821-034-11	HEADER ASSEMBLY FOR PWB			
C5443	1-100-905-11	CERAMIC CHIP	0.001μF	10%	50V	DIODE					
C5444	1-112-777-11	CERAMIC CHIP	0.01μF	10%	25V	D2300	8-719-053-08	DIODE	SML-310DTT86		
C5445	1-112-777-11	CERAMIC CHIP	0.01μF	10%	25V	D2700	6-500-019-01	DIODE	MM3Z3V9ST1		
C5446	1-100-916-11	CERAMIC CHIP	0.1μF	10%	16V	D3300	6-501-657-01	DIODE	MA24D5000BS0		
C5447	1-100-916-11	CERAMIC CHIP	0.1μF	10%	16V						
C5448	1-112-777-11	CERAMIC CHIP	0.01μF	10%	25V						

FB1

REF. NO.	PART NO.	DESCRIPTION	VALUES	REF. NO.	PART NO.	DESCRIPTION	VALUES
D4100	8-719-081-67	DIODE	M1FM3	ET4105	1-780-482-11	EARTH TERMINAL	
D4101	8-719-081-67	DIODE	M1FM3	ET4106	1-780-482-11	EARTH TERMINAL	
D4104	6-501-528-01	DIODE	1SMA5915BT3G	ET4107	1-780-482-11	EARTH TERMINAL	
D4105	6-501-528-01	DIODE	1SMA5915BT3G	ET4108	1-780-482-11	EARTH TERMINAL	
D4108	8-719-081-67	DIODE	M1FM3	ET4109	1-780-482-11	EARTH TERMINAL	
D4111	6-501-528-01	DIODE	1SMA5915BT3G	ET4110	1-780-482-11	EARTH TERMINAL	
* D4300	6-501-732-01	DIODE	MAZ8056G0LS0	ET4111	1-780-482-11	EARTH TERMINAL	
* D4301	6-501-732-01	DIODE	MAZ8056G0LS0	ET4112	1-780-482-11	EARTH TERMINAL	
D4302	1-802-245-11	ESD SUPPRESSOR		ET4113	1-780-482-11	EARTH TERMINAL	
D4303	1-802-245-11	ESD SUPPRESSOR		ET4114	1-780-482-11	EARTH TERMINAL	
D4304	1-802-245-11	ESD SUPPRESSOR		ET4115	1-780-482-11	EARTH TERMINAL	
D4305	1-802-245-11	ESD SUPPRESSOR		ET4116	1-780-482-11	EARTH TERMINAL	
D4306	1-802-245-11	ESD SUPPRESSOR		ET4117	1-780-482-11	EARTH TERMINAL	
D4307	1-802-245-11	ESD SUPPRESSOR		ET4118	1-780-482-11	EARTH TERMINAL	
D4308	1-802-245-11	ESD SUPPRESSOR		ET4119	1-780-482-11	EARTH TERMINAL	
D4309	6-500-335-01	DIODE	MC2838-T112-1	FUSE			
D4310	6-500-335-01	DIODE	MC2838-T112-1	F4100	1-576-603-21	FUSE	3.15A 24V
D4311	1-802-245-11	ESD SUPPRESSOR		F4102	1-576-603-21	FUSE	3.15A 24V
D4312	1-802-245-11	ESD SUPPRESSOR		F4500	1-576-913-11	FUSE	1.6A 36V
D4313	1-802-245-11	ESD SUPPRESSOR		F4501	1-576-913-11	FUSE	1.6A 36V
D4314	1-802-245-11	ESD SUPPRESSOR		F4600	1-576-646-11	FUSE	0.5A 50V
D4315	1-802-245-11	ESD SUPPRESSOR		F4900	1-576-596-21	FUSE	1A 32V
D4316	1-802-245-11	ESD SUPPRESSOR		F4901	1-576-646-11	FUSE	0.5A 50V
D4317	1-802-245-11	ESD SUPPRESSOR		F4902	1-576-913-11	FUSE	1.6A 36V
D4318	1-802-245-11	ESD SUPPRESSOR		F5200	1-576-603-21	FUSE	3.15A 24V
D4319	1-802-245-11	ESD SUPPRESSOR		FERRITE BEAD			
D4320	1-802-245-11	ESD SUPPRESSOR		FB2100	1-400-382-11	FERRITE	0μH
D4321	1-802-245-11	ESD SUPPRESSOR		FB2300	1-400-382-11	FERRITE	0μH
D4322	1-802-245-11	ESD SUPPRESSOR		FB2301	1-400-382-11	FERRITE	0μH
D4323	1-802-245-11	ESD SUPPRESSOR		FB2302	1-400-382-11	FERRITE	0μH
* D4324	6-501-732-01	DIODE	MAZ8056G0LS0	FB2902	1-400-382-11	FERRITE	0μH
D4330	6-500-813-01	DIODE	MA2SD32008S0	FB2903	1-400-382-11	FERRITE	0μH
* D4336	6-501-732-01	DIODE	MAZ8056G0LS0	FB2912	1-400-461-21	FERRITE	0μH
* D4337	6-501-732-01	DIODE	MAZ8056G0LS0	FB2913	1-400-461-21	FERRITE	0μH
* D4602	6-501-732-01	DIODE	MAZ8056G0LS0	FB2914	1-400-461-21	FERRITE	0μH
* D4603	6-501-732-01	DIODE	MAZ8056G0LS0	FB3300	1-400-382-11	FERRITE	0μH
* D4604	6-501-732-01	DIODE	MAZ8056G0LS0	FB4000	1-400-499-21	FERRITE	0μH
D4605	6-500-335-01	DIODE	MC2838-T112-1	FB4004	1-400-499-21	FERRITE	0μH
EARTH TERMINAL				FB4108	1-400-580-21	FERRITE	0μH
ET4100	1-780-482-11	EARTH TERMINAL		FB4109	1-400-580-21	FERRITE	0μH
ET4101	1-780-482-11	EARTH TERMINAL		FB4122	1-400-580-21	FERRITE	0μH
ET4102	1-780-482-11	EARTH TERMINAL		FB4123	1-400-580-21	FERRITE	0μH
ET4103	1-780-482-11	EARTH TERMINAL		FB4300	1-400-382-11	FERRITE	0μH
ET4104	1-780-482-11	EARTH TERMINAL		FB4301	1-400-382-11	FERRITE	0μH

FB1

REF. NO.	PART NO.	DESCRIPTION	VALUES			REF. NO.	PART NO.	DESCRIPTION	VALUES		
R2305	1-218-977-11	RES-CHIP	100K	5%	1/16W	R2821	1-218-937-11	RES-CHIP	47	5%	1/16W
R2307	1-218-977-11	RES-CHIP	100K	5%	1/16W	R2823	1-218-937-11	RES-CHIP	47	5%	1/16W
R2308	1-218-965-11	RES-CHIP	10K	5%	1/16W	R2824	1-218-937-11	RES-CHIP	47	5%	1/16W
R2311	1-218-977-11	RES-CHIP	100K	5%	1/16W	R2825	1-218-937-11	RES-CHIP	47	5%	1/16W
R2315	1-218-977-11	RES-CHIP	100K	5%	1/16W	R2829	1-218-965-11	RES-CHIP	10K	5%	1/16W
R2316	1-218-977-11	RES-CHIP	100K	5%	1/16W	R2831	1-218-989-11	RES-CHIP	1M	5%	1/16W
R2349	1-218-965-11	RES-CHIP	10K	5%	1/16W	R2832	1-211-989-11	METAL CHIP	68	0.50%	1/10W
R2350	1-218-989-11	RES-CHIP	1M	5%	1/16W	R2833	1-211-989-11	METAL CHIP	68	0.50%	1/10W
R2352	1-218-953-11	RES-CHIP	1K	5%	1/16W	R2834	1-211-992-11	METAL CHIP	91	0.50%	1/10W
R2367	1-218-990-81	SHORT CHIP				R2835	1-211-992-11	METAL CHIP	91	0.50%	1/10W
R2369	1-218-965-11	RES-CHIP	10K	5%	1/16W	R2836	1-208-635-11	METAL CHIP	10	0.50%	1/16W
R2371	1-218-965-11	RES-CHIP	10K	5%	1/16W	R2847	1-208-635-11	METAL CHIP	10	0.50%	1/16W
R2372	1-218-961-11	RES-CHIP	4.7K	5%	1/16W	R2850	1-218-933-11	RES-CHIP	22	5%	1/16W
R2373	1-218-965-11	RES-CHIP	10K	5%	1/16W	R2852	1-216-864-11	SHORT CHIP			
R2374	1-218-990-81	SHORT CHIP				R2900	1-218-945-11	RES-CHIP	220	5%	1/16W
R2503	1-218-935-11	RES-CHIP	33	5%	1/16W	R2914	1-218-937-11	RES-CHIP	47	5%	1/16W
R2504	1-208-663-11	METAL CHIP	150	0.50%	1/16W	R2915	1-218-937-11	RES-CHIP	47	5%	1/16W
R2505	1-208-663-11	METAL CHIP	150	0.50%	1/16W	R2916	1-218-937-11	RES-CHIP	47	5%	1/16W
R2508	1-218-933-11	RES-CHIP	22	5%	1/16W	R2930	1-218-941-81	RES-CHIP	100	5%	1/16W
R2509	1-218-933-11	RES-CHIP	22	5%	1/16W	R2941	1-208-911-11	METAL CHIP	10K	0.50%	1/16W
R2510	1-218-933-11	RES-CHIP	22	5%	1/16W	R2942	1-208-935-11	METAL CHIP	100K	0.50%	1/16W
R2511	1-218-933-11	RES-CHIP	22	5%	1/16W	R2952	1-220-884-81	METAL CHIP	39	0.50%	1/16W
R2512	1-218-933-11	RES-CHIP	22	5%	1/16W	R2953	1-208-675-11	METAL CHIP	470	0.50%	1/16W
R2513	1-218-933-11	RES-CHIP	22	5%	1/16W	R2954	1-208-675-11	METAL CHIP	470	0.50%	1/16W
R2514	1-218-933-11	RES-CHIP	22	5%	1/16W	R2955	1-220-884-81	METAL CHIP	39	0.50%	1/16W
R2519	1-218-943-11	RES-CHIP	150	5%	1/16W	R2956	1-208-711-11	METAL CHIP	15K	0.50%	1/16W
R2520	1-218-943-11	RES-CHIP	150	5%	1/16W	R2957	1-208-711-11	METAL CHIP	15K	0.50%	1/16W
R2704	1-218-935-11	RES-CHIP	33	5%	1/16W	R2961	1-218-961-11	RES-CHIP	4.7K	5%	1/16W
R2705	1-218-990-81	SHORT CHIP				R2966	1-218-961-11	RES-CHIP	4.7K	5%	1/16W
R2706	1-218-990-81	SHORT CHIP				R3304	1-218-953-11	RES-CHIP	1K	5%	1/16W
R2707	1-218-990-81	SHORT CHIP				R3305	1-208-711-11	METAL CHIP	15K	0.50%	1/16W
R2708	1-218-990-81	SHORT CHIP				R3309	1-218-965-11	RES-CHIP	10K	5%	1/16W
R2721	1-218-990-81	SHORT CHIP				R3310	1-218-965-11	RES-CHIP	10K	5%	1/16W
R2722	1-218-990-81	SHORT CHIP				R3311	1-216-864-11	SHORT CHIP			
R2723	1-218-990-81	SHORT CHIP				R3323	1-218-990-81	SHORT CHIP			
R2729	1-208-883-81	METAL CHIP	680	0.50%	1/16W	R3324	1-218-990-81	SHORT CHIP			
R2731	1-208-683-11	METAL CHIP	1K	0.50%	1/16W	R3325	1-208-677-11	METAL CHIP	560	0.50%	1/16W
R2732	1-208-687-11	METAL CHIP	1.5K	0.50%	1/16W	R3326	1-208-923-11	METAL CHIP	33K	0.50%	1/16W
R2735	1-218-990-81	SHORT CHIP				R3331	1-208-911-11	METAL CHIP	10K	0.50%	1/16W
R2761	1-218-949-11	RES-CHIP	470	5%	1/16W	R3333	1-218-965-11	RES-CHIP	10K	5%	1/16W
R2769	1-218-933-11	RES-CHIP	22	5%	1/16W	R3334	1-216-791-11	METAL CHIP	3.3	5%	1/10W
R2786	1-218-937-11	RES-CHIP	47	5%	1/16W	R3335	1-208-699-11	METAL CHIP	4.7K	0.50%	1/16W
R2793	1-218-937-11	RES-CHIP	47	5%	1/16W	R3337	1-208-911-11	METAL CHIP	10K	0.50%	1/16W
R2805	1-218-933-11	RES-CHIP	22	5%	1/16W	R3338	1-218-965-11	RES-CHIP	10K	5%	1/16W
R2819	1-218-965-11	RES-CHIP	10K	5%	1/16W	R3339	1-208-677-11	METAL CHIP	560	0.50%	1/16W

FB1

REF. NO.	PART NO.	DESCRIPTION	VALUES			REF. NO.	PART NO.	DESCRIPTION	VALUES		
R3341	1-218-990-81	SHORT CHIP				R4053	1-218-990-81	SHORT CHIP			
R3342	1-218-990-81	SHORT CHIP				R4054	1-218-990-81	SHORT CHIP			
R3343	1-208-695-11	METAL CHIP	3.3K	0.50%	1/16W	R4055	1-218-990-81	SHORT CHIP			
R3344	1-218-953-11	RES-CHIP	1K	5%	1/16W	R4056	1-218-990-81	SHORT CHIP			
R3346	1-218-941-11	RES-CHIP	100	5%	1/16W	R4057	1-218-990-81	SHORT CHIP			
R3351	1-218-990-81	SHORT CHIP				R4058	1-218-990-81	SHORT CHIP			
R3354	1-208-643-11	METAL CHIP	22	0.50%	1/16W	R4059	1-218-990-81	SHORT CHIP			
R3355	1-208-675-11	METAL CHIP	470	0.50%	1/16W	R4060	1-218-990-81	SHORT CHIP			
R3356	1-208-894-81	METAL CHIP	2K	0.50%	1/16W	R4064	1-218-990-81	SHORT CHIP			
R3359	1-218-990-81	SHORT CHIP				R4065	1-218-990-81	SHORT CHIP			
R3360	1-208-893-11	METAL CHIP	1.8K	0.50%	1/16W	R4068	1-218-990-81	SHORT CHIP			
R3361	1-208-894-81	METAL CHIP	2K	0.50%	1/16W	R4069	1-218-990-81	SHORT CHIP			
R3365	1-218-990-81	SHORT CHIP				R4070	1-218-990-81	SHORT CHIP			
R4000	1-218-990-81	SHORT CHIP				R4071	1-218-990-81	SHORT CHIP			
R4001	1-218-990-81	SHORT CHIP				R4072	1-218-990-81	SHORT CHIP			
R4004	1-218-990-81	SHORT CHIP				R4073	1-218-990-81	SHORT CHIP			
R4005	1-218-990-81	SHORT CHIP				R4074	1-218-990-81	SHORT CHIP			
R4015	1-216-864-11	SHORT CHIP				R4075	1-218-990-81	SHORT CHIP			
R4021	1-218-990-81	SHORT CHIP				R4076	1-218-990-81	SHORT CHIP			
R4024	1-218-990-81	SHORT CHIP				R4078	1-218-990-81	SHORT CHIP			
R4025	1-218-990-81	SHORT CHIP				R4079	1-218-990-81	SHORT CHIP			
R4026	1-218-990-81	SHORT CHIP				R4080	1-218-990-81	SHORT CHIP			
R4028	1-218-990-81	SHORT CHIP				R4081	1-218-990-81	SHORT CHIP			
R4030	1-218-990-81	SHORT CHIP				R4083	1-218-990-81	SHORT CHIP			
R4031	1-218-990-81	SHORT CHIP				R4090	1-218-990-81	SHORT CHIP			
R4032	1-218-990-81	SHORT CHIP				R4091	1-218-990-81	SHORT CHIP			
R4033	1-218-990-81	SHORT CHIP				R4092	1-218-990-81	SHORT CHIP			
R4034	1-218-990-81	SHORT CHIP				R4093	1-218-990-81	SHORT CHIP			
R4035	1-218-990-81	SHORT CHIP				R4094	1-218-990-81	SHORT CHIP			
R4037	1-218-990-81	SHORT CHIP				R4095	1-218-990-81	SHORT CHIP			
R4038	1-218-990-81	SHORT CHIP				R4096	1-218-990-81	SHORT CHIP			
R4039	1-218-990-81	SHORT CHIP				R4097	1-218-990-81	SHORT CHIP			
R4040	1-218-990-81	SHORT CHIP				R4098	1-218-990-81	SHORT CHIP			
R4041	1-218-990-81	SHORT CHIP				R4099	1-218-990-81	SHORT CHIP			
R4042	1-218-990-81	SHORT CHIP				R4100	1-208-711-11	METAL CHIP	15K	0.50%	1/16W
R4043	1-218-990-81	SHORT CHIP				R4102	1-218-990-81	SHORT CHIP			
R4044	1-218-990-81	SHORT CHIP				R4103	1-218-990-81	SHORT CHIP			
R4045	1-218-990-81	SHORT CHIP				R4104	1-208-943-11	METAL CHIP	220K	0.50%	1/16W
R4046	1-218-990-81	SHORT CHIP				R4105	1-208-943-11	METAL CHIP	220K	0.50%	1/16W
R4047	1-218-990-81	SHORT CHIP				R4106	1-218-990-81	SHORT CHIP			
R4048	1-218-990-81	SHORT CHIP				R4111	1-218-929-11	RES-CHIP	10	5%	1/16W
R4049	1-218-990-81	SHORT CHIP				R4112	1-208-703-11	METAL CHIP	6.8K	0.50%	1/16W
R4050	1-218-990-81	SHORT CHIP				R4115	1-218-929-11	RES-CHIP	10	5%	1/16W
R4051	1-218-990-81	SHORT CHIP				R4116	1-218-990-81	SHORT CHIP			
R4052	1-218-990-81	SHORT CHIP				R4117	1-218-990-81	SHORT CHIP			

FB1

REF. NO.	PART NO.	DESCRIPTION	VALUES			REF. NO.	PART NO.	DESCRIPTION	VALUES		
R4119	1-218-929-11	RES-CHIP	10	5%	1/16W	R4308	1-218-990-81	SHORT CHIP			
R4120	1-218-990-81	SHORT CHIP				R4309	1-218-990-81	SHORT CHIP			
R4121	1-218-990-81	SHORT CHIP				R4310	1-218-990-81	SHORT CHIP			
R4122	1-208-909-11	METAL CHIP	8.2K	0.50%	1/16W	R4311	1-218-990-81	SHORT CHIP			
R4127	1-218-990-81	SHORT CHIP				R4312	1-218-990-81	SHORT CHIP			
R4128	1-218-929-11	RES-CHIP	10	5%	1/16W	R4313	1-218-990-81	SHORT CHIP			
R4129	1-218-965-11	RES-CHIP	10K	5%	1/16W	R4315	1-218-990-81	SHORT CHIP			
R4130	1-218-929-11	RES-CHIP	10	5%	1/16W	R4316	1-218-929-11	RES-CHIP	10	5%	1/16W
R4131	1-218-965-11	RES-CHIP	10K	5%	1/16W	R4317	1-218-929-11	RES-CHIP	10	5%	1/16W
R4138	1-218-990-81	SHORT CHIP				R4318	1-208-683-11	METAL CHIP	1K	0.50%	1/16W
R4141	1-208-715-11	METAL CHIP	22K	0.50%	1/16W	R4319	1-208-683-11	METAL CHIP	1K	0.50%	1/16W
R4144	1-218-990-81	SHORT CHIP				R4320	1-218-990-81	SHORT CHIP			
R4146	1-218-978-11	RES-CHIP	120K	5%	1/16W	R4324	1-218-973-11	RES-CHIP	47K	5%	1/16W
R4147	1-218-978-11	RES-CHIP	120K	5%	1/16W	R4329	1-218-990-81	SHORT CHIP			
R4148	1-218-978-11	RES-CHIP	120K	5%	1/16W	R4331	1-218-990-81	SHORT CHIP			
R4152	1-208-711-11	METAL CHIP	15K	0.50%	1/16W	R4332	1-208-889-11	METAL CHIP	1.2K	0.50%	1/16W
R4160	1-208-711-11	METAL CHIP	15K	0.50%	1/16W	R4333	1-208-869-11	METAL CHIP	180	0.50%	1/16W
R4161	1-218-990-81	SHORT CHIP				R4334	1-208-683-11	METAL CHIP	1K	0.50%	1/16W
R4162	1-218-978-11	RES-CHIP	120K	5%	1/16W	R4336	1-208-889-11	METAL CHIP	1.2K	0.50%	1/16W
R4163	1-208-929-81	METAL CHIP	56K	0.50%	1/16W	R4337	1-208-675-11	METAL CHIP	470	0.50%	1/16W
R4164	1-208-721-11	METAL CHIP	39K	0.50%	1/16W	R4338	1-208-675-11	METAL CHIP	470	0.50%	1/16W
R4165	1-218-990-81	SHORT CHIP				R4339	1-218-990-81	SHORT CHIP			
R4166	1-208-715-11	METAL CHIP	22K	0.50%	1/16W	R4341	1-208-691-11	METAL CHIP	2.2K	0.50%	1/16W
R4169	1-218-990-81	SHORT CHIP				R4343	1-218-990-81	SHORT CHIP			
R4171	1-218-990-81	SHORT CHIP				R4345	1-218-961-11	RES-CHIP	4.7K	5%	1/16W
R4172	1-208-911-11	METAL CHIP	10K	0.50%	1/16W	R4346	1-218-990-81	SHORT CHIP			
R4173	1-208-675-11	METAL CHIP	470	0.50%	1/16W	R4347	1-218-990-81	SHORT CHIP			
R4174	1-218-990-81	SHORT CHIP				R4348	1-218-990-81	SHORT CHIP			
R4175	1-208-683-11	METAL CHIP	1K	0.50%	1/16W	R4349	1-218-990-81	SHORT CHIP			
R4177	1-218-929-11	RES-CHIP	10	5%	1/16W	R4350	1-218-990-81	SHORT CHIP			
R4178	1-218-965-11	RES-CHIP	10K	5%	1/16W	R4351	1-218-990-81	SHORT CHIP			
R4181	1-218-990-81	SHORT CHIP				R4352	1-218-990-81	SHORT CHIP			
R4188	1-218-990-81	SHORT CHIP				R4353	1-218-990-81	SHORT CHIP			
R4201	1-218-965-11	RES-CHIP	10K	5%	1/16W	R4354	1-218-990-81	SHORT CHIP			
R4202	1-218-953-11	RES-CHIP	1K	5%	1/16W	R4355	1-218-990-81	SHORT CHIP			
R4206	1-216-864-11	SHORT CHIP				R4356	1-218-990-81	SHORT CHIP			
R4207	1-216-864-11	SHORT CHIP				R4357	1-218-990-81	SHORT CHIP			
R4208	1-216-864-11	SHORT CHIP				R4358	1-218-990-81	SHORT CHIP			
R4300	1-218-990-81	SHORT CHIP				R4359	1-218-990-81	SHORT CHIP			
R4301	1-218-990-81	SHORT CHIP				R4360	1-218-990-81	SHORT CHIP			
R4302	1-218-990-81	SHORT CHIP				R4361	1-218-990-81	SHORT CHIP			
R4303	1-208-691-11	METAL CHIP	2.2K	0.50%	1/16W	R4362	1-208-691-11	METAL CHIP	2.2K	0.50%	1/16W
R4304	1-208-691-11	METAL CHIP	2.2K	0.50%	1/16W	R4363	1-218-990-81	SHORT CHIP			
R4306	1-218-990-81	SHORT CHIP				R4364	1-218-990-81	SHORT CHIP			
R4307	1-218-990-81	SHORT CHIP				R4365	1-208-691-11	METAL CHIP	2.2K	0.50%	1/16W

FB1

REF. NO.	PART NO.	DESCRIPTION	VALUES			REF. NO.	PART NO.	DESCRIPTION	VALUES		
R4366	1-218-953-11	RES-CHIP	1K	5%	1/16W	R4524	1-218-990-81	SHORT CHIP			
R4367	1-218-973-11	RES-CHIP	47K	5%	1/16W	R4525	1-218-961-11	RES-CHIP	4.7K	5%	1/16W
R4368	1-218-973-11	RES-CHIP	47K	5%	1/16W	R4527	1-218-965-11	RES-CHIP	10K	5%	1/16W
R4369	1-218-973-11	RES-CHIP	47K	5%	1/16W	R4534	1-216-864-11	SHORT CHIP			
R4370	1-218-973-11	RES-CHIP	47K	5%	1/16W	R4535	1-218-973-11	RES-CHIP	47K	5%	1/16W
R4371	1-218-990-81	SHORT CHIP				R4536	1-218-973-11	RES-CHIP	47K	5%	1/16W
R4372	1-208-699-11	METAL CHIP	4.7K	0.50%	1/16W	R4538	1-216-864-11	SHORT CHIP			
R4373	1-218-961-11	RES-CHIP	4.7K	5%	1/16W	R4539	1-218-990-81	SHORT CHIP			
R4374	1-218-990-81	SHORT CHIP				R4542	1-218-973-11	RES-CHIP	47K	5%	1/16W
R4410	1-218-990-81	SHORT CHIP				R4545	1-218-939-11	RES-CHIP	68	5%	1/16W
R4411	1-218-990-81	SHORT CHIP				R4546	1-218-939-11	RES-CHIP	68	5%	1/16W
R4412	1-218-990-81	SHORT CHIP				R4547	1-218-935-11	RES-CHIP	33	5%	1/16W
R4413	1-218-990-81	SHORT CHIP				R4600	1-208-675-11	METAL CHIP	470	0.50%	1/16W
R4414	1-218-990-81	SHORT CHIP				R4601	1-208-675-11	METAL CHIP	470	0.50%	1/16W
R4415	1-218-990-81	SHORT CHIP				R4602	1-208-675-11	METAL CHIP	470	0.50%	1/16W
R4416	1-218-990-81	SHORT CHIP				R4606	1-208-677-11	METAL CHIP	560	0.50%	1/16W
R4417	1-218-990-81	SHORT CHIP				R4607	1-208-677-11	METAL CHIP	560	0.50%	1/16W
R4418	1-218-990-81	SHORT CHIP				R4608	1-208-677-11	METAL CHIP	560	0.50%	1/16W
R4419	1-218-990-81	SHORT CHIP				R4609	1-208-861-81	METAL CHIP	82	0.50%	1/16W
R4424	1-218-990-81	SHORT CHIP				R4610	1-208-861-81	METAL CHIP	82	0.50%	1/16W
R4428	1-208-923-11	METAL CHIP	33K	0.50%	1/16W	R4611	1-208-861-81	METAL CHIP	82	0.50%	1/16W
R4432	1-216-864-11	SHORT CHIP				R4618	1-218-835-11	METAL CHIP	330	0.50%	1/10W
R4433	1-208-939-11	METAL CHIP	150K	0.50%	1/16W	R4619	1-218-929-11	RES-CHIP	10	5%	1/16W
R4456	1-218-990-81	SHORT CHIP				R4620	1-218-835-11	METAL CHIP	330	0.50%	1/10W
R4458	1-218-990-81	SHORT CHIP				R4621	1-218-929-11	RES-CHIP	10	5%	1/16W
R4462	1-218-941-81	RES-CHIP	100	5%	1/16W	R4622	1-218-835-11	METAL CHIP	330	0.50%	1/10W
R4463	1-218-941-81	RES-CHIP	100	5%	1/16W	R4623	1-218-929-11	RES-CHIP	10	5%	1/16W
R4467	1-218-990-81	SHORT CHIP				R4628	1-216-815-11	METAL CHIP	330	5%	1/10W
R4471	1-218-990-81	SHORT CHIP				R4629	1-216-815-11	METAL CHIP	330	5%	1/10W
R4498	1-208-691-11	METAL CHIP	2.2K	0.50%	1/16W	R4630	1-216-815-11	METAL CHIP	330	5%	1/10W
R4499	1-218-989-11	RES-CHIP	1M	5%	1/16W	R4631	1-216-815-11	METAL CHIP	330	5%	1/10W
R4500	1-218-973-11	RES-CHIP	47K	5%	1/16W	R4636	1-218-990-81	SHORT CHIP			
R4502	1-218-990-81	SHORT CHIP				R4637	1-218-990-81	SHORT CHIP			
R4503	1-218-939-11	RES-CHIP	68	5%	1/16W	R4640	1-218-990-81	SHORT CHIP			
R4505	1-218-937-11	RES-CHIP	47	5%	1/16W	R4641	1-218-965-11	RES-CHIP	10K	5%	1/16W
R4506	1-218-937-11	RES-CHIP	47	5%	1/16W	R4642	1-218-941-81	RES-CHIP	100	5%	1/16W
R4508	1-218-937-11	RES-CHIP	47	5%	1/16W	R4644	1-218-990-81	SHORT CHIP			
R4509	1-218-937-11	RES-CHIP	47	5%	1/16W	R4646	1-218-937-11	RES-CHIP	47	5%	1/16W
R4511	1-218-937-11	RES-CHIP	47	5%	1/16W	R4648	1-218-937-11	RES-CHIP	47	5%	1/16W
R4512	1-218-937-11	RES-CHIP	47	5%	1/16W	R4649	1-218-937-11	RES-CHIP	47	5%	1/16W
R4513	1-218-937-11	RES-CHIP	47	5%	1/16W	R4652	1-218-937-11	RES-CHIP	47	5%	1/16W
R4514	1-218-937-11	RES-CHIP	47	5%	1/16W	R4654	1-218-965-11	RES-CHIP	10K	5%	1/16W
R4515	1-218-933-11	RES-CHIP	22	5%	1/16W	R4660	1-208-691-11	METAL CHIP	2.2K	0.50%	1/16W
R4520	1-218-933-11	RES-CHIP	22	5%	1/16W	R4662	1-218-937-11	RES-CHIP	47	5%	1/16W
R4523	1-218-990-81	SHORT CHIP				R4684	1-208-691-11	METAL CHIP	2.2K	0.50%	1/16W

FB1

REF. NO.	PART NO.	DESCRIPTION	VALUES			REF. NO.	PART NO.	DESCRIPTION	VALUES		
R4685	1-208-691-11	METAL CHIP	2.2K	0.50%	1/16W	R4756	1-218-953-11	RES-CHIP	1K	5%	1/16W
R4692	1-208-699-11	METAL CHIP	4.7K	0.50%	1/16W	R4762	1-208-677-11	METAL CHIP	560	0.50%	1/16W
R4693	1-218-941-11	RES-CHIP	100	5%	1/16W	R4763	1-218-990-81	SHORT CHIP			
R4696	1-218-933-11	RES-CHIP	22	5%	1/16W	R4764	1-208-703-11	METAL CHIP	6.8K	0.50%	1/16W
R4700	1-216-864-11	SHORT CHIP				R4766	1-208-643-11	METAL CHIP	22	0.50%	1/16W
R4701	1-208-695-11	METAL CHIP	3.3K	0.50%	1/16W	R4768	1-208-643-11	METAL CHIP	22	0.50%	1/16W
R4702	1-208-893-11	METAL CHIP	1.8K	0.50%	1/16W	R4770	1-208-643-11	METAL CHIP	22	0.50%	1/16W
R4703	1-208-889-11	METAL CHIP	1.2K	0.50%	1/16W	R4772	1-218-935-11	RES-CHIP	33	5%	1/16W
R4704	1-208-675-11	METAL CHIP	470	0.50%	1/16W	R4788	1-218-833-11	METAL CHIP	270	0.50%	1/10W
R4705	1-208-699-11	METAL CHIP	4.7K	0.50%	1/16W	R4789	1-211-979-11	METAL CHIP	27	0.50%	1/10W
R4706	1-208-871-81	METAL CHIP	220	0.50%	1/16W	R4790	1-218-833-11	METAL CHIP	270	0.50%	1/10W
R4707	1-208-699-11	METAL CHIP	4.7K	0.50%	1/16W	R4791	1-211-979-11	METAL CHIP	27	0.50%	1/10W
R4710	1-218-990-81	SHORT CHIP				R4792	1-218-833-11	METAL CHIP	270	0.50%	1/10W
R4712	1-218-933-11	RES-CHIP	22	5%	1/16W	R4793	1-211-979-11	METAL CHIP	27	0.50%	1/10W
R4714	1-216-815-11	METAL CHIP	330	5%	1/10W	R4798	1-216-815-11	METAL CHIP	330	5%	1/10W
R4716	1-218-965-11	RES-CHIP	10K	5%	1/16W	R4799	1-216-815-11	METAL CHIP	330	5%	1/10W
R4717	1-218-958-11	RES-CHIP	2.7K	5%	1/16W	R4880	1-218-965-11	RES-CHIP	10K	5%	1/16W
R4718	1-218-943-11	RES-CHIP	150	5%	1/16W	R4881	1-218-965-11	RES-CHIP	10K	5%	1/16W
R4719	1-218-951-11	RES-CHIP	680	5%	1/16W	R4882	1-218-965-11	RES-CHIP	10K	5%	1/16W
R4720	1-218-941-11	RES-CHIP	100	5%	1/16W	R4883	1-218-965-11	RES-CHIP	10K	5%	1/16W
R4721	1-218-941-11	RES-CHIP	100	5%	1/16W	R4903	1-218-935-11	RES-CHIP	33	5%	1/16W
R4722	1-218-941-11	RES-CHIP	100	5%	1/16W	R4904	1-218-953-11	RES-CHIP	1K	5%	1/16W
R4723	1-218-941-11	RES-CHIP	100	5%	1/16W	R4905	1-218-935-11	RES-CHIP	33	5%	1/16W
R4724	1-218-953-11	RES-CHIP	1K	5%	1/16W	R4908	1-216-864-11	SHORT CHIP			
R4725	1-208-911-11	METAL CHIP	10K	0.50%	1/16W	R4915	1-208-687-11	METAL CHIP	1.5K	0.50%	1/16W
R4726	1-208-683-11	METAL CHIP	1K	0.50%	1/16W	R4916	1-208-683-11	METAL CHIP	1K	0.50%	1/16W
R4727	1-218-941-11	RES-CHIP	100	5%	1/16W	R4918	1-218-935-11	RES-CHIP	33	5%	1/16W
R4728	1-216-804-11	METAL CHIP	39	5%	1/10W	R4919	1-218-935-11	RES-CHIP	33	5%	1/16W
R4730	1-218-990-81	SHORT CHIP				R4921	1-208-687-11	METAL CHIP	1.5K	0.50%	1/16W
R4731	1-208-695-11	METAL CHIP	3.3K	0.50%	1/16W	R4922	1-218-941-11	RES-CHIP	100	5%	1/16W
R4732	1-218-990-81	SHORT CHIP				R4924	1-208-687-11	METAL CHIP	1.5K	0.50%	1/16W
R4734	1-208-885-11	METAL CHIP	820	0.50%	1/16W	R4925	1-218-941-11	RES-CHIP	100	5%	1/16W
R4735	1-218-990-81	SHORT CHIP				R4927	1-208-871-81	METAL CHIP	220	0.50%	1/16W
R4737	1-208-687-11	METAL CHIP	1.5K	0.50%	1/16W	R4929	1-218-965-11	RES-CHIP	10K	5%	1/16W
R4738	1-208-687-11	METAL CHIP	1.5K	0.50%	1/16W	R4933	1-208-687-11	METAL CHIP	1.5K	0.50%	1/16W
R4742	1-218-958-11	RES-CHIP	2.7K	5%	1/16W	R4934	1-208-687-11	METAL CHIP	1.5K	0.50%	1/16W
R4743	1-218-941-11	RES-CHIP	100	5%	1/16W	R4935	1-218-958-11	RES-CHIP	2.7K	5%	1/16W
R4745	1-218-958-11	RES-CHIP	2.7K	5%	1/16W	R4936	1-218-990-81	SHORT CHIP			
R4746	1-218-941-11	RES-CHIP	100	5%	1/16W	R4938	1-218-958-11	RES-CHIP	2.7K	5%	1/16W
R4747	1-218-835-11	METAL CHIP	330	0.50%	1/10W	R4939	1-218-990-81	SHORT CHIP			
R4748	1-216-864-11	SHORT CHIP				R4941	1-218-947-11	RES-CHIP	330	5%	1/16W
R4749	1-218-835-11	METAL CHIP	330	0.50%	1/10W	R4942	1-218-935-11	RES-CHIP	33	5%	1/16W
R4750	1-216-864-11	SHORT CHIP				R4943	1-218-990-81	SHORT CHIP			
R4752	1-218-990-81	SHORT CHIP				R4946	1-216-815-11	METAL CHIP	330	5%	1/10W
R4753	1-218-990-81	SHORT CHIP				R4948	1-216-815-11	METAL CHIP	330	5%	1/10W

FB1

REF. NO.	PART NO.	DESCRIPTION	VALUES			REF. NO.	PART NO.	DESCRIPTION	VALUES		
R4959	1-218-941-11	RES-CHIP	100	5%	1/16W	R5182	1-218-965-11	RES-CHIP	10K	5%	1/16W
R4960	1-208-883-81	METAL CHIP	680	0.50%	1/16W	R5191	1-218-990-81	SHORT CHIP			
R4961	1-218-941-11	RES-CHIP	100	5%	1/16W	R5193	1-218-933-11	RES-CHIP	22	5%	1/16W
R4967	1-218-990-81	SHORT CHIP				R5194	1-218-933-11	RES-CHIP	22	5%	1/16W
R4968	1-218-990-81	SHORT CHIP				R5195	1-218-990-81	SHORT CHIP			
R4969	1-218-941-11	RES-CHIP	100	5%	1/16W	R5196	1-218-990-81	SHORT CHIP			
R4970	1-218-941-11	RES-CHIP	100	5%	1/16W	R5197	1-218-933-11	RES-CHIP	22	5%	1/16W
R4974	1-208-683-11	METAL CHIP	1K	0.50%	1/16W	R5198	1-218-937-11	RES-CHIP	47	5%	1/16W
R4976	1-208-683-11	METAL CHIP	1K	0.50%	1/16W	R5199	1-218-937-11	RES-CHIP	47	5%	1/16W
R4978	1-218-990-81	SHORT CHIP				R5203	1-218-969-11	RES-CHIP	22K	5%	1/16W
R4990	1-208-911-11	METAL CHIP	10K	0.50%	1/16W	R5204	1-218-953-11	RES-CHIP	1K	5%	1/16W
R4991	1-218-941-11	RES-CHIP	100	5%	1/16W	R5205	1-218-990-81	SHORT CHIP			
R4994	1-218-953-11	RES-CHIP	1K	5%	1/16W	R5207	1-218-990-81	SHORT CHIP			
R4996	1-208-677-11	METAL CHIP	560	0.50%	1/16W	R5209	1-218-959-11	RES-CHIP	3.3K	5%	1/16W
R4997	1-218-990-81	SHORT CHIP				R5210	1-218-990-81	SHORT CHIP			
R5002	1-208-885-11	METAL CHIP	820	0.50%	1/16W	R5216	1-218-990-81	SHORT CHIP			
R5005	1-208-703-11	METAL CHIP	6.8K	0.50%	1/16W	R5217	1-218-943-11	RES-CHIP	150	5%	1/16W
R5006	1-218-935-11	RES-CHIP	33	5%	1/16W	R5218	1-218-990-81	SHORT CHIP			
R5012	1-208-695-11	METAL CHIP	3.3K	0.50%	1/16W	R5219	1-218-929-11	RES-CHIP	10	5%	1/16W
R5014	1-218-973-11	RES-CHIP	47K	5%	1/16W	R5220	1-218-929-11	RES-CHIP	10	5%	1/16W
R5015	1-218-953-11	RES-CHIP	1K	5%	1/16W	R5221	1-218-929-11	RES-CHIP	10	5%	1/16W
R5016	1-218-990-81	SHORT CHIP				R5222	1-218-929-11	RES-CHIP	10	5%	1/16W
R5017	1-218-990-81	SHORT CHIP				R5223	1-218-990-81	SHORT CHIP			
R5019	1-218-935-11	RES-CHIP	33	5%	1/16W	R5224	1-218-990-81	SHORT CHIP			
R5020	1-216-864-11	SHORT CHIP				R5225	1-242-967-81	RES-CHIP	1	5%	1/16W
R5021	1-216-864-11	SHORT CHIP				R5230	1-218-990-81	SHORT CHIP			
R5119	1-218-990-81	SHORT CHIP				R5405	1-218-939-11	RES-CHIP	68	5%	1/16W
R5120	1-218-990-81	SHORT CHIP				R5406	1-218-939-11	RES-CHIP	68	5%	1/16W
R5121	1-218-990-81	SHORT CHIP				R5407	1-218-937-11	RES-CHIP	47	5%	1/16W
R5122	1-218-965-11	RES-CHIP	10K	5%	1/16W	R5408	1-218-937-11	RES-CHIP	47	5%	1/16W
R5123	1-218-937-11	RES-CHIP	47	5%	1/16W	R5409	1-218-939-11	RES-CHIP	68	5%	1/16W
R5124	1-218-933-11	RES-CHIP	22	5%	1/16W	R5410	1-218-937-11	RES-CHIP	47	5%	1/16W
R5125	1-218-933-11	RES-CHIP	22	5%	1/16W	R5411	1-218-933-11	RES-CHIP	22	5%	1/16W
R5126	1-218-933-11	RES-CHIP	22	5%	1/16W	R5412	1-218-933-11	RES-CHIP	22	5%	1/16W
R5128	1-218-990-81	SHORT CHIP				R5417	1-218-965-11	RES-CHIP	10K	5%	1/16W
R5129	1-218-933-11	RES-CHIP	22	5%	1/16W	R5421	1-218-933-11	RES-CHIP	22	5%	1/16W
R5130	1-218-990-81	SHORT CHIP				R5427	1-218-965-11	RES-CHIP	10K	5%	1/16W
R5131	1-218-933-11	RES-CHIP	22	5%	1/16W	R5430	1-218-965-11	RES-CHIP	10K	5%	1/16W
R5133	1-218-935-11	RES-CHIP	33	5%	1/16W	R5431	1-218-933-11	RES-CHIP	22	5%	1/16W
R5134	1-218-937-11	RES-CHIP	47	5%	1/16W	R5432	1-218-933-11	RES-CHIP	22	5%	1/16W
R5139	1-218-990-81	SHORT CHIP				R5433	1-218-933-11	RES-CHIP	22	5%	1/16W
R5145	1-218-990-81	SHORT CHIP				R5434	1-208-691-11	METAL CHIP	2.2K	0.50%	1/16W
R5154	1-218-933-11	RES-CHIP	22	5%	1/16W	R5435	1-208-691-11	METAL CHIP	2.2K	0.50%	1/16W
R5155	1-218-933-11	RES-CHIP	22	5%	1/16W	R5436	1-218-961-11	RES-CHIP	4.7K	5%	1/16W
R5169	1-218-990-81	SHORT CHIP				R5437	1-218-933-11	RES-CHIP	22	5%	1/16W

FB1

REF. NO.	PART NO.	DESCRIPTION	VALUES	REF. NO.	PART NO.	DESCRIPTION	VALUES
RB2302	1-234-799-21	RES, CHIP NETWORK	10KX8 (3816)	RB2736	1-234-943-21	RES, NETWORK 22	(1005X4)
RB2303	1-234-799-21	RES, CHIP NETWORK	10KX8 (3816)	RB2737	1-234-381-21	RES, NETWORK 100K	(1005X4)
RB2304	1-234-799-21	RES, CHIP NETWORK	10KX8 (3816)	RB2902	1-234-710-21	RES, CHIP NETWORK	47X8 (3816)
RB2305	1-234-799-21	RES, CHIP NETWORK	10KX8 (3816)	RB2903	1-234-710-21	RES, CHIP NETWORK	47X8 (3816)
RB2307	1-234-945-21	RES, NETWORK 100	(1005X4)	RB2904	1-234-710-21	RES, CHIP NETWORK	47X8 (3816)
RB2308	1-234-945-21	RES, NETWORK 100	(1005X4)	RB2905	1-234-710-21	RES, CHIP NETWORK	47X8 (3816)
RB2309	1-234-945-21	RES, NETWORK 100	(1005X4)	RB2906	1-234-710-21	RES, CHIP NETWORK	47X8 (3816)
RB2310	1-234-945-21	RES, NETWORK 100	(1005X4)	RB2907	1-234-944-21	RES, NETWORK 47	(1005X4)
RB2311	1-234-945-21	RES, NETWORK 100	(1005X4)	RB2908	1-234-377-21	RES, NETWORK 4.7K	(1005X4)
RB2312	1-234-945-21	RES, NETWORK 100	(1005X4)	RB2911	1-234-710-21	RES, CHIP NETWORK	47X8 (3816)
RB2313	1-234-945-21	RES, NETWORK 100	(1005X4)	RB2912	1-234-710-21	RES, CHIP NETWORK	47X8 (3816)
RB2314	1-234-945-21	RES, NETWORK 100	(1005X4)	RB2913	1-234-710-21	RES, CHIP NETWORK	47X8 (3816)
RB2315	1-234-378-11	RES, NETWORK 10K	(1005X4)	RB2914	1-234-710-21	RES, CHIP NETWORK	47X8 (3816)
RB2316	1-234-378-11	RES, NETWORK 10K	(1005X4)	RB2915	1-234-710-21	RES, CHIP NETWORK	47X8 (3816)
RB2317	1-234-378-11	RES, NETWORK 10K	(1005X4)	RB2916	1-234-799-21	RES, CHIP NETWORK	10KX8 (3816)
RB2318	1-234-378-11	RES, NETWORK 10K	(1005X4)	RB2917	1-234-943-21	RES, NETWORK 22	(1005X4)
RB2500	1-234-943-21	RES, NETWORK 22	(1005X4)	RB2918	1-234-880-21	RES, CHIP NETWORK	4.7KX8(3816)
RB2501	1-234-943-21	RES, NETWORK 22	(1005X4)	RB2919	1-234-799-21	RES, CHIP NETWORK	10KX8 (3816)
RB2502	1-234-943-21	RES, NETWORK 22	(1005X4)	RB2920	1-234-799-21	RES, CHIP NETWORK	10KX8 (3816)
RB2503	1-234-943-21	RES, NETWORK 22	(1005X4)	RB2922	1-234-944-21	RES, NETWORK 47	(1005X4)
RB2504	1-234-943-21	RES, NETWORK 22	(1005X4)	RB2923	1-234-943-21	RES, NETWORK 22	(1005X4)
RB2700	1-234-799-21	RES, CHIP NETWORK	10KX8 (3816)	RB2924	1-234-378-11	RES, NETWORK 10K	(1005X4)
RB2701	1-234-378-11	RES, NETWORK 10K	(1005X4)	RB3300	1-234-378-11	RES, NETWORK 10K	(1005X4)
RB2702	1-234-799-21	RES, CHIP NETWORK	10KX8 (3816)	RB3301	1-234-378-11	RES, NETWORK 10K	(1005X4)
RB2703	1-234-799-21	RES, CHIP NETWORK	10KX8 (3816)	RB3302	1-239-698-11	RESISTOR, NETWORK 10K	
RB2705	1-234-381-21	RES, NETWORK 100K	(1005X4)	RB4300	1-234-945-21	RES, NETWORK 100	(1005X4)
RB2706	1-234-883-21	RES, CHIP NETWORK	100KX8(3816)	RB4301	1-234-945-21	RES, NETWORK 100	(1005X4)
RB2707	1-234-883-21	RES, CHIP NETWORK	100KX8(3816)	RB4302	1-234-795-21	RES, NETWORK 0X4	(2010)
RB2708	1-234-710-21	RES, CHIP NETWORK	47X8 (3816)	RB4303	1-234-795-21	RES, NETWORK 0X4	(2010)
RB2709	1-234-710-21	RES, CHIP NETWORK	47X8 (3816)	RB4304	1-234-795-21	RES, NETWORK 0X4	(2010)
RB2712	1-245-943-21	RES, CHIP NETWORK	68X8 (3816)	RB4314	1-234-795-21	RES, NETWORK 0X4	(2010)
RB2713	1-245-943-21	RES, CHIP NETWORK	68X8 (3816)	RB4318	1-234-795-21	RES, NETWORK 0X4	(2010)
RB2714	1-245-943-21	RES, CHIP NETWORK	68X8 (3816)	RB4503	1-234-892-21	RES, CHIP NETWORK	33X8 (3816)
RB2715	1-245-943-21	RES, CHIP NETWORK	68X8 (3816)	RB4505	1-234-892-21	RES, CHIP NETWORK	33X8 (3816)
RB2717	1-234-944-21	RES, NETWORK 47	(1005X4)	RB4507	1-234-892-21	RES, CHIP NETWORK	33X8 (3816)
RB2718	1-234-799-21	RES, CHIP NETWORK	10KX8 (3816)	RB4512	1-234-892-21	RES, CHIP NETWORK	33X8 (3816)
RB2720	1-234-944-21	RES, NETWORK 47	(1005X4)	RB4514	1-234-892-21	RES, CHIP NETWORK	33X8 (3816)
RB2723	1-234-381-21	RES, NETWORK 100K	(1005X4)	RB4515	1-234-380-21	RES, NETWORK 47K	(1005X4)
RB2724	1-239-710-11	RESISTOR, NETWORK 100K		RB4516	1-234-380-21	RES, NETWORK 47K	(1005X4)
RB2727	1-239-670-81	RESISTOR, NETWORK 47		RB4517	1-234-795-21	RES, NETWORK 0X4	(2010)
RB2728	1-234-944-21	RES, NETWORK 47	(1005X4)	RB4518	1-234-377-21	RES, NETWORK 4.7K	(1005X4)
RB2729	1-234-702-11	RES, NETWORK 68	(1005X4)	RB4604	1-234-944-21	RES, NETWORK 47	(1005X4)
RB2730	1-239-670-81	RESISTOR, NETWORK 47		RB4605	1-234-944-21	RES, NETWORK 47	(1005X4)
RB2732	1-239-670-81	RESISTOR, NETWORK 47		RB4608	1-234-944-21	RES, NETWORK 47	(1005X4)
RB2735	1-234-381-21	RES, NETWORK 100K	(1005X4)	RB4609	1-234-795-21	RES, NETWORK 0X4	(2010)



REF. NO.	PART NO.	DESCRIPTION	VALUES	REF. NO.	PART NO.	DESCRIPTION	VALUES
RB4610	1-234-944-21	RES, NETWORK 47	(1005X4)	RB5420	1-234-944-21	RES, NETWORK 47	(1005X4)
RB4611	1-234-710-21	RES, CHIP NETWORK	47X8 (3816)	RB5421	1-234-710-21	RES, CHIP NETWORK	47X8 (3816)
RB4612	1-234-710-21	RES, CHIP NETWORK	47X8 (3816)	RB5427	1-234-943-21	RES, NETWORK 22	(1005X4)
RB4613	1-234-710-21	RES, CHIP NETWORK	47X8 (3816)	RB5432	1-234-378-11	RES, NETWORK 10K	(1005X4)
RB4614	1-246-204-21	RES, CHIP NETWORK	600X8 (3816)	RB5433	1-234-378-11	RES, NETWORK 10K	(1005X4)
RB4615	1-246-204-21	RES, CHIP NETWORK	600X8 (3816)	RB5434	1-245-943-21	RES, CHIP NETWORK	68X8 (3816)
RB4616	1-246-204-21	RES, CHIP NETWORK	600X8 (3816)	RB5435	1-245-943-21	RES, CHIP NETWORK	68X8 (3816)
RB4617	1-234-944-21	RES, NETWORK 47	(1005X4)	RB5436	1-234-711-21	RES, CHIP NETWORK	22X8 (3816)
RB4618	1-234-378-11	RES, NETWORK 10K	(1005X4)	RB5437	1-234-711-21	RES, CHIP NETWORK	22X8 (3816)
RB4619	1-234-944-21	RES, NETWORK 47	(1005X4)	RB5438	1-234-943-21	RES, NETWORK 22	(1005X4)
RB4700	1-234-711-21	RES, CHIP NETWORK	22X8 (3816)	RB5439	1-234-943-21	RES, NETWORK 22	(1005X4)
RB4701	1-234-711-21	RES, CHIP NETWORK	22X8 (3816)	RB5441	1-234-943-21	RES, NETWORK 22	(1005X4)
RB4709	1-234-892-21	RES, CHIP NETWORK	33X8 (3816)	RB5443	1-234-943-21	RES, NETWORK 22	(1005X4)
RB4710	1-234-944-21	RES, NETWORK 47	(1005X4)	RB5444	1-234-887-21	RES, CHIP NETWORK	0X8 (3816)
RB4711	1-234-943-21	RES, NETWORK 22	(1005X4)	RB5445	1-234-799-21	RES, CHIP NETWORK	10KX8 (3816)
RB4712	1-242-963-21	RES, NETWORK 33	(1005X4)	RB5446	1-245-943-21	RES, CHIP NETWORK	68X8 (3816)
RB4816	1-234-799-21	RES, CHIP NETWORK	10KX8 (3816)	RB5447	1-234-785-21	RES, CHIP NETWORK	100X8(3816)
RB4817	1-234-799-21	RES, CHIP NETWORK	10KX8 (3816)	RB5448	1-234-785-21	RES, CHIP NETWORK	100X8(3816)
RB5109	1-234-795-21	RES, NETWORK 0X4	(2010)	RB5449	1-234-710-21	RES, CHIP NETWORK	47X8 (3816)
RB5111	1-234-944-21	RES, NETWORK 47	(1005X4)	RB5450	1-234-710-21	RES, CHIP NETWORK	47X8 (3816)
RB5115	1-234-944-21	RES, NETWORK 47	(1005X4)	RB5451	1-234-785-21	RES, CHIP NETWORK	100X8(3816)
RB5118	1-234-887-21	RES, CHIP NETWORK	0X8 (3816)	RB5452	1-234-785-21	RES, CHIP NETWORK	100X8(3816)
RB5119	1-234-887-21	RES, CHIP NETWORK	0X8 (3816)	RB5453	1-234-711-21	RES, CHIP NETWORK	22X8 (3816)
RB5122	1-245-943-21	RES, CHIP NETWORK	68X8 (3816)	RB5454	1-234-711-21	RES, CHIP NETWORK	22X8 (3816)
RB5123	1-245-943-21	RES, CHIP NETWORK	68X8 (3816)	RB5455	1-234-892-21	RES, CHIP NETWORK	33X8 (3816)
RB5126	1-234-887-21	RES, CHIP NETWORK	0X8 (3816)	RB5456	1-234-892-21	RES, CHIP NETWORK	33X8 (3816)
RB5127	1-234-799-21	RES, CHIP NETWORK	10KX8 (3816)	RB5502	1-245-943-21	RES, CHIP NETWORK	68X8 (3816)
RB5128	1-234-378-11	RES, NETWORK 10K	(1005X4)	RB5503	1-234-943-21	RES, NETWORK 22	(1005X4)
RB5129	1-234-795-21	RES, NETWORK 0X4	(2010)	RB5504	1-234-943-21	RES, NETWORK 22	(1005X4)
RB5141	1-234-795-21	RES, NETWORK 0X4	(2010)	RB5505	1-234-943-21	RES, NETWORK 22	(1005X4)
RB5142	1-234-799-21	RES, CHIP NETWORK	10KX8 (3816)	RB5600	1-234-943-21	RES, NETWORK 22	(1005X4)
RB5143	1-234-799-21	RES, CHIP NETWORK	10KX8 (3816)	VARISTOR			
RB5144	1-234-378-11	RES, NETWORK 10K	(1005X4)	VD4300	1-805-774-21	VARISTOR, CHIP	
RB5145	1-234-378-11	RES, NETWORK 10K	(1005X4)	VD4301	1-805-774-21	VARISTOR, CHIP	
RB5200	1-234-369-21	RES, NETWORK 10	(1005X4)	VD4600	1-804-988-21	VARISTOR, CHIP	(1608)
RB5201	1-234-369-21	RES, NETWORK 10	(1005X4)	VD4601	1-804-988-21	VARISTOR, CHIP	(1608)
RB5202	1-234-369-21	RES, NETWORK 10	(1005X4)	VD4602	1-804-988-21	VARISTOR, CHIP	(1608)
RB5203	1-234-369-21	RES, NETWORK 10	(1005X4)	VD4603	1-804-988-21	VARISTOR, CHIP	(1608)
RB5204	1-234-369-21	RES, NETWORK 10	(1005X4)	VD4604	1-804-988-21	VARISTOR, CHIP	(1608)
RB5400	1-234-702-11	RES, NETWORK 68	(1005X4)	CRYSTAL			
RB5409	1-234-944-21	RES, NETWORK 47	(1005X4)	X2100	1-781-646-21	VIBRATOR, CERAMIC	
RB5416	1-234-944-21	RES, NETWORK 47	(1005X4)	X2101	1-813-462-11	VIBRATOR, CRYSTAL 24.576MHZ	
RB5417	1-234-378-11	RES, NETWORK 10K	(1005X4)	X2900	1-813-990-11	QUARTS CRYSTAL 30MHZ	
RB5418	1-234-943-21	RES, NETWORK 22	(1005X4)				
RB5419	1-234-378-11	RES, NETWORK 10K	(1005X4)				

NOTE: The components identified by shading and \triangle mark are critical for safety. Replace only with part number specified.

NOTE: The components identified by a red outline and a \mathcal{L} mark contain confidential information. Specific instructions must be adhered to whenever these components are repaired and/or replaced.
See Appendix A: Encryption Key Components in the back of this manual.

FB1 **FB3**

REF. NO.	PART NO.	DESCRIPTION	VALUES	REF. NO.	PART NO.	DESCRIPTION	VALUES
X4900	1-813-985-11	QUARTZ CRYSTAL OSCILLATOR		C2129	1-164-874-11	CERAMIC CHIP	100pF 5% 50V
X4901	1-814-023-11	QUARTZ CRYSTAL UNIT		C2130	1-164-874-11	CERAMIC CHIP	100pF 5% 50V
X4902	1-813-984-11	OSCILLATOR, CRYSTAL		C2131	1-100-916-11	CERAMIC CHIP	0.1 μ F 10% 16V
				C2132	1-100-916-11	CERAMIC CHIP	0.1 μ F 10% 16V
				C2133	1-100-916-11	CERAMIC CHIP	0.1 μ F 10% 16V
				C2300	1-112-777-11	CERAMIC CHIP	0.01 μ F 10% 25V
				C2301	1-112-777-11	CERAMIC CHIP	0.01 μ F 10% 25V
				C2305	1-100-916-11	CERAMIC CHIP	0.1 μ F 10% 16V
				C2306	1-112-777-11	CERAMIC CHIP	0.01 μ F 10% 25V
				C2309	1-112-777-11	CERAMIC CHIP	0.01 μ F 10% 25V
				C2310	1-112-777-11	CERAMIC CHIP	0.01 μ F 10% 25V
				C2313	1-112-777-11	CERAMIC CHIP	0.01 μ F 10% 25V
				C2315	1-112-777-11	CERAMIC CHIP	0.01 μ F 10% 25V
				C2316	1-112-777-11	CERAMIC CHIP	0.01 μ F 10% 25V
				C2317	1-112-777-11	CERAMIC CHIP	0.01 μ F 10% 25V
				C2318	1-112-777-11	CERAMIC CHIP	0.01 μ F 10% 25V
				C2319	1-112-777-11	CERAMIC CHIP	0.01 μ F 10% 25V
				C2320	1-112-777-11	CERAMIC CHIP	0.01 μ F 10% 25V
				C2321	1-112-777-11	CERAMIC CHIP	0.01 μ F 10% 25V
				C2322	1-100-916-11	CERAMIC CHIP	0.1 μ F 10% 16V
				C2323	1-112-777-11	CERAMIC CHIP	0.01 μ F 10% 25V
				C2324	1-100-916-11	CERAMIC CHIP	0.1 μ F 10% 16V
				C2325	1-112-777-11	CERAMIC CHIP	0.01 μ F 10% 25V
				C2326	1-100-916-11	CERAMIC CHIP	0.1 μ F 10% 16V
				C2327	1-112-777-11	CERAMIC CHIP	0.01 μ F 10% 25V
				C2328	1-100-916-11	CERAMIC CHIP	0.1 μ F 10% 16V
				C2329	1-112-777-11	CERAMIC CHIP	0.01 μ F 10% 25V
				C2330	1-100-916-11	CERAMIC CHIP	0.1 μ F 10% 16V
				C2331	1-112-777-11	CERAMIC CHIP	0.01 μ F 10% 25V
				C2332	1-100-916-11	CERAMIC CHIP	0.1 μ F 10% 16V
				C2333	1-112-777-11	CERAMIC CHIP	0.01 μ F 10% 25V
				C2334	1-100-916-11	CERAMIC CHIP	0.1 μ F 10% 16V
				C2335	1-112-777-11	CERAMIC CHIP	0.01 μ F 10% 25V
				C2336	1-100-916-11	CERAMIC CHIP	0.1 μ F 10% 16V
				C2337	1-112-777-11	CERAMIC CHIP	0.01 μ F 10% 25V
				C2338	1-100-916-11	CERAMIC CHIP	0.1 μ F 10% 16V
				C2339	1-112-777-11	CERAMIC CHIP	0.01 μ F 10% 25V
				C2340	1-100-916-11	CERAMIC CHIP	0.1 μ F 10% 16V
				C2341	1-112-777-11	CERAMIC CHIP	0.01 μ F 10% 25V
				C2342	1-100-916-11	CERAMIC CHIP	0.1 μ F 10% 16V
				C2343	1-112-777-11	CERAMIC CHIP	0.01 μ F 10% 25V
				C2344	1-100-916-11	CERAMIC CHIP	0.1 μ F 10% 16V
				C2345	1-112-777-11	CERAMIC CHIP	0.01 μ F 10% 25V
				C2346	1-100-916-11	CERAMIC CHIP	0.1 μ F 10% 16V
				C2347	1-112-777-11	CERAMIC CHIP	0.01 μ F 10% 25V

FB3

\mathcal{L} **A-1362-639-A FB3 BOARD, COMPLETE (KDL-40VL130 ONLY)**

CONTACT TERMINAL

A2101	1-694-974-21	CONTACT TERMINAL
A2102	1-694-974-21	CONTACT TERMINAL
A2103	1-694-974-21	CONTACT TERMINAL
A2104	1-694-974-21	CONTACT TERMINAL
A4900	1-694-974-21	CONTACT TERMINAL
A4902	1-694-974-21	CONTACT TERMINAL
A4903	1-694-974-21	CONTACT TERMINAL
A4905	1-694-974-21	CONTACT TERMINAL

CAPACITOR

C2100	1-100-905-11	CERAMIC CHIP	0.001 μ F	10%	50V
C2101	1-100-905-11	CERAMIC CHIP	0.001 μ F	10%	50V
C2102	1-100-905-11	CERAMIC CHIP	0.001 μ F	10%	50V
C2103	1-164-874-11	CERAMIC CHIP	100pF	5%	50V
C2104	1-100-905-11	CERAMIC CHIP	0.001 μ F	10%	50V
C2105	1-100-905-11	CERAMIC CHIP	0.001 μ F	10%	50V
C2106	1-164-874-11	CERAMIC CHIP	100pF	5%	50V
C2107	1-164-874-11	CERAMIC CHIP	100pF	5%	50V
C2108	1-164-874-11	CERAMIC CHIP	100pF	5%	50V
C2109	1-112-777-11	CERAMIC CHIP	0.01 μ F	10%	25V
C2111	1-112-777-11	CERAMIC CHIP	0.01 μ F	10%	25V
C2113	1-112-777-11	CERAMIC CHIP	0.01 μ F	10%	25V
C2114	1-112-777-11	CERAMIC CHIP	0.01 μ F	10%	25V
C2115	1-112-777-11	CERAMIC CHIP	0.01 μ F	10%	25V
C2116	1-164-874-11	CERAMIC CHIP	100pF	5%	50V
C2117	1-164-874-11	CERAMIC CHIP	100pF	5%	50V
C2120	1-164-874-11	CERAMIC CHIP	100pF	5%	50V
C2121	1-112-777-11	CERAMIC CHIP	0.01 μ F	10%	25V
C2122	1-164-849-11	CERAMIC CHIP	9pF	0.50pF	50V
C2123	1-164-850-11	CERAMIC CHIP	10pF	0.50pF	50V
C2124	1-112-777-11	CERAMIC CHIP	0.01 μ F	10%	25V
C2125	1-164-874-11	CERAMIC CHIP	100pF	5%	50V
C2126	1-164-874-11	CERAMIC CHIP	100pF	5%	50V
C2127	1-112-777-11	CERAMIC CHIP	0.01 μ F	10%	25V
C2128	1-164-874-11	CERAMIC CHIP	100pF	5%	50V



REF. NO.	PART NO.	DESCRIPTION	VALUES			REF. NO.	PART NO.	DESCRIPTION	VALUES		
C2704	1-100-916-11	CERAMIC CHIP	0.1μF	10%	16V	C3301	1-162-963-11	CERAMIC CHIP	680pF	10%	50V
C2705	1-100-916-11	CERAMIC CHIP	0.1μF	10%	16V	C3302	1-100-905-11	CERAMIC CHIP	0.001μF	10%	50V
C2706	1-100-916-11	CERAMIC CHIP	0.1μF	10%	16V	C3303	1-100-911-11	CERAMIC CHIP	4.7μF	10%	25V
C2707	1-100-916-11	CERAMIC CHIP	0.1μF	10%	16V	C3306	1-100-916-11	CERAMIC CHIP	0.1μF	10%	16V
C2710	1-100-916-11	CERAMIC CHIP	0.1μF	10%	16V	C3307	1-112-786-11	ELECT CHIP	330μF	20%	4V
C2711	1-100-916-11	CERAMIC CHIP	0.1μF	10%	16V	C3310	1-100-909-11	CERAMIC CHIP	10μF	10%	6.3V
C2712	1-100-916-11	CERAMIC CHIP	0.1μF	10%	16V	C3311	1-100-769-21	ELECT CHIP	470μF	20%	16V
C2713	1-100-916-11	CERAMIC CHIP	0.1μF	10%	16V	C3312	1-114-343-11	ELECT CHIP	100μF	20%	6.3V
C2714	1-100-916-11	CERAMIC CHIP	0.1μF	10%	16V	C3317	1-100-909-11	CERAMIC CHIP	10μF	10%	6.3V
C2715	1-100-916-11	CERAMIC CHIP	0.1μF	10%	16V	C3319	1-100-911-11	CERAMIC CHIP	4.7μF	10%	25V
C2716	1-112-046-11	CERAMIC CHIP	4.7μF	10%	6.3V	C3321	1-114-331-11	CERAMIC CHIP	4.7μF	10%	10V
C2719	1-100-916-11	CERAMIC CHIP	0.1μF	10%	16V	C3323	1-100-916-11	CERAMIC CHIP	0.1μF	10%	16V
C2720	1-164-874-11	CERAMIC CHIP	100pF	5%	50V	C3327	1-112-064-11	CERAMIC CHIP	2.2μF	10%	10V
C2721	1-114-130-11	CERAMIC CHIP	1μF		6.3V	C3330	1-114-130-11	CERAMIC CHIP	1μF		6.3V
C2724	1-112-046-11	CERAMIC CHIP	4.7μF	10%	6.3V	C3332	1-100-916-11	CERAMIC CHIP	0.1μF	10%	16V
C2731	1-112-777-11	CERAMIC CHIP	0.01μF	10%	25V	C3334	1-100-911-11	CERAMIC CHIP	4.7μF	10%	25V
C2732	1-112-781-11	CERAMIC CHIP	1μF	10%	10V	C3337	1-112-786-11	ELECT CHIP	330μF	20%	4V
C2739	1-114-130-11	CERAMIC CHIP	1μF		6.3V	C3338	1-112-781-11	CERAMIC CHIP	1μF	10%	10V
C2900	1-112-777-11	CERAMIC CHIP	0.01μF	10%	25V	C3339	1-100-916-11	CERAMIC CHIP	0.1μF	10%	16V
C2902	1-112-777-11	CERAMIC CHIP	0.01μF	10%	25V	C3343	1-100-912-11	CERAMIC CHIP	1μF	10%	25V
C2904	1-100-916-11	CERAMIC CHIP	0.1μF	10%	16V	C3345	1-100-909-11	CERAMIC CHIP	10μF	10%	6.3V
C2907	1-112-777-11	CERAMIC CHIP	0.01μF	10%	25V	C3347	1-100-912-11	CERAMIC CHIP	1μF	10%	25V
C2908	1-112-777-11	CERAMIC CHIP	0.01μF	10%	25V	C3348	1-114-331-11	CERAMIC CHIP	4.7μF	10%	10V
C2909	1-100-916-11	CERAMIC CHIP	0.1μF	10%	16V	C3349	1-114-331-11	CERAMIC CHIP	4.7μF	10%	10V
C2910	1-164-852-11	CERAMIC CHIP	12pF	5%	50V	C3350	1-112-064-11	CERAMIC CHIP	2.2μF	10%	10V
C2912	1-112-777-11	CERAMIC CHIP	0.01μF	10%	25V	C4000	1-112-777-11	CERAMIC CHIP	0.01μF	10%	25V
C2913	1-100-916-11	CERAMIC CHIP	0.1μF	10%	16V	C4001	1-112-777-11	CERAMIC CHIP	0.01μF	10%	25V
C2915	1-112-777-11	CERAMIC CHIP	0.01μF	10%	25V	C4002	1-100-909-11	CERAMIC CHIP	10μF	10%	6.3V
C2916	1-164-852-11	CERAMIC CHIP	12pF	5%	50V	C4003	1-112-066-11	CERAMIC CHIP	10μF	10%	10V
C2918	1-100-909-11	CERAMIC CHIP	10μF	10%	6.3V	C4005	1-100-916-11	CERAMIC CHIP	0.1μF	10%	16V
C2919	1-100-916-11	CERAMIC CHIP	0.1μF	10%	16V	C4006	1-100-916-11	CERAMIC CHIP	0.1μF	10%	16V
C2922	1-112-777-11	CERAMIC CHIP	0.01μF	10%	25V	C4011	1-112-777-11	CERAMIC CHIP	0.01μF	10%	25V
C2923	1-112-777-11	CERAMIC CHIP	0.01μF	10%	25V	C4013	1-112-066-11	CERAMIC CHIP	10μF	10%	10V
C2924	1-112-777-11	CERAMIC CHIP	0.01μF	10%	25V	C4100	1-100-911-11	CERAMIC CHIP	4.7μF	10%	25V
C2925	1-112-777-11	CERAMIC CHIP	0.01μF	10%	25V	C4101	1-100-911-11	CERAMIC CHIP	4.7μF	10%	25V
C2927	1-112-777-11	CERAMIC CHIP	0.01μF	10%	25V	C4103	1-164-868-11	CERAMIC CHIP	56pF	5%	50V
C2929	1-112-777-11	CERAMIC CHIP	0.01μF	10%	25V	C4105	1-100-911-11	CERAMIC CHIP	4.7μF	10%	25V
C2931	1-112-777-11	CERAMIC CHIP	0.01μF	10%	25V	C4108	1-100-911-11	CERAMIC CHIP	4.7μF	10%	25V
C2933	1-112-777-11	CERAMIC CHIP	0.01μF	10%	25V	C4110	1-112-775-11	CERAMIC CHIP	0.0022μF	10%	50V
C2935	1-112-777-11	CERAMIC CHIP	0.01μF	10%	25V	C4112	1-164-245-11	CERAMIC CHIP	0.015μF	10%	25V
C2938	1-112-777-11	CERAMIC CHIP	0.01μF	10%	25V	C4114	1-100-912-11	CERAMIC CHIP	1μF	10%	25V
C2939	1-112-777-11	CERAMIC CHIP	0.01μF	10%	25V	C4116	1-100-912-11	CERAMIC CHIP	1μF	10%	25V
C2940	1-112-777-11	CERAMIC CHIP	0.01μF	10%	25V	C4118	1-100-912-11	CERAMIC CHIP	1μF	10%	25V
C2941	1-112-777-11	CERAMIC CHIP	0.01μF	10%	25V	C4120	1-100-905-11	CERAMIC CHIP	0.001μF	10%	50V
C3300	1-100-916-11	CERAMIC CHIP	0.1μF	10%	16V	C4121	1-100-905-11	CERAMIC CHIP	0.001μF	10%	50V



REF. NO.	PART NO.	DESCRIPTION	VALUES			REF. NO.	PART NO.	DESCRIPTION	VALUES		
C4122	1-100-905-11	CERAMIC CHIP	0.001μF	10%	50V	C4509	1-100-916-11	CERAMIC CHIP	0.1μF	10%	16V
C4123	1-100-905-11	CERAMIC CHIP	0.001μF	10%	50V	C4510	1-100-916-11	CERAMIC CHIP	0.1μF	10%	16V
C4128	1-164-245-11	CERAMIC CHIP	0.015μF	10%	25V	C4511	1-100-916-11	CERAMIC CHIP	0.1μF	10%	16V
C4129	1-112-066-11	CERAMIC CHIP	10μF	10%	10V	C4512	1-100-916-11	CERAMIC CHIP	0.1μF	10%	16V
C4130	1-112-775-11	CERAMIC CHIP	0.0022μF	10%	50V	C4513	1-100-916-11	CERAMIC CHIP	0.1μF	10%	16V
C4131	1-112-066-11	CERAMIC CHIP	10μF	10%	10V	C4514	1-100-916-11	CERAMIC CHIP	0.1μF	10%	16V
C4136	1-164-868-11	CERAMIC CHIP	56pF	5%	50V	C4515	1-100-916-11	CERAMIC CHIP	0.1μF	10%	16V
C4138	1-112-774-11	CERAMIC CHIP	470pF	10%	50V	C4516	1-100-916-11	CERAMIC CHIP	0.1μF	10%	16V
C4139	1-112-774-11	CERAMIC CHIP	470pF	10%	50V	C4517	1-100-916-11	CERAMIC CHIP	0.1μF	10%	16V
C4142	1-112-774-11	CERAMIC CHIP	470pF	10%	50V	C4518	1-100-916-11	CERAMIC CHIP	0.1μF	10%	16V
C4143	1-112-774-11	CERAMIC CHIP	470pF	10%	50V	C4519	1-100-916-11	CERAMIC CHIP	0.1μF	10%	16V
C4146	1-100-909-11	CERAMIC CHIP	10μF	10%	6.3V	C4520	1-100-916-11	CERAMIC CHIP	0.1μF	10%	16V
C4147	1-100-909-11	CERAMIC CHIP	10μF	10%	6.3V	C4521	1-100-905-11	CERAMIC CHIP	0.001μF	10%	50V
C4149	1-100-911-11	CERAMIC CHIP	4.7μF	10%	25V	C4522	1-100-916-11	CERAMIC CHIP	0.1μF	10%	16V
C4150	1-100-916-11	CERAMIC CHIP	0.1μF	10%	16V	C4523	1-100-916-11	CERAMIC CHIP	0.1μF	10%	16V
C4151	1-100-916-11	CERAMIC CHIP	0.1μF	10%	16V	C4524	1-100-916-11	CERAMIC CHIP	0.1μF	10%	16V
C4153	1-164-868-11	CERAMIC CHIP	56pF	5%	50V	C4525	1-100-916-11	CERAMIC CHIP	0.1μF	10%	16V
C4154	1-100-911-11	CERAMIC CHIP	4.7μF	10%	25V	C4526	1-100-916-11	CERAMIC CHIP	0.1μF	10%	16V
C4155	1-100-909-11	CERAMIC CHIP	10μF	10%	6.3V	C4527	1-100-916-11	CERAMIC CHIP	0.1μF	10%	16V
C4157	1-100-909-11	CERAMIC CHIP	10μF	10%	6.3V	C4528	1-100-916-11	CERAMIC CHIP	0.1μF	10%	16V
C4158	1-112-775-11	CERAMIC CHIP	0.0022μF	10%	50V	C4529	1-100-916-11	CERAMIC CHIP	0.1μF	10%	16V
C4159	1-164-245-11	CERAMIC CHIP	0.015μF	10%	25V	C4530	1-100-916-11	CERAMIC CHIP	0.1μF	10%	16V
C4160	1-100-912-11	CERAMIC CHIP	1μF	10%	25V	C4531	1-100-916-11	CERAMIC CHIP	0.1μF	10%	16V
C4162	1-100-912-11	CERAMIC CHIP	1μF	10%	25V	C4532	1-100-916-11	CERAMIC CHIP	0.1μF	10%	16V
C4165	1-100-912-11	CERAMIC CHIP	1μF	10%	25V	C4533	1-100-916-11	CERAMIC CHIP	0.1μF	10%	16V
C4166	1-100-905-11	CERAMIC CHIP	0.001μF	10%	50V	C4534	1-100-916-11	CERAMIC CHIP	0.1μF	10%	16V
C4167	1-100-905-11	CERAMIC CHIP	0.001μF	10%	50V	C4535	1-100-916-11	CERAMIC CHIP	0.1μF	10%	16V
C4171	1-112-066-11	CERAMIC CHIP	10μF	10%	10V	C4536	1-100-916-11	CERAMIC CHIP	0.1μF	10%	16V
C4175	1-112-774-11	CERAMIC CHIP	470pF	10%	50V	C4537	1-100-909-11	CERAMIC CHIP	10μF	10%	6.3V
C4177	1-112-774-11	CERAMIC CHIP	470pF	10%	50V	C4538	1-100-909-11	CERAMIC CHIP	10μF	10%	6.3V
C4195	1-112-777-11	CERAMIC CHIP	0.01μF	10%	25V	C4539	1-100-909-11	CERAMIC CHIP	10μF	10%	6.3V
C4196	1-112-066-11	CERAMIC CHIP	10μF	10%	10V	C4540	1-100-909-11	CERAMIC CHIP	10μF	10%	6.3V
C4197	1-112-066-11	CERAMIC CHIP	10μF	10%	10V	C4541	1-100-916-11	CERAMIC CHIP	0.1μF	10%	16V
C4303	1-100-916-11	CERAMIC CHIP	0.1μF	10%	16V	C4542	1-100-916-11	CERAMIC CHIP	0.1μF	10%	16V
C4304	1-100-916-11	CERAMIC CHIP	0.1μF	10%	16V	C4543	1-100-916-11	CERAMIC CHIP	0.1μF	10%	16V
C4306	1-112-777-11	CERAMIC CHIP	0.01μF	10%	25V	C4544	1-100-916-11	CERAMIC CHIP	0.1μF	10%	16V
C4500	1-100-909-11	CERAMIC CHIP	10μF	10%	6.3V	C4545	1-100-916-11	CERAMIC CHIP	0.1μF	10%	16V
C4501	1-100-909-11	CERAMIC CHIP	10μF	10%	6.3V	C4546	1-100-916-11	CERAMIC CHIP	0.1μF	10%	16V
C4502	1-100-909-11	CERAMIC CHIP	10μF	10%	6.3V	C4547	1-100-916-11	CERAMIC CHIP	0.1μF	10%	16V
C4503	1-100-909-11	CERAMIC CHIP	10μF	10%	6.3V	C4548	1-100-916-11	CERAMIC CHIP	0.1μF	10%	16V
C4504	1-100-909-11	CERAMIC CHIP	10μF	10%	6.3V	C4549	1-100-916-11	CERAMIC CHIP	0.1μF	10%	16V
C4505	1-100-909-11	CERAMIC CHIP	10μF	10%	6.3V	C4550	1-100-916-11	CERAMIC CHIP	0.1μF	10%	16V
C4506	1-100-916-11	CERAMIC CHIP	0.1μF	10%	16V	C4551	1-100-916-11	CERAMIC CHIP	0.1μF	10%	16V
C4507	1-100-916-11	CERAMIC CHIP	0.1μF	10%	16V	C4552	1-100-916-11	CERAMIC CHIP	0.1μF	10%	16V
C4508	1-100-916-11	CERAMIC CHIP	0.1μF	10%	16V	C4553	1-100-916-11	CERAMIC CHIP	0.1μF	10%	16V



REF. NO.	PART NO.	DESCRIPTION	VALUES			REF. NO.	PART NO.	DESCRIPTION	VALUES		
C4554	1-100-916-11	CERAMIC CHIP	0.1μF	10%	16V	C4642	1-112-777-11	CERAMIC CHIP	0.01μF	10%	25V
C4555	1-100-916-11	CERAMIC CHIP	0.1μF	10%	16V	C4643	1-112-777-11	CERAMIC CHIP	0.01μF	10%	25V
C4556	1-100-916-11	CERAMIC CHIP	0.1μF	10%	16V	C4644	1-100-916-11	CERAMIC CHIP	0.1μF	10%	16V
C4559	1-112-777-11	CERAMIC CHIP	0.01μF	10%	25V	C4645	1-100-909-11	CERAMIC CHIP	10μF	10%	6.3V
C4560	1-112-777-11	CERAMIC CHIP	0.01μF	10%	25V	C4646	1-112-779-11	CERAMIC CHIP	0.047μF	10%	25V
C4561	1-112-777-11	CERAMIC CHIP	0.01μF	10%	25V	C4647	1-100-916-11	CERAMIC CHIP	0.1μF	10%	16V
C4562	1-112-777-11	CERAMIC CHIP	0.01μF	10%	25V	C4649	1-100-909-11	CERAMIC CHIP	10μF	10%	6.3V
C4563	1-112-777-11	CERAMIC CHIP	0.01μF	10%	25V	C4650	1-100-909-11	CERAMIC CHIP	10μF	10%	6.3V
C4564	1-112-777-11	CERAMIC CHIP	0.01μF	10%	25V	C4900	1-100-916-11	CERAMIC CHIP	0.1μF	10%	16V
C4565	1-112-777-11	CERAMIC CHIP	0.01μF	10%	25V	C4901	1-100-916-11	CERAMIC CHIP	0.1μF	10%	16V
C4566	1-112-777-11	CERAMIC CHIP	0.01μF	10%	25V	C4902	1-100-916-11	CERAMIC CHIP	0.1μF	10%	16V
C4567	1-100-909-11	CERAMIC CHIP	10μF	10%	6.3V	C4903	1-112-777-11	CERAMIC CHIP	0.01μF	10%	25V
C4569	1-100-916-11	CERAMIC CHIP	0.1μF	10%	16V	C4904	1-135-366-11	ELECT CHIP	100μF	20%	16V
C4576	1-100-909-11	CERAMIC CHIP	10μF	10%	6.3V	C4905	1-112-777-11	CERAMIC CHIP	0.01μF	10%	25V
C4603	1-135-366-11	ELECT CHIP	100μF	20%	16V	C4906	1-135-366-11	ELECT CHIP	100μF	20%	16V
C4604	1-112-777-11	CERAMIC CHIP	0.01μF	10%	25V	C4907	1-112-777-11	CERAMIC CHIP	0.01μF	10%	25V
C4607	1-100-916-11	CERAMIC CHIP	0.1μF	10%	16V	C4908	1-135-366-11	ELECT CHIP	100μF	20%	16V
C4608	1-100-916-11	CERAMIC CHIP	0.1μF	10%	16V	C4909	1-100-916-11	CERAMIC CHIP	0.1μF	10%	16V
C4609	1-100-916-11	CERAMIC CHIP	0.1μF	10%	16V	C4910	1-100-916-11	CERAMIC CHIP	0.1μF	10%	16V
C4610	1-100-916-11	CERAMIC CHIP	0.1μF	10%	16V	C4911	1-100-909-11	CERAMIC CHIP	10μF	10%	6.3V
C4611	1-100-905-11	CERAMIC CHIP	0.001μF	10%	50V	C4912	1-114-367-11	CERAMIC CHIP	0.1μF	20%	6.3V
C4612	1-100-916-11	CERAMIC CHIP	0.1μF	10%	16V	C4913	1-112-777-11	CERAMIC CHIP	0.01μF	10%	25V
C4613	1-100-905-11	CERAMIC CHIP	0.001μF	10%	50V	C4914	1-100-909-11	CERAMIC CHIP	10μF	10%	6.3V
C4614	1-100-916-11	CERAMIC CHIP	0.1μF	10%	16V	C4915	1-114-367-11	CERAMIC CHIP	0.1μF	20%	6.3V
C4615	1-100-916-11	CERAMIC CHIP	0.1μF	10%	16V	C4916	1-112-777-11	CERAMIC CHIP	0.01μF	10%	25V
C4617	1-100-909-11	CERAMIC CHIP	10μF	10%	6.3V	C4917	1-100-916-11	CERAMIC CHIP	0.1μF	10%	16V
C4618	1-114-130-11	CERAMIC CHIP	1μF		6.3V	C4918	1-135-366-11	ELECT CHIP	100μF	20%	16V
C4619	1-100-916-11	CERAMIC CHIP	0.1μF	10%	16V	C4919	1-112-777-11	CERAMIC CHIP	0.01μF	10%	25V
C4620	1-100-916-11	CERAMIC CHIP	0.1μF	10%	16V	C4920	1-100-909-11	CERAMIC CHIP	10μF	10%	6.3V
C4621	1-100-916-11	CERAMIC CHIP	0.1μF	10%	16V	C4921	1-112-777-11	CERAMIC CHIP	0.01μF	10%	25V
C4622	1-100-916-11	CERAMIC CHIP	0.1μF	10%	16V	C4922	1-100-909-11	CERAMIC CHIP	10μF	10%	6.3V
C4623	1-100-909-11	CERAMIC CHIP	10μF	10%	6.3V	C4923	1-112-777-11	CERAMIC CHIP	0.01μF	10%	25V
C4624	1-100-909-11	CERAMIC CHIP	10μF	10%	6.3V	C4924	1-100-909-11	CERAMIC CHIP	10μF	10%	6.3V
C4626	1-100-909-11	CERAMIC CHIP	10μF	10%	6.3V	C4925	1-112-777-11	CERAMIC CHIP	0.01μF	10%	25V
C4627	1-100-909-11	CERAMIC CHIP	10μF	10%	6.3V	C4926	1-100-916-11	CERAMIC CHIP	0.1μF	10%	16V
C4628	1-100-916-11	CERAMIC CHIP	0.1μF	10%	16V	C4927	1-135-366-11	ELECT CHIP	100μF	20%	16V
C4629	1-112-777-11	CERAMIC CHIP	0.01μF	10%	25V	C4928	1-100-916-11	CERAMIC CHIP	0.1μF	10%	16V
C4631	1-100-916-11	CERAMIC CHIP	0.1μF	10%	16V	C4929	1-112-777-11	CERAMIC CHIP	0.01μF	10%	25V
C4632	1-100-909-11	CERAMIC CHIP	10μF	10%	6.3V	C4930	1-100-916-11	CERAMIC CHIP	0.1μF	10%	16V
C4633	1-164-172-11	CERAMIC CHIP	0.0056μF	10%	25V	C4931	1-135-366-11	ELECT CHIP	100μF	20%	16V
C4634	1-100-916-11	CERAMIC CHIP	0.1μF	10%	16V	C4932	1-112-777-11	CERAMIC CHIP	0.01μF	10%	25V
C4636	1-100-905-11	CERAMIC CHIP	0.001μF	10%	50V	C4933	1-135-366-11	ELECT CHIP	100μF	20%	16V
C4639	1-112-777-11	CERAMIC CHIP	0.01μF	10%	25V	C4934	1-112-777-11	CERAMIC CHIP	0.01μF	10%	25V
C4640	1-100-916-11	CERAMIC CHIP	0.1μF	10%	16V	C4935	1-135-366-11	ELECT CHIP	100μF	20%	16V
C4641	1-100-909-11	CERAMIC CHIP	10μF	10%	6.3V	C4937	1-100-916-11	CERAMIC CHIP	0.1μF	10%	16V

FB3

REF. NO.	PART NO.	DESCRIPTION	VALUES			REF. NO.	PART NO.	DESCRIPTION	VALUES		
C4938	1-100-916-11	CERAMIC CHIP	0.1μF	10%	16V	C4986	1-112-777-11	CERAMIC CHIP	0.01μF	10%	25V
C4939	1-100-916-11	CERAMIC CHIP	0.1μF	10%	16V	C4988	1-100-916-11	CERAMIC CHIP	0.1μF	10%	16V
C4940	1-100-916-11	CERAMIC CHIP	0.1μF	10%	16V	C4989	1-100-916-11	CERAMIC CHIP	0.1μF	10%	16V
C4941	1-100-916-11	CERAMIC CHIP	0.1μF	10%	16V	C5001	1-135-366-11	ELECT CHIP	100μF	20%	16V
C4942	1-100-916-11	CERAMIC CHIP	0.1μF	10%	16V	C5002	1-135-366-11	ELECT CHIP	100μF	20%	16V
C4943	1-100-909-11	CERAMIC CHIP	10μF	10%	6.3V	C5003	1-100-916-11	CERAMIC CHIP	0.1μF	10%	16V
C4944	1-100-916-11	CERAMIC CHIP	0.1μF	10%	16V	C5004	1-112-777-11	CERAMIC CHIP	0.01μF	10%	25V
C4945	1-100-916-11	CERAMIC CHIP	0.1μF	10%	16V	C5005	1-112-066-11	CERAMIC CHIP	10μF	10%	10V
C4946	1-100-909-11	CERAMIC CHIP	10μF	10%	6.3V	C5006	1-100-916-11	CERAMIC CHIP	0.1μF	10%	16V
C4947	1-100-916-11	CERAMIC CHIP	0.1μF	10%	16V	C5010	1-100-909-11	CERAMIC CHIP	10μF	10%	6.3V
C4948	1-100-916-11	CERAMIC CHIP	0.1μF	10%	16V	C5011	1-100-916-11	CERAMIC CHIP	0.1μF	10%	16V
C4949	1-100-916-11	CERAMIC CHIP	0.1μF	10%	16V	C5012	1-100-916-11	CERAMIC CHIP	0.1μF	10%	16V
C4950	1-100-916-11	CERAMIC CHIP	0.1μF	10%	16V	C5013	1-100-916-11	CERAMIC CHIP	0.1μF	10%	16V
C4951	1-100-916-11	CERAMIC CHIP	0.1μF	10%	16V	C5014	1-100-916-11	CERAMIC CHIP	0.1μF	10%	16V
C4952	1-100-916-11	CERAMIC CHIP	0.1μF	10%	16V	C5015	1-100-916-11	CERAMIC CHIP	0.1μF	10%	16V
C4953	1-100-916-11	CERAMIC CHIP	0.1μF	10%	16V	C5016	1-100-905-11	CERAMIC CHIP	0.001μF	10%	50V
C4954	1-100-916-11	CERAMIC CHIP	0.1μF	10%	16V	C5017	1-100-905-11	CERAMIC CHIP	0.001μF	10%	50V
C4955	1-100-916-11	CERAMIC CHIP	0.1μF	10%	16V	C5018	1-100-905-11	CERAMIC CHIP	0.001μF	10%	50V
C4956	1-100-916-11	CERAMIC CHIP	0.1μF	10%	16V	C5019	1-100-905-11	CERAMIC CHIP	0.001μF	10%	50V
C4957	1-100-916-11	CERAMIC CHIP	0.1μF	10%	16V	C5020	1-135-366-11	ELECT CHIP	100μF	20%	16V
C4958	1-100-916-11	CERAMIC CHIP	0.1μF	10%	16V	C5021	1-112-777-11	CERAMIC CHIP	0.01μF	10%	25V
C4959	1-100-916-11	CERAMIC CHIP	0.1μF	10%	16V	C5024	1-100-916-11	CERAMIC CHIP	0.1μF	10%	16V
C4960	1-100-916-11	CERAMIC CHIP	0.1μF	10%	16V	C5025	1-100-909-11	CERAMIC CHIP	10μF	10%	6.3V
C4961	1-100-916-11	CERAMIC CHIP	0.1μF	10%	16V	C5026	1-100-916-11	CERAMIC CHIP	0.1μF	10%	16V
C4962	1-100-916-11	CERAMIC CHIP	0.1μF	10%	16V	C5106	1-100-916-11	CERAMIC CHIP	0.1μF	10%	16V
C4963	1-100-916-11	CERAMIC CHIP	0.1μF	10%	16V	C5181	1-112-777-11	CERAMIC CHIP	0.01μF	10%	25V
C4964	1-100-916-11	CERAMIC CHIP	0.1μF	10%	16V	C5200	1-112-779-11	CERAMIC CHIP	0.047μF	10%	25V
C4966	1-100-916-11	CERAMIC CHIP	0.1μF	10%	16V	C5201	1-164-882-11	CERAMIC CHIP	220pF	5%	16V
C4967	1-100-916-11	CERAMIC CHIP	0.1μF	10%	16V	C5202	1-115-412-11	CERAMIC CHIP	680pF	5%	25V
C4969	1-100-916-11	CERAMIC CHIP	0.1μF	10%	16V	C5203	1-100-911-11	CERAMIC CHIP	4.7μF	10%	25V
C4970	1-100-916-11	CERAMIC CHIP	0.1μF	10%	16V	C5204	1-100-911-11	CERAMIC CHIP	4.7μF	10%	25V
C4971	1-100-916-11	CERAMIC CHIP	0.1μF	10%	16V	C5206	1-112-781-11	CERAMIC CHIP	1μF	10%	10V
C4972	1-100-916-11	CERAMIC CHIP	0.1μF	10%	16V	C5208	1-100-916-11	CERAMIC CHIP	0.1μF	10%	16V
C4973	1-100-916-11	CERAMIC CHIP	0.1μF	10%	16V	C5209	1-112-786-11	ELECT CHIP	330μF	20%	4V
C4974	1-112-777-11	CERAMIC CHIP	0.01μF	10%	25V	C5212	1-100-909-11	CERAMIC CHIP	10μF	10%	6.3V
C4976	1-100-916-11	CERAMIC CHIP	0.1μF	10%	16V	C5213	1-114-367-11	CERAMIC CHIP	0.1μF	20%	6.3V
C4977	1-100-916-11	CERAMIC CHIP	0.1μF	10%	16V	C5214	1-114-367-11	CERAMIC CHIP	0.1μF	20%	6.3V
C4978	1-112-777-11	CERAMIC CHIP	0.01μF	10%	25V	C5215	1-114-367-11	CERAMIC CHIP	0.1μF	20%	6.3V
C4979	1-112-777-11	CERAMIC CHIP	0.01μF	10%	25V	C5216	1-114-367-11	CERAMIC CHIP	0.1μF	20%	6.3V
C4980	1-100-909-11	CERAMIC CHIP	10μF	10%	6.3V	C5217	1-114-367-11	CERAMIC CHIP	0.1μF	20%	6.3V
C4981	1-100-909-11	CERAMIC CHIP	10μF	10%	6.3V	C5218	1-114-367-11	CERAMIC CHIP	0.1μF	20%	6.3V
C4982	1-164-850-11	CERAMIC CHIP	10pF	0.50pF	50V	C5219	1-114-367-11	CERAMIC CHIP	0.1μF	20%	6.3V
C4983	1-164-852-11	CERAMIC CHIP	12pF	5%	50V	C5220	1-114-367-11	CERAMIC CHIP	0.1μF	20%	6.3V
C4984	1-112-781-11	CERAMIC CHIP	1μF	10%	10V	C5221	1-114-367-11	CERAMIC CHIP	0.1μF	20%	6.3V
C4985	1-100-916-11	CERAMIC CHIP	0.1μF	10%	16V	C5222	1-114-367-11	CERAMIC CHIP	0.1μF	20%	6.3V

FB3

REF. NO.	PART NO.	DESCRIPTION	VALUES			REF. NO.	PART NO.	DESCRIPTION	VALUES		
C5223	1-114-367-11	CERAMIC CHIP	0.1μF	20%	6.3V	C5268	1-114-130-11	CERAMIC CHIP	1μF		6.3V
C5224	1-114-367-11	CERAMIC CHIP	0.1μF	20%	6.3V	C5269	1-114-367-11	CERAMIC CHIP	0.1μF	20%	6.3V
C5225	1-114-367-11	CERAMIC CHIP	0.1μF	20%	6.3V	C5270	1-100-909-11	CERAMIC CHIP	10μF	10%	6.3V
C5226	1-114-367-11	CERAMIC CHIP	0.1μF	20%	6.3V	C5271	1-114-130-11	CERAMIC CHIP	1μF		6.3V
C5227	1-114-367-11	CERAMIC CHIP	0.1μF	20%	6.3V	C5272	1-114-367-11	CERAMIC CHIP	0.1μF	20%	6.3V
C5228	1-114-367-11	CERAMIC CHIP	0.1μF	20%	6.3V	C5273	1-114-130-11	CERAMIC CHIP	1μF		6.3V
C5229	1-114-367-11	CERAMIC CHIP	0.1μF	20%	6.3V	C5274	1-114-367-11	CERAMIC CHIP	0.1μF	20%	6.3V
C5230	1-114-367-11	CERAMIC CHIP	0.1μF	20%	6.3V	C5275	1-114-130-11	CERAMIC CHIP	1μF		6.3V
C5231	1-114-367-11	CERAMIC CHIP	0.1μF	20%	6.3V	C5276	1-114-367-11	CERAMIC CHIP	0.1μF	20%	6.3V
C5232	1-114-367-11	CERAMIC CHIP	0.1μF	20%	6.3V	C5277	1-114-130-11	CERAMIC CHIP	1μF		6.3V
C5233	1-100-909-11	CERAMIC CHIP	10μF	10%	6.3V	C5278	1-114-367-11	CERAMIC CHIP	0.1μF	20%	6.3V
C5234	1-114-367-11	CERAMIC CHIP	0.1μF	20%	6.3V	C5279	1-114-130-11	CERAMIC CHIP	1μF		6.3V
C5235	1-114-367-11	CERAMIC CHIP	0.1μF	20%	6.3V	C5280	1-114-367-11	CERAMIC CHIP	0.1μF	20%	6.3V
C5236	1-114-367-11	CERAMIC CHIP	0.1μF	20%	6.3V	C5281	1-114-130-11	CERAMIC CHIP	1μF		6.3V
C5237	1-114-367-11	CERAMIC CHIP	0.1μF	20%	6.3V	C5282	1-114-130-11	CERAMIC CHIP	1μF		6.3V
C5238	1-114-367-11	CERAMIC CHIP	0.1μF	20%	6.3V	C5283	1-114-130-11	CERAMIC CHIP	1μF		6.3V
C5239	1-114-130-11	CERAMIC CHIP	1μF		6.3V	C5284	1-114-130-11	CERAMIC CHIP	1μF		6.3V
C5240	1-114-367-11	CERAMIC CHIP	0.1μF	20%	6.3V	C5285	1-114-130-11	CERAMIC CHIP	1μF		6.3V
C5241	1-114-130-11	CERAMIC CHIP	1μF		6.3V	C5286	1-100-909-11	CERAMIC CHIP	10μF	10%	6.3V
C5242	1-114-130-11	CERAMIC CHIP	1μF		6.3V	C5287	1-112-066-11	CERAMIC CHIP	10μF	10%	10V
C5243	1-114-367-11	CERAMIC CHIP	0.1μF	20%	6.3V	C5288	1-100-909-11	CERAMIC CHIP	10μF	10%	6.3V
C5244	1-114-367-11	CERAMIC CHIP	0.1μF	20%	6.3V	C5289	1-114-367-11	CERAMIC CHIP	0.1μF	20%	6.3V
C5245	1-114-130-11	CERAMIC CHIP	1μF		6.3V	C5290	1-114-343-11	ELECT CHIP	100μF	20%	6.3V
C5246	1-114-367-11	CERAMIC CHIP	0.1μF	20%	6.3V	C5291	1-100-916-11	CERAMIC CHIP	0.1μF	10%	16V
C5247	1-114-367-11	CERAMIC CHIP	0.1μF	20%	6.3V	C5400	1-100-916-11	CERAMIC CHIP	0.1μF	10%	16V
C5248	1-114-130-11	CERAMIC CHIP	1μF		6.3V	C5401	1-100-916-11	CERAMIC CHIP	0.1μF	10%	16V
C5249	1-114-367-11	CERAMIC CHIP	0.1μF	20%	6.3V	C5402	1-100-916-11	CERAMIC CHIP	0.1μF	10%	16V
C5250	1-114-367-11	CERAMIC CHIP	0.1μF	20%	6.3V	C5403	1-100-916-11	CERAMIC CHIP	0.1μF	10%	16V
C5251	1-114-130-11	CERAMIC CHIP	1μF		6.3V	C5404	1-100-916-11	CERAMIC CHIP	0.1μF	10%	16V
C5252	1-114-367-11	CERAMIC CHIP	0.1μF	20%	6.3V	C5409	1-100-916-11	CERAMIC CHIP	0.1μF	10%	16V
C5253	1-114-367-11	CERAMIC CHIP	0.1μF	20%	6.3V	C5410	1-100-916-11	CERAMIC CHIP	0.1μF	10%	16V
C5254	1-114-130-11	CERAMIC CHIP	1μF		6.3V	C5414	1-100-909-11	CERAMIC CHIP	10μF	10%	6.3V
C5255	1-114-367-11	CERAMIC CHIP	0.1μF	20%	6.3V	C5415	1-100-916-11	CERAMIC CHIP	0.1μF	10%	16V
C5256	1-114-367-11	CERAMIC CHIP	0.1μF	20%	6.3V	C5416	1-100-909-11	CERAMIC CHIP	10μF	10%	6.3V
C5257	1-100-909-11	CERAMIC CHIP	10μF	10%	6.3V	C5417	1-100-916-11	CERAMIC CHIP	0.1μF	10%	16V
C5258	1-114-130-11	CERAMIC CHIP	1μF		6.3V	C5418	1-100-905-11	CERAMIC CHIP	0.001μF	10%	50V
C5259	1-114-367-11	CERAMIC CHIP	0.1μF	20%	6.3V	C5419	1-100-905-11	CERAMIC CHIP	0.001μF	10%	50V
C5260	1-114-367-11	CERAMIC CHIP	0.1μF	20%	6.3V	C5420	1-100-905-11	CERAMIC CHIP	0.001μF	10%	50V
C5261	1-114-367-11	CERAMIC CHIP	0.1μF	20%	6.3V	C5421	1-100-905-11	CERAMIC CHIP	0.001μF	10%	50V
C5262	1-114-130-11	CERAMIC CHIP	1μF		6.3V	C5422	1-112-777-11	CERAMIC CHIP	0.01μF	10%	25V
C5263	1-114-367-11	CERAMIC CHIP	0.1μF	20%	6.3V	C5423	1-112-777-11	CERAMIC CHIP	0.01μF	10%	25V
C5264	1-114-367-11	CERAMIC CHIP	0.1μF	20%	6.3V	C5424	1-112-777-11	CERAMIC CHIP	0.01μF	10%	25V
C5265	1-114-367-11	CERAMIC CHIP	0.1μF	20%	6.3V	C5425	1-112-777-11	CERAMIC CHIP	0.01μF	10%	25V
C5266	1-114-130-11	CERAMIC CHIP	1μF		6.3V	C5426	1-100-905-11	CERAMIC CHIP	0.001μF	10%	50V
C5267	1-114-367-11	CERAMIC CHIP	0.1μF	20%	6.3V	C5427	1-112-777-11	CERAMIC CHIP	0.01μF	10%	25V



REF. NO.	PART NO.	DESCRIPTION	VALUES			REF. NO.	PART NO.	DESCRIPTION	VALUES		
R2105	1-208-699-11	METAL CHIP	4.7K	0.50%	1/16W	R2374	1-218-990-81	SHORT CHIP			
R2106	1-218-961-11	RES-CHIP	4.7K	5%	1/16W	R2503	1-218-935-11	RES-CHIP	33	5%	1/16W
R2107	1-218-965-11	RES-CHIP	10K	5%	1/16W	R2504	1-208-663-11	METAL CHIP	150	0.50%	1/16W
R2108	1-218-961-11	RES-CHIP	4.7K	5%	1/16W						
R2109	1-218-965-11	RES-CHIP	10K	5%	1/16W	R2505	1-208-663-11	METAL CHIP	150	0.50%	1/16W
						R2508	1-218-933-11	RES-CHIP	22	5%	1/16W
R2110	1-218-961-11	RES-CHIP	4.7K	5%	1/16W	R2509	1-218-933-11	RES-CHIP	22	5%	1/16W
R2114	1-218-977-11	RES-CHIP	100K	5%	1/16W	R2510	1-218-933-11	RES-CHIP	22	5%	1/16W
R2116	1-218-977-11	RES-CHIP	100K	5%	1/16W	R2511	1-218-933-11	RES-CHIP	22	5%	1/16W
R2118	1-218-989-11	RES-CHIP	1M	5%	1/16W						
R2120	1-208-687-11	METAL CHIP	1.5K	0.50%	1/16W	R2512	1-218-933-11	RES-CHIP	22	5%	1/16W
						R2513	1-218-933-11	RES-CHIP	22	5%	1/16W
R2145	1-218-937-11	RES-CHIP	47	5%	1/16W	R2514	1-218-933-11	RES-CHIP	22	5%	1/16W
R2163	1-218-965-11	RES-CHIP	10K	5%	1/16W	R2519	1-218-943-11	RES-CHIP	150	5%	1/16W
R2200	1-218-937-11	RES-CHIP	47	5%	1/16W	R2520	1-218-943-11	RES-CHIP	150	5%	1/16W
R2201	1-218-953-11	RES-CHIP	1K	5%	1/16W						
R2205	1-218-941-81	RES-CHIP	100	5%	1/16W	R2704	1-218-935-11	RES-CHIP	33	5%	1/16W
						R2705	1-218-990-81	SHORT CHIP			
R2207	1-218-937-11	RES-CHIP	47	5%	1/16W	R2706	1-218-990-81	SHORT CHIP			
R2208	1-218-952-11	RES-CHIP	820	5%	1/16W	R2707	1-218-990-81	SHORT CHIP			
R2209	1-218-937-11	RES-CHIP	47	5%	1/16W	R2708	1-218-990-81	SHORT CHIP			
R2215	1-218-965-11	RES-CHIP	10K	5%	1/16W						
R2216	1-218-965-11	RES-CHIP	10K	5%	1/16W	R2721	1-218-990-81	SHORT CHIP			
						R2722	1-218-990-81	SHORT CHIP			
R2219	1-218-937-11	RES-CHIP	47	5%	1/16W	R2723	1-218-990-81	SHORT CHIP			
R2220	1-218-937-11	RES-CHIP	47	5%	1/16W	R2729	1-208-883-81	METAL CHIP	680	0.50%	1/16W
R2225	1-218-990-81	SHORT CHIP				R2731	1-208-683-11	METAL CHIP	1K	0.50%	1/16W
R2228	1-218-990-81	SHORT CHIP									
R2229	1-218-990-81	SHORT CHIP				R2732	1-208-687-11	METAL CHIP	1.5K	0.50%	1/16W
						R2735	1-218-990-81	SHORT CHIP			
R2230	1-218-977-11	RES-CHIP	100K	5%	1/16W	R2761	1-218-949-11	RES-CHIP	470	5%	1/16W
R2231	1-208-687-11	METAL CHIP	1.5K	0.50%	1/16W	R2769	1-218-933-11	RES-CHIP	22	5%	1/16W
R2232	1-208-687-11	METAL CHIP	1.5K	0.50%	1/16W	R2786	1-218-937-11	RES-CHIP	47	5%	1/16W
R2233	1-218-933-11	RES-CHIP	22	5%	1/16W						
R2300	1-218-947-11	RES-CHIP	330	5%	1/16W	R2793	1-218-937-11	RES-CHIP	47	5%	1/16W
R2305	1-218-977-11	RES-CHIP	100K	5%	1/16W	R2805	1-218-933-11	RES-CHIP	22	5%	1/16W
R2307	1-218-977-11	RES-CHIP	100K	5%	1/16W	R2819	1-218-965-11	RES-CHIP	10K	5%	1/16W
						R2821	1-218-937-11	RES-CHIP	47	5%	1/16W
R2308	1-218-965-11	RES-CHIP	10K	5%	1/16W	R2823	1-218-937-11	RES-CHIP	47	5%	1/16W
R2311	1-218-977-11	RES-CHIP	100K	5%	1/16W						
R2315	1-218-977-11	RES-CHIP	100K	5%	1/16W	R2824	1-218-937-11	RES-CHIP	47	5%	1/16W
R2316	1-218-977-11	RES-CHIP	100K	5%	1/16W	R2825	1-218-937-11	RES-CHIP	47	5%	1/16W
R2349	1-218-965-11	RES-CHIP	10K	5%	1/16W	R2829	1-218-965-11	RES-CHIP	10K	5%	1/16W
						R2850	1-218-933-11	RES-CHIP	22	5%	1/16W
R2350	1-218-989-11	RES-CHIP	1M	5%	1/16W	R2900	1-218-945-11	RES-CHIP	220	5%	1/16W
R2352	1-218-953-11	RES-CHIP	1K	5%	1/16W						
R2367	1-218-990-81	SHORT CHIP				R2914	1-218-937-11	RES-CHIP	47	5%	1/16W
R2369	1-218-965-11	RES-CHIP	10K	5%	1/16W	R2915	1-218-937-11	RES-CHIP	47	5%	1/16W
R2371	1-218-965-11	RES-CHIP	10K	5%	1/16W	R2916	1-218-937-11	RES-CHIP	47	5%	1/16W
						R2930	1-218-941-81	RES-CHIP	100	5%	1/16W
R2372	1-218-961-11	RES-CHIP	4.7K	5%	1/16W	R2941	1-208-911-11	METAL CHIP	10K	0.50%	1/16W
R2373	1-218-965-11	RES-CHIP	10K	5%	1/16W						



REF. NO.	PART NO.	DESCRIPTION	VALUES			REF. NO.	PART NO.	DESCRIPTION	VALUES		
R2942	1-208-935-11	METAL CHIP	100K	0.50%	1/16W	R4028	1-218-990-81	SHORT CHIP			
R2952	1-220-884-81	METAL CHIP	39	0.50%	1/16W	R4030	1-218-990-81	SHORT CHIP			
R2953	1-208-675-11	METAL CHIP	470	0.50%	1/16W	R4032	1-218-990-81	SHORT CHIP			
R2954	1-208-675-11	METAL CHIP	470	0.50%	1/16W	R4033	1-218-990-81	SHORT CHIP			
R2955	1-220-884-81	METAL CHIP	39	0.50%	1/16W	R4035	1-218-990-81	SHORT CHIP			
R2956	1-208-711-11	METAL CHIP	15K	0.50%	1/16W	R4037	1-218-990-81	SHORT CHIP			
R2957	1-208-711-11	METAL CHIP	15K	0.50%	1/16W	R4038	1-218-990-81	SHORT CHIP			
R2961	1-218-961-11	RES-CHIP	4.7K	5%	1/16W	R4039	1-218-990-81	SHORT CHIP			
R2966	1-218-961-11	RES-CHIP	4.7K	5%	1/16W	R4040	1-218-990-81	SHORT CHIP			
R3304	1-218-953-11	RES-CHIP	1K	5%	1/16W	R4041	1-218-990-81	SHORT CHIP			
R3305	1-208-711-11	METAL CHIP	15K	0.50%	1/16W	R4042	1-218-990-81	SHORT CHIP			
R3309	1-218-965-11	RES-CHIP	10K	5%	1/16W	R4043	1-218-990-81	SHORT CHIP			
R3310	1-218-965-11	RES-CHIP	10K	5%	1/16W	R4044	1-218-990-81	SHORT CHIP			
R3311	1-216-864-11	SHORT CHIP				R4045	1-218-990-81	SHORT CHIP			
R3323	1-218-990-81	SHORT CHIP				R4046	1-218-990-81	SHORT CHIP			
R3324	1-218-990-81	SHORT CHIP				R4047	1-218-990-81	SHORT CHIP			
R3325	1-208-677-11	METAL CHIP	560	0.50%	1/16W	R4048	1-218-990-81	SHORT CHIP			
R3326	1-208-923-11	METAL CHIP	33K	0.50%	1/16W	R4049	1-218-990-81	SHORT CHIP			
R3331	1-208-911-11	METAL CHIP	10K	0.50%	1/16W	R4050	1-218-990-81	SHORT CHIP			
R3333	1-218-965-11	RES-CHIP	10K	5%	1/16W	R4051	1-218-990-81	SHORT CHIP			
R3334	1-216-791-11	METAL CHIP	3.3	5%	1/10W	R4052	1-218-990-81	SHORT CHIP			
R3335	1-208-699-11	METAL CHIP	4.7K	0.50%	1/16W	R4053	1-218-990-81	SHORT CHIP			
R3337	1-208-911-11	METAL CHIP	10K	0.50%	1/16W	R4054	1-218-990-81	SHORT CHIP			
R3338	1-218-965-11	RES-CHIP	10K	5%	1/16W	R4055	1-218-990-81	SHORT CHIP			
R3339	1-208-677-11	METAL CHIP	560	0.50%	1/16W	R4056	1-218-990-81	SHORT CHIP			
R3341	1-218-990-81	SHORT CHIP				R4057	1-218-990-81	SHORT CHIP			
R3342	1-218-990-81	SHORT CHIP				R4060	1-218-990-81	SHORT CHIP			
R3343	1-208-695-11	METAL CHIP	3.3K	0.50%	1/16W	R4068	1-218-990-81	SHORT CHIP			
R3344	1-218-953-11	RES-CHIP	1K	5%	1/16W	R4069	1-218-990-81	SHORT CHIP			
R3346	1-218-941-11	RES-CHIP	100	5%	1/16W	R4070	1-218-990-81	SHORT CHIP			
R3351	1-218-990-81	SHORT CHIP				R4071	1-218-990-81	SHORT CHIP			
R3354	1-208-643-11	METAL CHIP	22	0.50%	1/16W	R4072	1-218-990-81	SHORT CHIP			
R3355	1-208-675-11	METAL CHIP	470	0.50%	1/16W	R4073	1-218-990-81	SHORT CHIP			
R3356	1-208-894-81	METAL CHIP	2K	0.50%	1/16W	R4074	1-218-990-81	SHORT CHIP			
R3359	1-218-990-81	SHORT CHIP				R4075	1-218-990-81	SHORT CHIP			
R3360	1-208-893-11	METAL CHIP	1.8K	0.50%	1/16W	R4076	1-218-990-81	SHORT CHIP			
R3361	1-208-894-81	METAL CHIP	2K	0.50%	1/16W	R4078	1-218-990-81	SHORT CHIP			
R3365	1-218-990-81	SHORT CHIP				R4079	1-218-990-81	SHORT CHIP			
R4000	1-218-990-81	SHORT CHIP				R4080	1-218-990-81	SHORT CHIP			
R4001	1-218-990-81	SHORT CHIP				R4081	1-218-990-81	SHORT CHIP			
R4004	1-218-990-81	SHORT CHIP				R4083	1-218-990-81	SHORT CHIP			
R4005	1-218-990-81	SHORT CHIP				R4090	1-218-990-81	SHORT CHIP			
R4021	1-218-990-81	SHORT CHIP				R4091	1-218-990-81	SHORT CHIP			
R4024	1-218-990-81	SHORT CHIP				R4092	1-218-990-81	SHORT CHIP			
R4026	1-218-990-81	SHORT CHIP				R4093	1-218-990-81	SHORT CHIP			



REF. NO.	PART NO.	DESCRIPTION	VALUES			REF. NO.	PART NO.	DESCRIPTION	VALUES		
R4094	1-218-990-81	SHORT CHIP				R4201	1-218-965-11	RES-CHIP	10K	5%	1/16W
R4095	1-218-990-81	SHORT CHIP				R4202	1-218-953-11	RES-CHIP	1K	5%	1/16W
R4096	1-218-990-81	SHORT CHIP				R4206	1-216-864-11	SHORT CHIP			
R4097	1-218-990-81	SHORT CHIP				R4207	1-216-864-11	SHORT CHIP			
R4098	1-218-990-81	SHORT CHIP				R4301	1-218-990-81	SHORT CHIP			
R4099	1-218-990-81	SHORT CHIP				R4302	1-218-990-81	SHORT CHIP			
R4100	1-208-711-11	METAL CHIP	15K	0.50%	1/16W	R4303	1-208-691-11	METAL CHIP	2.2K	0.50%	1/16W
R4102	1-218-990-81	SHORT CHIP				R4304	1-208-691-11	METAL CHIP	2.2K	0.50%	1/16W
R4103	1-218-990-81	SHORT CHIP				R4316	1-218-929-11	RES-CHIP	10	5%	1/16W
R4104	1-208-943-11	METAL CHIP	220K	0.50%	1/16W	R4317	1-218-929-11	RES-CHIP	10	5%	1/16W
R4105	1-208-943-11	METAL CHIP	220K	0.50%	1/16W	R4318	1-208-683-11	METAL CHIP	1K	0.50%	1/16W
R4106	1-218-990-81	SHORT CHIP				R4319	1-208-683-11	METAL CHIP	1K	0.50%	1/16W
R4111	1-218-929-11	RES-CHIP	10	5%	1/16W	R4333	1-208-869-11	METAL CHIP	180	0.50%	1/16W
R4112	1-208-703-11	METAL CHIP	6.8K	0.50%	1/16W	R4334	1-208-683-11	METAL CHIP	1K	0.50%	1/16W
R4115	1-218-929-11	RES-CHIP	10	5%	1/16W	R4345	1-218-961-11	RES-CHIP	4.7K	5%	1/16W
R4116	1-218-990-81	SHORT CHIP				R4366	1-218-990-81	SHORT CHIP			
R4117	1-218-990-81	SHORT CHIP				R4367	1-218-973-11	RES-CHIP	47K	5%	1/16W
R4119	1-218-929-11	RES-CHIP	10	5%	1/16W	R4368	1-218-973-11	RES-CHIP	47K	5%	1/16W
R4120	1-218-990-81	SHORT CHIP				R4369	1-218-973-11	RES-CHIP	47K	5%	1/16W
R4121	1-218-990-81	SHORT CHIP				R4370	1-218-973-11	RES-CHIP	47K	5%	1/16W
R4122	1-208-909-11	METAL CHIP	8.2K	0.50%	1/16W	R4371	1-218-990-81	SHORT CHIP			
R4127	1-218-990-81	SHORT CHIP				R4373	1-218-961-11	RES-CHIP	4.7K	5%	1/16W
R4128	1-218-929-11	RES-CHIP	10	5%	1/16W	R4380	1-218-990-81	SHORT CHIP			
R4130	1-218-929-11	RES-CHIP	10	5%	1/16W	R4381	1-218-965-11	RES-CHIP	10K	5%	1/16W
R4131	1-218-965-11	RES-CHIP	10K	5%	1/16W	R4383	1-218-990-81	SHORT CHIP			
R4138	1-218-990-81	SHORT CHIP				R4384	1-218-965-11	RES-CHIP	10K	5%	1/16W
R4141	1-208-715-11	METAL CHIP	22K	0.50%	1/16W	R4387	1-218-990-81	SHORT CHIP			
R4144	1-218-990-81	SHORT CHIP				R4428	1-208-923-11	METAL CHIP	33K	0.50%	1/16W
R4146	1-218-978-11	RES-CHIP	120K	5%	1/16W	R4429	1-218-990-81	SHORT CHIP			
R4147	1-218-978-11	RES-CHIP	120K	5%	1/16W	R4433	1-208-939-11	METAL CHIP	150K	0.50%	1/16W
R4148	1-218-978-11	RES-CHIP	120K	5%	1/16W	R4434	1-208-715-11	METAL CHIP	22K	0.50%	1/16W
R4152	1-208-711-11	METAL CHIP	15K	0.50%	1/16W	R4435	1-208-911-11	METAL CHIP	10K	0.50%	1/16W
R4160	1-208-711-11	METAL CHIP	15K	0.50%	1/16W	R4440	1-208-911-11	METAL CHIP	10K	0.50%	1/16W
R4161	1-218-990-81	SHORT CHIP				R4449	1-208-911-11	METAL CHIP	10K	0.50%	1/16W
R4162	1-218-978-11	RES-CHIP	120K	5%	1/16W	R4452	1-208-911-11	METAL CHIP	10K	0.50%	1/16W
R4163	1-208-929-81	METAL CHIP	56K	0.50%	1/16W	R4453	1-208-911-11	METAL CHIP	10K	0.50%	1/16W
R4164	1-208-721-11	METAL CHIP	39K	0.50%	1/16W	R4455	1-208-911-11	METAL CHIP	10K	0.50%	1/16W
R4165	1-218-990-81	SHORT CHIP				R4460	1-218-990-81	SHORT CHIP			
R4166	1-208-715-11	METAL CHIP	22K	0.50%	1/16W	R4461	1-218-990-81	SHORT CHIP			
R4169	1-218-990-81	SHORT CHIP				R4462	1-218-941-81	RES-CHIP	100	5%	1/16W
R4171	1-218-990-81	SHORT CHIP				R4463	1-218-941-81	RES-CHIP	100	5%	1/16W
R4172	1-208-911-11	METAL CHIP	10K	0.50%	1/16W	R4498	1-208-691-11	METAL CHIP	2.2K	0.50%	1/16W
R4177	1-218-929-11	RES-CHIP	10	5%	1/16W	R4500	1-218-973-11	RES-CHIP	47K	5%	1/16W
R4181	1-218-990-81	SHORT CHIP				R4502	1-218-990-81	SHORT CHIP			
R4188	1-218-990-81	SHORT CHIP				R4503	1-218-939-11	RES-CHIP	68	5%	1/16W



REF. NO.	PART NO.	DESCRIPTION	VALUES			REF. NO.	PART NO.	DESCRIPTION	VALUES		
R4505	1-218-937-11	RES-CHIP	47	5%	1/16W	R4636	1-218-990-81	SHORT CHIP			
R4506	1-218-937-11	RES-CHIP	47	5%	1/16W	R4637	1-218-990-81	SHORT CHIP			
R4508	1-218-937-11	RES-CHIP	47	5%	1/16W	R4640	1-218-990-81	SHORT CHIP			
R4509	1-218-937-11	RES-CHIP	47	5%	1/16W	R4641	1-218-965-11	RES-CHIP	10K	5%	1/16W
R4511	1-218-937-11	RES-CHIP	47	5%	1/16W	R4642	1-218-941-81	RES-CHIP	100	5%	1/16W
R4512	1-218-937-11	RES-CHIP	47	5%	1/16W	R4644	1-218-990-81	SHORT CHIP			
R4513	1-218-937-11	RES-CHIP	47	5%	1/16W	R4646	1-218-937-11	RES-CHIP	47	5%	1/16W
R4514	1-218-937-11	RES-CHIP	47	5%	1/16W	R4648	1-218-937-11	RES-CHIP	47	5%	1/16W
R4515	1-218-933-11	RES-CHIP	22	5%	1/16W	R4649	1-218-937-11	RES-CHIP	47	5%	1/16W
R4520	1-218-933-11	RES-CHIP	22	5%	1/16W	R4652	1-218-937-11	RES-CHIP	47	5%	1/16W
R4523	1-218-990-81	SHORT CHIP				R4654	1-218-965-11	RES-CHIP	10K	5%	1/16W
R4524	1-218-990-81	SHORT CHIP				R4660	1-208-691-11	METAL CHIP	2.2K	0.50%	1/16W
R4525	1-218-961-11	RES-CHIP	4.7K	5%	1/16W	R4662	1-218-933-11	RES-CHIP	22	5%	1/16W
R4527	1-218-965-11	RES-CHIP	10K	5%	1/16W	R4669	1-218-990-81	SHORT CHIP			
R4534	1-216-864-11	SHORT CHIP				R4670	1-218-990-81	SHORT CHIP			
R4535	1-218-973-11	RES-CHIP	47K	5%	1/16W	R4684	1-208-691-11	METAL CHIP	2.2K	0.50%	1/16W
R4536	1-218-973-11	RES-CHIP	47K	5%	1/16W	R4685	1-208-691-11	METAL CHIP	2.2K	0.50%	1/16W
R4538	1-216-864-11	SHORT CHIP				R4692	1-208-699-11	METAL CHIP	4.7K	0.50%	1/16W
R4539	1-218-990-81	SHORT CHIP				R4693	1-218-941-11	RES-CHIP	100	5%	1/16W
R4545	1-218-939-11	RES-CHIP	68	5%	1/16W	R4696	1-218-933-11	RES-CHIP	22	5%	1/16W
R4546	1-218-939-11	RES-CHIP	68	5%	1/16W	R4698	1-218-933-11	RES-CHIP	22	5%	1/16W
R4547	1-218-935-11	RES-CHIP	33	5%	1/16W	R4699	1-218-933-11	RES-CHIP	22	5%	1/16W
R4590	1-218-990-81	SHORT CHIP				R4903	1-218-935-11	RES-CHIP	33	5%	1/16W
R4591	1-218-990-81	SHORT CHIP				R4904	1-218-953-11	RES-CHIP	1K	5%	1/16W
R4596	1-218-938-11	RES-CHIP	56	5%	1/16W	R4905	1-218-935-11	RES-CHIP	33	5%	1/16W
R4597	1-218-990-81	SHORT CHIP				R4908	1-216-864-11	SHORT CHIP			
R4600	1-208-675-11	METAL CHIP	470	0.50%	1/16W	R4915	1-208-687-11	METAL CHIP	1.5K	0.50%	1/16W
R4601	1-208-675-11	METAL CHIP	470	0.50%	1/16W	R4916	1-208-683-11	METAL CHIP	1K	0.50%	1/16W
R4602	1-208-675-11	METAL CHIP	470	0.50%	1/16W	R4918	1-218-935-11	RES-CHIP	33	5%	1/16W
R4606	1-208-677-11	METAL CHIP	560	0.50%	1/16W	R4919	1-218-935-11	RES-CHIP	33	5%	1/16W
R4607	1-208-677-11	METAL CHIP	560	0.50%	1/16W	R4921	1-208-687-11	METAL CHIP	1.5K	0.50%	1/16W
R4608	1-208-677-11	METAL CHIP	560	0.50%	1/16W	R4922	1-218-941-11	RES-CHIP	100	5%	1/16W
R4609	1-208-861-81	METAL CHIP	82	0.50%	1/16W	R4924	1-208-687-11	METAL CHIP	1.5K	0.50%	1/16W
R4610	1-208-861-81	METAL CHIP	82	0.50%	1/16W	R4925	1-218-941-11	RES-CHIP	100	5%	1/16W
R4611	1-208-861-81	METAL CHIP	82	0.50%	1/16W	R4927	1-208-871-81	METAL CHIP	220	0.50%	1/16W
R4618	1-218-835-11	METAL CHIP	330	0.50%	1/10W	R4929	1-218-965-11	RES-CHIP	10K	5%	1/16W
R4619	1-218-929-11	RES-CHIP	10	5%	1/16W	R4933	1-208-687-11	METAL CHIP	1.5K	0.50%	1/16W
R4620	1-218-835-11	METAL CHIP	330	0.50%	1/10W	R4934	1-208-687-11	METAL CHIP	1.5K	0.50%	1/16W
R4621	1-218-929-11	RES-CHIP	10	5%	1/16W	R4935	1-218-958-11	RES-CHIP	2.7K	5%	1/16W
R4622	1-218-835-11	METAL CHIP	330	0.50%	1/10W	R4936	1-218-990-81	SHORT CHIP			
R4623	1-218-929-11	RES-CHIP	10	5%	1/16W	R4938	1-218-958-11	RES-CHIP	2.7K	5%	1/16W
R4628	1-216-815-11	METAL CHIP	330	5%	1/10W	R4939	1-218-990-81	SHORT CHIP			
R4629	1-216-815-11	METAL CHIP	330	5%	1/10W	R4941	1-218-947-11	RES-CHIP	330	5%	1/16W
R4630	1-216-815-11	METAL CHIP	330	5%	1/10W	R4942	1-218-935-11	RES-CHIP	33	5%	1/16W
R4631	1-216-815-11	METAL CHIP	330	5%	1/10W	R4943	1-218-990-81	SHORT CHIP			



REF. NO.	PART NO.	DESCRIPTION	VALUES			REF. NO.	PART NO.	DESCRIPTION	VALUES		
R4946	1-216-815-11	METAL CHIP	330	5%	1/10W	R5194	1-218-933-11	RES-CHIP	22	5%	1/16W
R4948	1-216-815-11	METAL CHIP	330	5%	1/10W	R5195	1-218-990-81	SHORT CHIP			
R4959	1-218-941-11	RES-CHIP	100	5%	1/16W	R5196	1-218-990-81	SHORT CHIP			
R4960	1-208-883-81	METAL CHIP	680	0.50%	1/16W	R5197	1-218-933-11	RES-CHIP	22	5%	1/16W
R4961	1-218-941-11	RES-CHIP	100	5%	1/16W	R5198	1-218-937-11	RES-CHIP	47	5%	1/16W
R4967	1-218-990-81	SHORT CHIP				R5199	1-218-937-11	RES-CHIP	47	5%	1/16W
R4968	1-218-990-81	SHORT CHIP				R5203	1-218-969-11	RES-CHIP	22K	5%	1/16W
R4969	1-218-941-11	RES-CHIP	100	5%	1/16W	R5204	1-218-953-11	RES-CHIP	1K	5%	1/16W
R4970	1-218-941-11	RES-CHIP	100	5%	1/16W	R5205	1-218-990-81	SHORT CHIP			
R4974	1-208-683-11	METAL CHIP	1K	0.50%	1/16W	R5207	1-218-990-81	SHORT CHIP			
R4976	1-208-683-11	METAL CHIP	1K	0.50%	1/16W	R5209	1-218-959-11	RES-CHIP	3.3K	5%	1/16W
R4978	1-218-990-81	SHORT CHIP				R5210	1-218-990-81	SHORT CHIP			
R4990	1-208-911-11	METAL CHIP	10K	0.50%	1/16W	R5216	1-218-990-81	SHORT CHIP			
R4991	1-218-941-11	RES-CHIP	100	5%	1/16W	R5217	1-218-943-11	RES-CHIP	150	5%	1/16W
R4994	1-218-953-11	RES-CHIP	1K	5%	1/16W	R5218	1-218-990-81	SHORT CHIP			
R4996	1-208-677-11	METAL CHIP	560	0.50%	1/16W	R5219	1-218-929-11	RES-CHIP	10	5%	1/16W
R4997	1-218-990-81	SHORT CHIP				R5220	1-218-929-11	RES-CHIP	10	5%	1/16W
R5002	1-208-885-11	METAL CHIP	820	0.50%	1/16W	R5221	1-218-929-11	RES-CHIP	10	5%	1/16W
R5005	1-208-703-11	METAL CHIP	6.8K	0.50%	1/16W	R5222	1-218-929-11	RES-CHIP	10	5%	1/16W
R5006	1-218-935-11	RES-CHIP	33	5%	1/16W	R5223	1-218-990-81	SHORT CHIP			
R5012	1-208-695-11	METAL CHIP	3.3K	0.50%	1/16W	R5224	1-218-990-81	SHORT CHIP			
R5014	1-218-973-11	RES-CHIP	47K	5%	1/16W	R5225	1-242-967-81	RES-CHIP	1	5%	1/16W
R5015	1-218-953-11	RES-CHIP	1K	5%	1/16W	R5230	1-218-990-81	SHORT CHIP			
R5016	1-218-990-81	SHORT CHIP				R5405	1-218-933-11	RES-CHIP	22	5%	1/16W
R5017	1-218-990-81	SHORT CHIP				R5406	1-218-939-11	RES-CHIP	68	5%	1/16W
R5019	1-218-935-11	RES-CHIP	33	5%	1/16W	R5407	1-218-937-11	RES-CHIP	47	5%	1/16W
R5020	1-216-864-11	SHORT CHIP				R5408	1-218-937-11	RES-CHIP	47	5%	1/16W
R5021	1-216-864-11	SHORT CHIP				R5409	1-218-939-11	RES-CHIP	68	5%	1/16W
R5119	1-218-990-81	SHORT CHIP				R5410	1-218-937-11	RES-CHIP	47	5%	1/16W
R5120	1-218-990-81	SHORT CHIP				R5411	1-218-939-11	RES-CHIP	68	5%	1/16W
R5121	1-218-990-81	SHORT CHIP				R5412	1-218-939-11	RES-CHIP	68	5%	1/16W
R5122	1-218-965-11	RES-CHIP	10K	5%	1/16W	R5416	1-218-990-81	SHORT CHIP			
R5123	1-218-937-11	RES-CHIP	47	5%	1/16W	R5427	1-218-965-11	RES-CHIP	10K	5%	1/16W
R5124	1-218-933-11	RES-CHIP	22	5%	1/16W	R5430	1-218-965-11	RES-CHIP	10K	5%	1/16W
R5125	1-218-933-11	RES-CHIP	22	5%	1/16W	R5433	1-218-933-11	RES-CHIP	22	5%	1/16W
R5126	1-218-933-11	RES-CHIP	22	5%	1/16W	R5434	1-218-961-11	RES-CHIP	4.7K	5%	1/16W
R5131	1-218-933-11	RES-CHIP	22	5%	1/16W	R5435	1-218-961-11	RES-CHIP	4.7K	5%	1/16W
R5133	1-218-990-81	SHORT CHIP				R5436	1-218-961-11	RES-CHIP	4.7K	5%	1/16W
R5134	1-218-937-11	RES-CHIP	47	5%	1/16W	R5437	1-218-933-11	RES-CHIP	22	5%	1/16W
R5155	1-218-933-11	RES-CHIP	22	5%	1/16W	R5438	1-218-961-11	RES-CHIP	4.7K	5%	1/16W
R5181	1-218-937-11	RES-CHIP	47	5%	1/16W	R5444	1-218-961-11	RES-CHIP	4.7K	5%	1/16W
R5182	1-218-937-11	RES-CHIP	47	5%	1/16W	R5445	1-218-961-11	RES-CHIP	4.7K	5%	1/16W
R5183	1-218-933-11	RES-CHIP	22	5%	1/16W	R5446	1-218-961-11	RES-CHIP	4.7K	5%	1/16W
R5191	1-218-990-81	SHORT CHIP				R5449	1-218-961-11	RES-CHIP	4.7K	5%	1/16W
R5193	1-218-933-11	RES-CHIP	22	5%	1/16W	R5450	1-218-990-81	SHORT CHIP			

FB3

REF. NO.	PART NO.	DESCRIPTION	VALUES			REF. NO.	PART NO.	DESCRIPTION	VALUES		
R5452	1-218-990-81	SHORT CHIP				R5580	1-218-939-11	RES-CHIP	68	5%	1/16W
R5453	1-218-965-11	RES-CHIP	10K	5%	1/16W	R5581	1-218-939-11	RES-CHIP	68	5%	1/16W
R5456	1-218-933-11	RES-CHIP	22	5%	1/16W	R5582	1-218-939-11	RES-CHIP	68	5%	1/16W
R5466	1-218-939-11	RES-CHIP	68	5%	1/16W	R5583	1-218-939-11	RES-CHIP	68	5%	1/16W
R5467	1-218-933-11	RES-CHIP	22	5%	1/16W	R5588	1-218-977-11	RES-CHIP	100K	5%	1/16W
R5468	1-218-933-11	RES-CHIP	22	5%	1/16W	R5589	1-218-965-11	RES-CHIP	10K	5%	1/16W
R5471	1-218-933-11	RES-CHIP	22	5%	1/16W	R5590	1-218-977-11	RES-CHIP	100K	5%	1/16W
R5472	1-218-965-11	RES-CHIP	10K	5%	1/16W	R5600	1-216-864-11	SHORT CHIP			
R5473	1-218-965-11	RES-CHIP	10K	5%	1/16W	R5601	1-216-864-11	SHORT CHIP			
R5476	1-218-965-11	RES-CHIP	10K	5%	1/16W	R5602	1-218-961-11	RES-CHIP	4.7K	5%	1/16W
R5478	1-218-990-81	SHORT CHIP				R5603	1-218-961-11	RES-CHIP	4.7K	5%	1/16W
R5479	1-218-990-81	SHORT CHIP				R5618	1-218-965-11	RES-CHIP	10K	5%	1/16W
R5480	1-218-937-11	RES-CHIP	47	5%	1/16W	R5619	1-218-965-11	RES-CHIP	10K	5%	1/16W
R5481	1-218-937-11	RES-CHIP	47	5%	1/16W	R5620	1-218-965-11	RES-CHIP	10K	5%	1/16W
R5482	1-218-990-81	SHORT CHIP									
R5483	1-218-933-11	RES-CHIP	22	5%	1/16W	RESISTOR BRIDGE					
R5484	1-218-933-11	RES-CHIP	22	5%	1/16W	RB2102	1-234-944-21	RES, NETWORK 47	(1005X4)		
R5487	1-218-933-11	RES-CHIP	22	5%	1/16W	RB2104	1-234-378-11	RES, NETWORK 10K	(1005X4)		
R5492	1-218-990-81	SHORT CHIP				RB2107	1-234-378-11	RES, NETWORK 10K	(1005X4)		
R5494	1-218-965-11	RES-CHIP	10K	5%	1/16W	RB2108	1-234-799-21	RES, CHIP NETWORK 10KX8	(3816)		
R5495	1-218-965-11	RES-CHIP	10K	5%	1/16W	RB2109	1-234-378-11	RES, NETWORK 10K	(1005X4)		
R5498	1-218-965-11	RES-CHIP	10K	5%	1/16W	RB2111	1-234-375-21	RES, NETWORK 1K	(1005X4)		
R5501	1-218-937-11	RES-CHIP	47	5%	1/16W	RB2114	1-234-376-11	RES, NETWORK 2.2K	(1005X4)		
R5506	1-218-990-81	SHORT CHIP				RB2115	1-239-690-81	RESISTOR, NETWORK 2.2K			
R5512	1-218-941-81	RES-CHIP	100	5%	1/16W	RB2117	1-234-944-21	RES, NETWORK 47	(1005X4)		
R5513	1-218-965-11	RES-CHIP	10K	5%	1/16W	RB2120	1-234-795-21	RES, NETWORK 0X4	(2010)		
R5514	1-218-965-11	RES-CHIP	10K	5%	1/16W	RB2121	1-234-378-11	RES, NETWORK 10K	(1005X4)		
R5516	1-218-990-81	SHORT CHIP				RB2122	1-239-698-11	RESISTOR, NETWORK 10K			
R5517	1-218-941-81	RES-CHIP	100	5%	1/16W	RB2123	1-234-945-21	RES, NETWORK 100	(1005X4)		
R5519	1-218-965-11	RES-CHIP	10K	5%	1/16W	RB2300	1-234-711-21	RES, CHIP NETWORK 22X8	(3816)		
R5524	1-218-937-11	RES-CHIP	47	5%	1/16W	RB2301	1-234-711-21	RES, CHIP NETWORK 22X8	(3816)		
R5525	1-218-973-11	RES-CHIP	47K	5%	1/16W	RB2302	1-234-799-21	RES, CHIP NETWORK 10KX8	(3816)		
R5532	1-218-937-11	RES-CHIP	47	5%	1/16W	RB2303	1-234-799-21	RES, CHIP NETWORK 10KX8	(3816)		
R5537	1-218-939-11	RES-CHIP	68	5%	1/16W	RB2304	1-234-799-21	RES, CHIP NETWORK 10KX8	(3816)		
R5544	1-218-933-11	RES-CHIP	22	5%	1/16W	RB2305	1-234-799-21	RES, CHIP NETWORK 10KX8	(3816)		
R5547	1-218-933-11	RES-CHIP	22	5%	1/16W	RB2307	1-234-945-21	RES, NETWORK 100	(1005X4)		
R5548	1-218-933-11	RES-CHIP	22	5%	1/16W	RB2308	1-234-945-21	RES, NETWORK 100	(1005X4)		
R5550	1-218-965-11	RES-CHIP	10K	5%	1/16W	RB2309	1-234-945-21	RES, NETWORK 100	(1005X4)		
R5551	1-218-965-11	RES-CHIP	10K	5%	1/16W	RB2310	1-234-945-21	RES, NETWORK 100	(1005X4)		
R5553	1-218-933-11	RES-CHIP	22	5%	1/16W	RB2311	1-234-945-21	RES, NETWORK 100	(1005X4)		
R5556	1-218-933-11	RES-CHIP	22	5%	1/16W	RB2312	1-234-945-21	RES, NETWORK 100	(1005X4)		
R5561	1-218-933-11	RES-CHIP	22	5%	1/16W	RB2313	1-234-945-21	RES, NETWORK 100	(1005X4)		
R5567	1-218-933-11	RES-CHIP	22	5%	1/16W	RB2314	1-234-945-21	RES, NETWORK 100	(1005X4)		
R5571	1-218-933-11	RES-CHIP	22	5%	1/16W	RB2315	1-234-378-11	RES, NETWORK 10K	(1005X4)		
R5575	1-218-973-11	RES-CHIP	47K	5%	1/16W	RB2316	1-234-378-11	RES, NETWORK 10K	(1005X4)		



REF. NO.	PART NO.	DESCRIPTION	VALUES	REF. NO.	PART NO.	DESCRIPTION	VALUES
RB2317	1-234-378-11	RES, NETWORK 10K	(1005X4)	RB2916	1-234-799-21	RES, CHIP NETWORK 10KX8 (3816)	
RB2318	1-234-378-11	RES, NETWORK 10K	(1005X4)	RB2917	1-234-943-21	RES, NETWORK 22	(1005X4)
RB2500	1-234-943-21	RES, NETWORK 22	(1005X4)	RB2918	1-234-880-21	RES, CHIP NETWORK 4.7KX8(3816)	
RB2501	1-234-943-21	RES, NETWORK 22	(1005X4)	RB2919	1-234-799-21	RES, CHIP NETWORK 10KX8 (3816)	
RB2502	1-234-943-21	RES, NETWORK 22	(1005X4)	RB2920	1-234-799-21	RES, CHIP NETWORK 10KX8 (3816)	
RB2503	1-234-943-21	RES, NETWORK 22	(1005X4)	RB2922	1-234-944-21	RES, NETWORK 47	(1005X4)
RB2504	1-234-943-21	RES, NETWORK 22	(1005X4)	RB2923	1-234-943-21	RES, NETWORK 22	(1005X4)
RB2700	1-234-799-21	RES, CHIP NETWORK 10KX8 (3816)		RB2924	1-234-378-11	RES, NETWORK 10K	(1005X4)
RB2701	1-234-378-11	RES, NETWORK 10K	(1005X4)	RB3300	1-234-378-11	RES, NETWORK 10K	(1005X4)
RB2702	1-234-799-21	RES, CHIP NETWORK 10KX8 (3816)		RB3301	1-234-378-11	RES, NETWORK 10K	(1005X4)
RB2703	1-234-799-21	RES, CHIP NETWORK 10KX8 (3816)		RB3302	1-239-698-11	RESISTOR, NETWORK 10K	
RB2705	1-234-381-21	RES, NETWORK 100K	(1005X4)	RB4300	1-234-945-21	RES, NETWORK 100	(1005X4)
RB2706	1-234-883-21	RES, CHIP NETWORK 100KX8(3816)		RB4301	1-234-945-21	RES, NETWORK 100	(1005X4)
RB2707	1-234-883-21	RES, CHIP NETWORK 100KX8(3816)		RB4302	1-234-795-21	RES, NETWORK 0X4	(2010)
RB2708	1-234-710-21	RES, CHIP NETWORK 47X8 (3816)		RB4303	1-234-795-21	RES, NETWORK 0X4	(2010)
RB2709	1-234-710-21	RES, CHIP NETWORK 47X8 (3816)		RB4503	1-234-892-21	RES, CHIP NETWORK 33X8 (3816)	
RB2712	1-245-943-21	RES, CHIP NETWORK 68X8 (3816)		RB4505	1-234-892-21	RES, CHIP NETWORK 33X8 (3816)	
RB2713	1-245-943-21	RES, CHIP NETWORK 68X8 (3816)		RB4507	1-234-892-21	RES, CHIP NETWORK 33X8 (3816)	
RB2714	1-245-943-21	RES, CHIP NETWORK 68X8 (3816)		RB4512	1-234-892-21	RES, CHIP NETWORK 33X8 (3816)	
RB2715	1-245-943-21	RES, CHIP NETWORK 68X8 (3816)		RB4514	1-234-892-21	RES, CHIP NETWORK 33X8 (3816)	
RB2717	1-234-944-21	RES, NETWORK 47	(1005X4)	RB4515	1-234-380-21	RES, NETWORK 47K	(1005X4)
RB2718	1-234-799-21	RES, CHIP NETWORK 10KX8 (3816)		RB4516	1-234-380-21	RES, NETWORK 47K	(1005X4)
RB2720	1-234-944-21	RES, NETWORK 47	(1005X4)	RB4517	1-234-795-21	RES, NETWORK 0X4	(2010)
RB2723	1-234-381-21	RES, NETWORK 100K	(1005X4)	RB4596	1-234-795-21	RES, NETWORK 0X4	(2010)
RB2724	1-239-710-11	RESISTOR, NETWORK 100K		RB4597	1-234-887-21	RES, CHIP NETWORK 0X8 (3816)	
RB2727	1-239-670-81	RESISTOR, NETWORK 47		RB4598	1-234-795-21	RES, NETWORK 0X4	(2010)
RB2728	1-234-944-21	RES, NETWORK 47	(1005X4)	RB4599	1-234-887-21	RES, CHIP NETWORK 0X8 (3816)	
RB2729	1-234-702-11	RES, NETWORK 68	(1005X4)	RB4603	1-234-943-21	RES, NETWORK 22	(1005X4)
RB2730	1-239-670-81	RESISTOR, NETWORK 47		RB4604	1-234-943-21	RES, NETWORK 22	(1005X4)
RB2732	1-239-670-81	RESISTOR, NETWORK 47		RB4605	1-234-943-21	RES, NETWORK 22	(1005X4)
RB2735	1-234-381-21	RES, NETWORK 100K	(1005X4)	RB4608	1-234-944-21	RES, NETWORK 47	(1005X4)
RB2736	1-234-943-21	RES, NETWORK 22	(1005X4)	RB4609	1-234-795-21	RES, NETWORK 0X4	(2010)
RB2737	1-234-381-21	RES, NETWORK 100K	(1005X4)	RB4611	1-234-711-21	RES, CHIP NETWORK 22X8 (3816)	
RB2902	1-234-710-21	RES, CHIP NETWORK 47X8 (3816)		RB4612	1-234-711-21	RES, CHIP NETWORK 22X8 (3816)	
RB2903	1-234-710-21	RES, CHIP NETWORK 47X8 (3816)		RB4613	1-234-711-21	RES, CHIP NETWORK 22X8 (3816)	
RB2904	1-234-710-21	RES, CHIP NETWORK 47X8 (3816)		RB4614	1-246-204-21	RES, CHIP NETWORK 600X8 (3816)	
RB2905	1-234-710-21	RES, CHIP NETWORK 47X8 (3816)		RB4615	1-246-204-21	RES, CHIP NETWORK 600X8 (3816)	
RB2906	1-234-710-21	RES, CHIP NETWORK 47X8 (3816)		RB4616	1-246-204-21	RES, CHIP NETWORK 600X8 (3816)	
RB2907	1-234-944-21	RES, NETWORK 47	(1005X4)	RB4617	1-234-944-21	RES, NETWORK 47	(1005X4)
RB2908	1-234-377-21	RES, NETWORK 4.7K	(1005X4)	RB4618	1-234-378-11	RES, NETWORK 10K	(1005X4)
RB2911	1-234-710-21	RES, CHIP NETWORK 47X8 (3816)		RB4619	1-234-944-21	RES, NETWORK 47	(1005X4)
RB2912	1-234-710-21	RES, CHIP NETWORK 47X8 (3816)		RB5115	1-234-944-21	RES, NETWORK 47	(1005X4)
RB2913	1-234-710-21	RES, CHIP NETWORK 47X8 (3816)		RB5127	1-234-799-21	RES, CHIP NETWORK 10KX8 (3816)	
RB2914	1-234-710-21	RES, CHIP NETWORK 47X8 (3816)		RB5128	1-234-378-11	RES, NETWORK 10K	(1005X4)
RB2915	1-234-710-21	RES, CHIP NETWORK 47X8 (3816)		RB5200	1-234-369-21	RES, NETWORK 10	(1005X4)

NOTE: The components identified by shading and \triangle mark are critical for safety. Replace only with part number specified.

NOTE: Les composants identifiés par un trame et une marque \triangle sont critiques pour la sécurité. Ne les remplacer que par une pièce portant le numéro spécifié.



REF. NO.	PART NO.	DESCRIPTION	VALUES	REF. NO.	PART NO.	DESCRIPTION	VALUES
RB5201	1-234-369-21	RES, NETWORK 10	(1005X4)	VARISTOR			
RB5202	1-234-369-21	RES, NETWORK 10	(1005X4)	VD4300	1-805-774-21	VARISTOR, CHIP	
RB5203	1-234-369-21	RES, NETWORK 10	(1005X4)	VD4301	1-805-774-21	VARISTOR, CHIP	
RB5204	1-234-369-21	RES, NETWORK 10	(1005X4)	VD4600	1-804-988-21	VARISTOR, CHIP	(1608)
RB5400	1-234-702-11	RES, NETWORK 68	(1005X4)	VD4601	1-804-988-21	VARISTOR, CHIP	(1608)
				VD4602	1-804-988-21	VARISTOR, CHIP	(1608)
RB5409	1-234-944-21	RES, NETWORK 47	(1005X4)				
RB5416	1-234-944-21	RES, NETWORK 47	(1005X4)	VD4603	1-804-988-21	VARISTOR, CHIP	(1608)
RB5417	1-234-378-11	RES, NETWORK 10K	(1005X4)	VD4604	1-804-988-21	VARISTOR, CHIP	(1608)
RB5418	1-234-943-21	RES, NETWORK 22	(1005X4)	CRYSTAL			
RB5419	1-234-378-11	RES, NETWORK 10K	(1005X4)	X2100	1-781-646-21	VIBRATOR, CERAMIC	
				X2101	1-813-462-11	VIBRATOR, CRYSTAL	24.576MHZ
RB5420	1-234-944-21	RES, NETWORK 47	(1005X4)	X2900	1-813-990-11	QUARTS CRYSTAL	30MHZ
RB5421	1-234-710-21	RES, CHIP NETWORK 47X8	(3816)	X4900	1-813-985-11	QUARTZ CRYSTAL OSCILLATOR	
RB5427	1-234-943-21	RES, NETWORK 22	(1005X4)	X4901	1-814-023-11	QUARTS CRYSTAL UNIT	
RB5432	1-234-378-11	RES, NETWORK 10K	(1005X4)	X4902	1-813-984-11	OSCILLATOR, CRYSTAL	
RB5433	1-234-378-11	RES, NETWORK 10K	(1005X4)	GF1			
				A-1361-280-C GF1 BOARD, COMPLETE (KDL-40VL130 ONLY)			
RB5434	1-245-943-21	RES, CHIP NETWORK 68X8	(3816)	2-580-592-01		SCREW, +PSW M3X8	
RB5435	1-245-943-21	RES, CHIP NETWORK 68X8	(3816)	CAPACITOR			
RB5436	1-234-711-21	RES, CHIP NETWORK 22X8	(3816)	\triangle C6006	1-114-153-51	CERAMIC	680pF 10% 250V
RB5437	1-234-711-21	RES, CHIP NETWORK 22X8	(3816)	\triangle C6007	1-119-892-51	CERAMIC	470pF 10% 250V
RB5438	1-234-943-21	RES, NETWORK 22	(1005X4)	\triangle C6010	1-114-153-51	CERAMIC	680pF 10% 250V
				\triangle C6011	1-119-892-51	CERAMIC	470pF 10% 250V
RB5439	1-234-943-21	RES, NETWORK 22	(1005X4)	\triangle C6012	1-165-533-11	MYLAR	0.68 μ F 10% 275V
RB5441	1-234-943-21	RES, NETWORK 22	(1005X4)	C6014	1-161-964-91	CERAMIC	0.0047 μ F 250V
RB5443	1-234-943-21	RES, NETWORK 22	(1005X4)	C6015	1-161-964-91	CERAMIC	0.0047 μ F 250V
RB5444	1-234-887-21	RES, CHIP NETWORK 0X8	(3816)	C6016	1-135-361-11	ELECT(BLOCK)	180 μ F 20% 450V
RB5445	1-234-799-21	RES, CHIP NETWORK 10KX8	(3816)	C6017	1-135-361-11	ELECT(BLOCK)	180 μ F 20% 450V
				C6019	1-163-021-91	CERAMIC CHIP	0.01 μ F 10% 50V
RB5446	1-245-943-21	RES, CHIP NETWORK 68X8	(3816)	C6020	1-163-021-91	CERAMIC CHIP	0.01 μ F 10% 50V
RB5447	1-234-785-21	RES, CHIP NETWORK 100X8	(3816)	C6024	1-119-887-51	CERAMIC	1000pF 20% 250V
RB5448	1-234-785-21	RES, CHIP NETWORK 100X8	(3816)	C6100	1-162-970-11	CERAMIC CHIP	0.01 μ F 10% 25V
RB5449	1-234-710-21	RES, CHIP NETWORK 47X8	(3816)	C6101	1-100-831-91	CERAMIC CHIP	0.001 μ F 2% 50V
				C6102	1-107-906-11	ELECT	10 μ F 20% 50V
RB5450	1-234-710-21	RES, CHIP NETWORK 47X8	(3816)	C6103	1-107-905-11	ELECT	4.7 μ F 20% 50V
RB5451	1-234-785-21	RES, CHIP NETWORK 100X8	(3816)	C6104	1-107-910-11	ELECT	100 μ F 20% 50V
RB5452	1-234-785-21	RES, CHIP NETWORK 100X8	(3816)	C6106	1-162-970-11	CERAMIC CHIP	0.01 μ F 10% 25V
RB5453	1-234-711-21	RES, CHIP NETWORK 22X8	(3816)	C6107	1-107-888-11	ELECT	47 μ F 20% 25V
RB5454	1-234-711-21	RES, CHIP NETWORK 22X8	(3816)	C6108	1-115-340-11	CERAMIC CHIP	0.22 μ F 10% 25V
RB5455	1-234-892-21	RES, CHIP NETWORK 33X8	(3816)				
RB5456	1-234-892-21	RES, CHIP NETWORK 33X8	(3816)				
RB5502	1-245-943-21	RES, CHIP NETWORK 68X8	(3816)				
RB5503	1-234-943-21	RES, NETWORK 22	(1005X4)				
RB5504	1-234-943-21	RES, NETWORK 22	(1005X4)				
RB5505	1-234-943-21	RES, NETWORK 22	(1005X4)				
RB5600	1-234-943-21	RES, NETWORK 22	(1005X4)				

NOTE: The components identified by shading and \triangle mark are critical for safety. Replace only with part number specified.

NOTE: Les composants identifiés par un trame et une marque \triangle sont critiques pour la sécurité. Ne les remplacer que par une pièce portant le numéro spécifié.

REF. NO.	PART NO.	DESCRIPTION	VALUES			REF. NO.	PART NO.	DESCRIPTION	VALUES		
C6111	1-100-731-11	FILM	22000pF	3%	1KV	C6521	1-107-906-11	ELECT	10μF	20%	50V
C6112	1-163-021-91	CERAMIC CHIP	0.01μF	10%	50V	C6522	1-162-970-11	CERAMIC CHIP	0.01μF	10%	25V
C6150	1-104-760-11	CERAMIC CHIP	0.047μF	10%	50V						
C6152	1-112-229-21	ELECT	1500μF	20%	16V			CONNECTOR			
C6153	1-112-229-21	ELECT	1500μF	20%	16V			\triangle * CN6000	1-793-660-11	PIN, CONNECTOR (PC BOARD)	
								* CN6150	1-793-235-11	PIN, CONNECTOR (PC BOARD)	13P
C6155	1-162-970-11	CERAMIC CHIP	0.01μF	10%	25V			* CN6151	1-785-703-21	PIN, CONNECTOR (PC BOARD)	6P
C6160	1-112-231-21	ELECT	2200μF	20%	16V			* CN6152	1-778-853-11	PIN, CONNECTOR (PC BOARD)	8P
C6162	1-162-970-11	CERAMIC CHIP	0.01μF	10%	25V			* CN6154	1-785-708-11	PIN, CONNECTOR (PC BOARD)	12P
C6165	1-112-835-11	ELECT	3300μF	20%	25V			\triangle * CN6501	1-793-660-11	PIN, CONNECTOR (PC BOARD)	
C6167	1-115-339-11	CERAMIC CHIP	0.1μF	10%	50V			\triangle * CN6502	1-793-660-11	PIN, CONNECTOR (PC BOARD)	
C6200	1-107-826-11	CERAMIC CHIP	0.1μF	10%	16V			DIODE			
C6201	1-162-927-11	CERAMIC CHIP	100pF	5%	50V	D6000	8-719-054-89	DIODE			D15XB60
C6202	1-107-902-11	ELECT	1μF	20%	50V	D6100	8-719-081-67	DIODE			M1FM3
C6203	1-100-139-31	FILM	0.001μF	5%	630V	D6101	6-500-137-01	DIODE			BAT54HT1
C6204	1-107-903-11	ELECT	2.2μF	20%	50V	D6102	6-501-774-01	DIODE			MAZ8150G0LS0
						D6104	8-719-979-64	DIODE			UF4005/23
C6205	1-107-910-11	ELECT	100μF	20%	50V			D6105	8-719-081-67	DIODE	M1FM3
C6206	1-162-964-11	CERAMIC CHIP	0.001μF	10%	50V	D6150	6-501-545-01	DIODE			SG10SC6-F5
C6209	1-162-970-11	CERAMIC CHIP	0.01μF	10%	25V	D6151	6-501-545-01	DIODE			SG10SC6-F5
C6250	1-128-949-31	ELECT	470μF	20%	16V	D6153	6-501-545-01	DIODE			SG10SC6-F5
C6251	1-107-826-11	CERAMIC CHIP	0.1μF	10%	16V	D6201	8-719-058-74	DIODE			05NU42-TPA2
								D6202	6-501-817-01	DIODE	MA2J1110GLS0
C6302	1-162-964-11	CERAMIC CHIP	0.001μF	10%	50V	D6203	6-500-567-31	DIODE			10ERB20-TB3
C6303	1-165-908-11	CERAMIC CHIP	1μF	10%	10V	D6204	6-500-567-31	DIODE			10ERB20-TB3
C6304	1-100-566-91	CERAMIC CHIP	0.1μF	10%	25V	D6250	6-501-526-01	DIODE			D1NS6-TR2
C6305	1-162-964-11	CERAMIC CHIP	0.001μF	10%	50V	D6305	6-501-817-01	DIODE			MA2J1110GLS0
C6306	1-162-970-11	CERAMIC CHIP	0.01μF	10%	25V			D6306	6-501-817-01	DIODE	MA2J1110GLS0
								D6307	6-501-817-01	DIODE	MA2J1110GLS0
C6307	1-162-964-11	CERAMIC CHIP	0.001μF	10%	50V	D6308	6-501-818-01	DIODE			MA2J1130GLS0
C6310	1-162-964-11	CERAMIC CHIP	0.001μF	10%	50V	D6400	6-501-774-01	DIODE			MAZ8150G0LS0
C6402	1-162-970-11	CERAMIC CHIP	0.01μF	10%	25V	D6401	6-500-335-01	DIODE			MC2838-T112-1
C6405	1-107-826-11	CERAMIC CHIP	0.1μF	10%	16V			D6402	6-501-817-01	DIODE	MA2J1110GLS0
C6407	1-107-877-11	ELECT	1000μF	20%	10V			D6405	6-500-335-01	DIODE	MC2838-T112-1
								D6406	6-501-758-01	DIODE	MAZ8100G0LS0
C6408	1-165-908-11	CERAMIC CHIP	1μF	10%	10V			D6500	6-500-335-01	DIODE	MC2838-T112-1
C6410	1-107-826-11	CERAMIC CHIP	0.1μF	10%	16V			D6502	6-500-137-01	DIODE	BAT54HT1
\triangle C6500	1-112-744-61	MYLAR	1μF	10%	450V			D6503	6-501-817-01	DIODE	MA2J1110GLS0
\triangle C6501	1-112-188-11	MYLAR	1.5μF	5%	450V			* D6506	8-719-055-38	DIODE	SF5L60
\triangle C6503	1-112-188-11	MYLAR	1.5μF	5%	450V			D6507	6-501-818-01	DIODE	MA2J1130GLS0
								D6508	6-501-818-01	DIODE	MA2J1130GLS0
C6505	1-162-968-11	CERAMIC CHIP	0.0047μF	10%	50V			D6509	6-500-108-01	DIODE	EP05FA20
C6506	1-162-964-11	CERAMIC CHIP	0.001μF	10%	50V			D6512	6-501-817-01	DIODE	MA2J1110GLS0
C6507	1-162-966-11	CERAMIC CHIP	0.0022μF	10%	50V						
C6508	1-100-566-91	CERAMIC CHIP	0.1μF	10%	25V						
C6510	1-107-902-11	ELECT	1μF	20%	50V						
C6511	1-164-315-11	CERAMIC CHIP	470pF	5%	50V						
C6512	1-162-959-11	CERAMIC CHIP	330pF	5%	50V						
C6517	1-100-566-91	CERAMIC CHIP	0.1μF	10%	25V						
C6518	1-107-906-11	ELECT	10μF	20%	50V						

NOTE: The components identified by shading and \triangle mark are critical for safety. Replace only with part number specified.

NOTE: Les composants identifiés par un trame et une marque \triangle sont critiques pour la sécurité. Ne les remplacer que par une pièce portant le numéro spécifié.

REF. NO.	PART NO.	DESCRIPTION	VALUES	REF. NO.	PART NO.	DESCRIPTION	VALUES
<u>GROUND TERMINAL BOARD</u>				JR6011	1-216-295-91	SHORT CHIP	
ET6000	1-537-770-21	TERMINAL BOARD, GROUND		JR6012	1-216-296-11	SHORT CHIP	
ET6001	1-537-770-21	TERMINAL BOARD, GROUND		JR6013	1-216-296-11	SHORT CHIP	
ET6002	1-537-770-21	TERMINAL BOARD, GROUND		JR6014	1-216-864-11	SHORT CHIP	
ET6003	1-537-770-21	TERMINAL BOARD, GROUND		JR6015	1-216-864-11	SHORT CHIP	
<u>FUSE</u>				JR6018	1-216-296-11	SHORT CHIP	
\triangle F6000	1-576-233-51	FUSE	6.3A 250V	JR6019	1-216-296-11	SHORT CHIP	
<u>FERRITE BEAD</u>				JR6021	1-216-296-11	SHORT CHIP	
FB6001	1-410-396-41	FERRITE	0.45 μ H	JR6022	1-216-296-11	SHORT CHIP	
FB6002	1-410-396-41	FERRITE	0.45 μ H	JR6023	1-216-295-91	SHORT CHIP	
FB6100	1-412-911-11	FERRITE	0 μ H	JR6024	1-216-296-11	SHORT CHIP	
FB6101	1-412-911-11	FERRITE	0 μ H	JR6026	1-216-864-11	SHORT CHIP	
FB6150	1-412-911-11	FERRITE	0 μ H	JR6028	1-216-864-11	SHORT CHIP	
FB6151	1-412-911-11	FERRITE	0 μ H	<u>COIL</u>			
FB6152	1-412-911-11	FERRITE	0 μ H	L6150	1-406-659-11	INDUCTOR	10 μ H
FB6153	1-412-911-11	FERRITE	0 μ H	L6152	1-406-657-11	INDUCTOR	4.7 μ H
FB6501	1-412-911-11	FERRITE	0 μ H	L6250	1-414-183-41	INDUCTOR	10 μ H
FB6502	1-412-911-11	FERRITE	0 μ H	\triangle L6500	1-457-277-11	INDUCTOR	260 μ H
<u>FUSE HOLDER</u>				\triangle L6502	1-457-445-11	INDUCTOR	290 μ H
\triangle FH6000	1-533-223-11	FUSE HOLDER	0A 0V	<u>PHOTO COUPLER</u>			
\triangle FH6001	1-533-223-11	FUSE HOLDER	0A 0V	\triangle PH6100	6-600-187-01	PHOTO COUPLER	PC123Y22JOOF
<u>IC</u>				\triangle PH6200	6-600-187-01	PHOTO COUPLER	PC123Y22JOOF
IC6100	6-707-749-01	IC	CXD9841P	\triangle PH6300	6-600-187-01	PHOTO COUPLER	PC123Y22JOOF
IC6150	6-709-368-01	IC	MM1431ATT (CN)	\triangle PH6301	6-600-187-01	PHOTO COUPLER	PC123Y22JOOF
IC6200	6-708-801-01	IC	MIP2H2	\triangle PH6302	6-600-187-01	PHOTO COUPLER	PC123Y22JOOF
IC6250	6-709-368-01	IC	MM1431ATT (CN)	\triangle PH6303	6-600-187-01	PHOTO COUPLER	PC123Y22JOOF
IC6300	6-709-368-01	IC	MM1431ATT (CN)	<u>TRANSISTOR</u>			
IC6301	6-709-368-01	IC	MM1431ATT (CN)	Q6100	6-551-302-01	TRANSISTOR	2SK3561(LBS1SONY,Q
IC6500	6-709-791-01	IC	L6562N	Q6101	6-551-302-01	TRANSISTOR	2SK3561(LBS1SONY,Q
<u>CHIP CONDUCTOR</u>				Q6301	8-729-620-07	TRANSISTOR	2SC3052EF-T1-LEF
JR6001	1-216-295-91	SHORT CHIP		Q6303	8-729-804-41	TRANSISTOR	2SB1122-S
JR6002	1-216-295-91	SHORT CHIP		Q6304	8-729-620-07	TRANSISTOR	2SC3052EF-T1-LEF
JR6003	1-216-296-11	SHORT CHIP		Q6307	8-729-620-07	TRANSISTOR	2SC3052EF-T1-LEF
JR6004	1-216-296-11	SHORT CHIP		Q6402	8-729-620-07	TRANSISTOR	2SC3052EF-T1-LEF
JR6005	1-216-296-11	SHORT CHIP		Q6403	8-729-620-07	TRANSISTOR	2SC3052EF-T1-LEF
JR6006	1-216-296-11	SHORT CHIP		Q6404	6-551-696-01	TRANSISTOR	ISA1235AC1TP-1EF
JR6007	1-216-295-91	SHORT CHIP		Q6405	6-551-696-01	TRANSISTOR	ISA1235AC1TP-1EF
JR6008	1-216-295-91	SHORT CHIP		Q6406	8-729-620-07	TRANSISTOR	2SC3052EF-T1-LEF
JR6009	1-216-296-11	SHORT CHIP		Q6407	8-729-620-07	TRANSISTOR	2SC3052EF-T1-LEF
JR6010	1-216-296-11	SHORT CHIP		Q6408	8-729-620-07	TRANSISTOR	2SC3052EF-T1-LEF
				Q6500	8-729-620-07	TRANSISTOR	2SC3052EF-T1-LEF
				Q6501	6-551-696-01	TRANSISTOR	ISA1235AC1TP-1EF

GF1

REF. NO.	PART NO.	DESCRIPTION	VALUES			REF. NO.	PART NO.	DESCRIPTION	VALUES		
Q6502	6-551-336-01	TRANSISTOR	2SK3934(LBS1SONY.Q			R6252	1-216-805-11	METAL CHIP	47	5%	1/10W
Q6503	6-551-336-01	TRANSISTOR	2SK3934(LBS1SONY.Q			R6254	1-218-871-11	METAL CHIP	10K	0.50%	1/10W
Q6505	8-729-804-41	TRANSISTOR	2SB1122-S								
Q6506	6-551-696-01	TRANSISTOR	ISA1235AC1TP-1EF			R6255	1-218-871-11	METAL CHIP	10K	0.50%	1/10W
		RESISTOR				R6302	1-218-903-11	METAL CHIP	220K	0.50%	1/10W
R6009	1-240-251-92	METAL	6.8	5%	10W	R6303	1-218-885-11	METAL CHIP	39K	0.50%	1/10W
R6014	1-216-857-11	METAL CHIP	1M	5%	1/10W	R6304	1-218-863-11	METAL CHIP	4.7K	0.50%	1/10W
R6015	1-216-857-11	METAL CHIP	1M	5%	1/10W	R6305	1-216-845-11	METAL CHIP	100K	5%	1/10W
R6100	1-218-885-11	METAL CHIP	39K	0.50%	1/10W	R6307	1-216-829-11	METAL CHIP	4.7K	5%	1/10W
R6102	1-218-863-11	METAL CHIP	4.7K	0.50%	1/10W	R6308	1-216-849-11	METAL CHIP	220K	5%	1/10W
						R6309	1-218-865-11	METAL CHIP	5.6K	0.50%	1/10W
R6103	1-218-823-11	METAL CHIP	100	0.50%	1/10W	R6310	1-216-833-11	METAL CHIP	10K	5%	1/10W
R6104	1-218-877-11	METAL CHIP	18K	0.50%	1/10W	R6311	1-216-829-11	METAL CHIP	4.7K	5%	1/10W
R6106	1-208-854-11	METAL CHIP	1M	0.50%	1/10W						
R6107	1-208-854-11	METAL CHIP	1M	0.50%	1/10W	R6312	1-216-841-11	METAL CHIP	47K	5%	1/10W
R6108	1-208-854-11	METAL CHIP	1M	0.50%	1/10W	R6315	1-216-821-11	METAL CHIP	1K	5%	1/10W
						R6317	1-216-829-11	METAL CHIP	4.7K	5%	1/10W
R6109	1-208-854-11	METAL CHIP	1M	0.50%	1/10W	R6318	1-216-864-11	SHORT CHIP			
R6110	1-202-933-61	FUSIBLE	0.1	10%	1/2W	R6319	1-216-821-11	METAL CHIP	1K	5%	1/10W
R6111	1-218-760-11	METAL CHIP	220K	0.50%	1/10W						
R6112	1-218-877-11	METAL CHIP	18K	0.50%	1/10W	R6320	1-216-837-11	METAL CHIP	22K	5%	1/10W
R6115	1-218-823-11	METAL CHIP	100	0.50%	1/10W	R6321	1-216-833-11	METAL CHIP	10K	5%	1/10W
						R6323	1-243-596-71	METAL OXIDE	47K	5%	2W
R6116	1-216-009-91	RES-CHIP	22	5%	1/10W	R6324	1-216-839-11	METAL CHIP	33K	5%	1/10W
R6117	1-216-009-91	RES-CHIP	22	5%	1/10W	R6328	1-216-864-11	SHORT CHIP			
R6118	1-216-833-11	METAL CHIP	10K	5%	1/10W						
R6119	1-216-833-11	METAL CHIP	10K	5%	1/10W	R6332	1-249-385-11	CARBON	2.2	5%	1/4W
R6121	1-243-949-71	METAL OXIDE	0.47	5%	2W	R6402	1-216-864-11	SHORT CHIP			
						R6404	1-216-821-11	METAL CHIP	1K	5%	1/10W
R6122	1-216-857-11	METAL CHIP	1M	5%	1/10W	R6405	1-216-845-11	METAL CHIP	100K	5%	1/10W
R6123	1-218-847-11	METAL CHIP	1K	0.50%	1/10W	R6406	1-216-833-11	METAL CHIP	10K	5%	1/10W
R6126	1-243-949-71	METAL OXIDE	0.47	5%	2W						
R6150	1-216-821-11	METAL CHIP	1K	5%	1/10W	R6407	1-216-833-11	METAL CHIP	10K	5%	1/10W
R6151	1-216-821-11	METAL CHIP	1K	5%	1/10W	R6408	1-216-821-11	METAL CHIP	1K	5%	1/10W
						R6410	1-216-864-11	SHORT CHIP			
R6152	1-216-821-11	METAL CHIP	1K	5%	1/10W	R6411	1-216-833-11	METAL CHIP	10K	5%	1/10W
R6153	1-218-867-11	METAL CHIP	6.8K	0.50%	1/10W	R6412	1-216-864-11	SHORT CHIP			
R6154	1-218-873-11	METAL CHIP	12K	0.50%	1/10W						
R6156	1-218-863-11	METAL CHIP	4.7K	0.50%	1/10W	R6413	1-216-839-11	METAL CHIP	33K	5%	1/10W
R6157	1-216-841-11	METAL CHIP	47K	5%	1/10W	R6414	1-216-817-11	METAL CHIP	470	5%	1/10W
						R6415	1-216-839-11	METAL CHIP	33K	5%	1/10W
R6164	1-216-841-11	METAL CHIP	47K	5%	1/10W	R6416	1-216-833-11	METAL CHIP	10K	5%	1/10W
R6165	1-216-793-11	METAL CHIP	4.7	5%	1/10W	R6418	1-216-821-11	METAL CHIP	1K	5%	1/10W
R6200	1-212-958-00	FUSIBLE	10	5%	1/2W						
R6201	1-218-865-11	METAL CHIP	5.6K	0.50%	1/10W	R6419	1-216-821-11	METAL CHIP	1K	5%	1/10W
R6202	1-243-725-71	METAL OXIDE	100K	5%	1W	R6420	1-216-845-11	METAL CHIP	100K	5%	1/10W
						R6428	1-216-821-11	METAL CHIP	1K	5%	1/10W
R6203	1-249-385-11	CARBON	2.2	5%	1/4W	R6429	1-216-833-11	METAL CHIP	10K	5%	1/10W
R6250	1-216-821-11	METAL CHIP	1K	5%	1/10W	R6430	1-216-833-11	METAL CHIP	10K	5%	1/10W
R6251	1-216-825-11	METAL CHIP	2.2K	5%	1/10W						

NOTE: The components identified by shading and \triangle mark are critical for safety. Replace only with part number specified.

NOTE: Les composants identifiés par un trame et une marque \triangle sont critiques pour la sécurité. Ne les remplacer que par une pièce portant le numéro spécifié.

GF1 GF2

REF. NO.	PART NO.	DESCRIPTION	VALUES			REF. NO.	PART NO.	DESCRIPTION	VALUES		
R6433	1-216-821-11	METAL CHIP	1K	5%	1/10W	R6544	1-208-840-11	METAL CHIP	270K	0.50%	1/10W
R6434	1-216-829-11	METAL CHIP	4.7K	5%	1/10W	R6545	1-218-861-11	METAL CHIP	3.9K	0.50%	1/10W
R6436	1-216-833-11	METAL CHIP	10K	5%	1/10W	R6546	1-218-877-11	METAL CHIP	18K	0.50%	1/10W
R6437	1-216-833-11	METAL CHIP	10K	5%	1/10W	R6547	1-216-864-11	SHORT CHIP			
R6438	1-216-821-11	METAL CHIP	1K	5%	1/10W	R6571	1-216-829-11	METAL CHIP	4.7K	5%	1/10W
R6439	1-216-833-11	METAL CHIP	10K	5%	1/10W	RELAY					
R6440	1-216-839-11	METAL CHIP	33K	5%	1/10W	\triangle RY6000	1-755-516-11	RELAY (AC POWER)			
R6441	1-216-833-11	METAL CHIP	10K	5%	1/10W	TRANSFORMER					
R6442	1-216-837-11	METAL CHIP	22K	5%	1/10W	\triangle T6100	1-445-275-11	CONVERTER TRANSFORMER (PIT)			
\triangle R6500	1-218-760-11	METAL CHIP	220K	0.50%	1/10W	\triangle T6200	1-445-279-11	CONVERTER TRANSFORMER (SBT)			
\triangle R6501	1-218-760-11	METAL CHIP	220K	0.50%	1/10W	THERMISTOR					
\triangle R6502	1-208-830-11	METAL CHIP	100K	0.50%	1/10W	TH6301	1-809-789-71	THERMISTOR, POSITIVE			
\triangle R6503	1-208-830-11	METAL CHIP	100K	0.50%	1/10W	VARISTOR					
\triangle R6504	1-218-760-11	METAL CHIP	220K	0.50%	1/10W	\triangle VD6000	1-804-996-21	VARISTOR			
\triangle R6505	1-218-760-11	METAL CHIP	220K	0.50%	1/10W	\triangle VD6001	1-804-996-21	VARISTOR			
\triangle R6506	1-208-830-11	METAL CHIP	100K	0.50%	1/10W	GF2					
R6510	1-216-841-11	METAL CHIP	47K	5%	1/10W	A-1362-553-B GF2 BOARD, COMPLETE					
R6511	1-216-817-11	METAL CHIP	470	5%	1/10W	(ALL EXCEPT KDL-40VL130)					
R6512	1-215-882-00	METAL OXIDE	22	5%	2W	2-580-592-01 SCREW, +PSW M3X8					
R6514	1-216-845-11	METAL CHIP	100K	5%	1/10W	CAPACITOR					
R6515	1-216-817-11	METAL CHIP	470	5%	1/10W	\triangle C6006	1-114-153-51	CERAMIC	680pF	10%	250V
R6516	1-216-833-11	METAL CHIP	10K	5%	1/10W	\triangle C6007	1-119-892-51	CERAMIC	470pF	10%	250V
R6517	1-216-823-11	METAL CHIP	1.5K	5%	1/10W	\triangle C6010	1-114-153-51	CERAMIC	680pF	10%	250V
R6518	1-216-841-11	METAL CHIP	47K	5%	1/10W	\triangle C6011	1-119-892-51	CERAMIC	470pF	10%	250V
R6520	1-216-833-11	METAL CHIP	10K	5%	1/10W	\triangle C6012	1-165-533-11	MYLAR	0.68 μ F	10	275V
R6521	1-216-833-11	METAL CHIP	10K	5%	1/10W	C6014	1-161-964-91	CERAMIC	0.0047 μ F		250V
R6522	1-216-797-11	METAL CHIP	10	5%	1/10W	C6015	1-161-964-91	CERAMIC	0.0047 μ F		250V
R6523	1-216-797-11	METAL CHIP	10	5%	1/10W	C6016	1-135-361-11	ELECT(BLOCK)	180 μ F	20%	450V
R6524	1-243-550-71	METAL OXIDE	6.8	5%	2W	C6017	1-135-361-11	ELECT(BLOCK)	180 μ F	20%	450V
R6525	1-249-417-11	CARBON	1K	5%	1/4W	C6019	1-163-021-91	CERAMIC CHIP	0.01 μ F	10%	50V
R6526	1-249-401-11	CARBON	47	5%	1/4W	C6020	1-163-021-91	CERAMIC CHIP	0.01 μ F	10%	50V
R6527	1-249-401-11	CARBON	47	5%	1/4W	C6021	1-119-887-51	CERAMIC	1000pF	20%	250V
R6530	1-208-840-11	METAL CHIP	270K	0.50%	1/10W	C6100	1-162-970-11	CERAMIC CHIP	0.01 μ F	10%	25V
R6531	1-218-760-11	METAL CHIP	220K	0.50%	1/10W	C6101	1-100-831-91	CERAMIC CHIP	0.001 μ F	2%	50V
R6532	1-218-760-11	METAL CHIP	220K	0.50%	1/10W	C6102	1-107-906-11	ELECT	10 μ F	20%	50V
R6533	1-218-760-11	METAL CHIP	220K	0.50%	1/10W	C6103	1-107-905-11	ELECT	4.7 μ F	20%	50V
R6534	1-208-834-11	METAL CHIP	150K	0.50%	1/10W	C6104	1-107-910-11	ELECT	100 μ F	20%	50V
R6535	1-218-867-11	METAL CHIP	6.8K	0.50%	1/10W						
R6536	1-218-823-11	METAL CHIP	100	0.50%	1/10W						
R6538	1-216-837-11	METAL CHIP	22K	5%	1/10W						
R6539	1-216-851-11	METAL CHIP	330K	5%	1/10W						
R6540	1-216-849-11	METAL CHIP	220K	5%	1/10W						
R6541	1-216-809-11	METAL CHIP	100	5%	1/10W						
R6542	1-208-846-11	METAL CHIP	470K	0.50%	1/10W						
R6543	1-208-840-11	METAL CHIP	270K	0.50%	1/10W						

NOTE: The components identified by shading and \triangle mark are critical for safety. Replace only with part number specified.

NOTE: Les composants identifiés par un trame et une marque \triangle sont critiques pour la sécurité. Ne les remplacer que par une pièce portant le numéro spécifié.

REF. NO.	PART NO.	DESCRIPTION	VALUES			REF. NO.	PART NO.	DESCRIPTION	VALUES		
C6106	1-162-970-11	CERAMIC CHIP	0.01 μ F	10%	25V	C6511	1-164-315-11	CERAMIC CHIP	470pF	5%	50V
C6107	1-107-888-11	ELECT	47 μ F	20%	25V	C6512	1-162-959-11	CERAMIC CHIP	330pF	5%	50V
C6108	1-115-340-11	CERAMIC CHIP	0.22 μ F	10%	25V	C6517	1-100-566-91	CERAMIC CHIP	0.1 μ F	10%	25V
C6111	1-100-731-11	FILM	22000pF	3%	1KV	C6518	1-107-906-11	ELECT	10 μ F	20%	50V
C6112	1-163-021-91	CERAMIC CHIP	0.01 μ F	10%	50V	C6521	1-107-906-11	ELECT	10 μ F	20%	50V
C6150	1-104-760-11	CERAMIC CHIP	0.047 μ F	10%	50V	C6522	1-162-970-11	CERAMIC CHIP	0.01 μ F	10%	25V
C6152	1-112-229-21	ELECT	1500 μ F	20%	16V	CONNECTOR					
C6153	1-112-229-21	ELECT	1500 μ F	20%	16V	\triangle * CN6000	1-793-660-11	PIN, CONNECTOR (PC BOARD)			
C6155	1-162-970-11	CERAMIC CHIP	0.01 μ F	10%	25V	* CN6150	1-793-235-11	PIN, CONNECTOR (PC BOARD)	13P		
C6160	1-112-231-21	ELECT	2200 μ F	20%	16V	* CN6151	1-785-703-21	PIN, CONNECTOR (PC BOARD)	6P		
C6162	1-162-970-11	CERAMIC CHIP	0.01 μ F	10%	25V	* CN6152	1-778-853-11	PIN, CONNECTOR (PC BOARD)	8P		
C6165	1-112-835-11	ELECT	3300 μ F	20%	25V	* CN6154	1-785-708-11	PIN, CONNECTOR (PC BOARD)	12P		
C6167	1-115-339-11	CERAMIC CHIP	0.1 μ F	10%	50V	\triangle * CN6501	1-793-660-11	PIN, CONNECTOR (PC BOARD)			
C6200	1-107-826-11	CERAMIC CHIP	0.1 μ F	10%	16V	\triangle * CN6502	1-793-660-11	PIN, CONNECTOR (PC BOARD)			
C6201	1-162-927-11	CERAMIC CHIP	100pF	5%	50V	DIODE					
C6202	1-107-902-11	ELECT	1 μ F	20%	50V	D6000	8-719-054-89	DIODE	D15XB60		
C6203	1-100-139-31	FILM	0.001 μ F	5%	630V	D6100	8-719-081-67	DIODE	M1FM3		
C6204	1-107-903-11	ELECT	2.2 μ F	20%	50V	D6101	6-500-137-01	DIODE	BAT54HT1		
C6205	1-107-910-11	ELECT	100 μ F	20%	50V	D6102	6-501-774-01	DIODE	MAZ8150G0LS0		
C6206	1-162-964-11	CERAMIC CHIP	0.001 μ F	10%	50V	D6104	8-719-979-64	DIODE	μ F4005/23		
C6209	1-162-970-11	CERAMIC CHIP	0.01 μ F	10%	25V	D6105	8-719-081-67	DIODE	M1FM3		
C6250	1-128-949-31	ELECT	470 μ F	20%	16V	D6150	6-501-545-01	DIODE	SG10SC6-F5		
C6251	1-107-826-11	CERAMIC CHIP	0.1 μ F	10%	16V	D6151	6-501-545-01	DIODE	SG10SC6-F5		
C6302	1-162-964-11	CERAMIC CHIP	0.001 μ F	10%	50V	D6153	6-501-545-01	DIODE	SG10SC6-F5		
C6303	1-165-908-11	CERAMIC CHIP	1 μ F	10%	10V	D6201	8-719-058-74	DIODE	05NU42-TPA2		
C6304	1-100-566-91	CERAMIC CHIP	0.1 μ F	10%	25V	D6202	6-501-817-01	DIODE	MA2J1110GLS0		
C6305	1-162-964-11	CERAMIC CHIP	0.001 μ F	10%	50V	D6203	6-500-567-31	DIODE	10ERB20-TB3		
C6306	1-162-970-11	CERAMIC CHIP	0.01 μ F	10%	25V	D6204	6-500-567-31	DIODE	10ERB20-TB3		
C6307	1-162-964-11	CERAMIC CHIP	0.001 μ F	10%	50V	D6250	6-501-526-01	DIODE	D1NS6-TR2		
C6310	1-162-964-11	CERAMIC CHIP	0.001 μ F	10%	50V	D6305	6-501-817-01	DIODE	MA2J1110GLS0		
C6402	1-162-970-11	CERAMIC CHIP	0.01 μ F	10%	25V	D6306	6-501-817-01	DIODE	MA2J1110GLS0		
C6405	1-107-826-11	CERAMIC CHIP	0.1 μ F	10%	16V	D6307	6-501-817-01	DIODE	MA2J1110GLS0		
C6407	1-107-877-11	ELECT	1000 μ F	20%	10V	D6308	6-501-818-01	DIODE	MA2J1130GLS0		
C6408	1-165-908-11	CERAMIC CHIP	1 μ F	10%	10V	D6400	6-501-774-01	DIODE	MAZ8150G0LS0		
C6410	1-107-826-11	CERAMIC CHIP	0.1 μ F	10%	16V	D6401	6-500-335-01	DIODE	MC2838-T112-1		
\triangle C6500	1-165-825-11	MYLAR	2.2 μ F	5%	450V	D6402	6-501-817-01	DIODE	MA2J1110GLS0		
\triangle C6501	1-165-825-11	MYLAR	2.2 μ F	5%	450V	D6405	6-500-335-01	DIODE	MC2838-T112-1		
\triangle C6503	1-165-825-11	MYLAR	2.2 μ F	5%	450V	D6406	6-501-758-01	DIODE	MAZ8100G0LS0		
C6505	1-162-968-11	CERAMIC CHIP	0.0047 μ F	10%	50V	D6500	6-500-335-01	DIODE	MC2838-T112-1		
C6506	1-162-964-11	CERAMIC CHIP	0.001 μ F	10%	50V	D6502	6-500-137-01	DIODE	BAT54HT1		
C6507	1-162-966-11	CERAMIC CHIP	0.0022 μ F	10%	50V	D6503	6-501-817-01	DIODE	MA2J1110GLS0		
C6508	1-100-566-91	CERAMIC CHIP	0.1 μ F	10%	25V	* D6506	8-719-055-38	DIODE	SF5L60		
C6510	1-107-902-11	ELECT	1 μ F	20%	50V	D6507	6-501-818-01	DIODE	MA2J1130GLS0		

NOTE: The components identified by shading and \triangle mark are critical for safety. Replace only with part number specified.

NOTE: Les composants identifiés par un trame et une marque \triangle sont critiques pour la sécurité. Ne les remplacer que par une pièce portant le numéro spécifié.

REF. NO.	PART NO.	DESCRIPTION	VALUES	REF. NO.	PART NO.	DESCRIPTION	VALUES
D6508	6-501-818-01	DIODE	MA2J1130GLS0	JR6006	1-216-296-11	SHORT CHIP	
D6509	6-500-108-01	DIODE	EP05FA20	JR6007	1-216-295-91	SHORT CHIP	
D6512	6-501-817-01	DIODE	MA2J1110GLS0	JR6008	1-216-864-11	SHORT CHIP	
<u>EARTH TERMINAL</u>				JR6009	1-216-296-11	SHORT CHIP	
ET6000	1-537-770-21	TERMINAL BOARD, GROUND		JR6010	1-216-296-11	SHORT CHIP	
ET6001	1-537-770-21	TERMINAL BOARD, GROUND		JR6011	1-216-295-91	SHORT CHIP	
ET6002	1-537-770-21	TERMINAL BOARD, GROUND		JR6012	1-216-296-11	SHORT CHIP	
ET6003	1-537-770-21	TERMINAL BOARD, GROUND		JR6013	1-216-296-11	SHORT CHIP	
<u>FUSE</u>				JR6014	1-216-864-11	SHORT CHIP	
\triangle F6000	1-576-233-51	FUSE	6.3A 250V	JR6015	1-216-296-11	SHORT CHIP	
<u>FERRITE BEAD</u>				JR6018	1-216-296-11	SHORT CHIP	
FB6001	1-410-396-41	FERRITE	0.45 μ H	JR6019	1-216-296-11	SHORT CHIP	
FB6002	1-410-396-41	FERRITE	0.45 μ H	JR6020	1-216-296-11	SHORT CHIP	
FB6100	1-412-911-11	FERRITE	0 μ H	JR6021	1-216-296-11	SHORT CHIP	
FB6101	1-412-911-11	FERRITE	0 μ H	JR6022	1-216-296-11	SHORT CHIP	
FB6150	1-412-911-11	FERRITE	0 μ H	JR6023	1-216-296-11	SHORT CHIP	
FB6151	1-412-911-11	FERRITE	0 μ H	JR6025	1-216-295-91	SHORT CHIP	
FB6152	1-412-911-11	FERRITE	0 μ H	JR6026	1-216-296-11	SHORT CHIP	
FB6153	1-412-911-11	FERRITE	0 μ H	JR6027	1-216-296-11	SHORT CHIP	
FB6501	1-412-911-11	FERRITE	0 μ H	JR6028	1-216-296-11	SHORT CHIP	
FB6502	1-412-911-11	FERRITE	0 μ H	JR6029	1-216-864-11	SHORT CHIP	
<u>FUSE HOLDER</u>				<u>COIL</u>			
\triangle FH6000	1-533-223-11	FUSE HOLDER	0A 0V	L6150	1-406-659-11	INDUCTOR	10 μ H
\triangle FH6001	1-533-223-11	FUSE HOLDER	0A 0V	L6152	1-406-657-11	INDUCTOR	4.7 μ H
<u>IC</u>				L6250	1-414-183-41	INDUCTOR	10 μ H
IC6100	6-707-749-01	IC	CXD9841P	\triangle L6503	1-457-445-11	INDUCTOR	290 μ H
IC6150	6-709-368-01	IC	MM1431ATT (CN)	\triangle L6504	1-457-277-11	INDUCTOR	260 μ H
IC6200	6-708-801-01	IC	MIP2H2	<u>PHOTO COUPLER</u>			
IC6250	6-709-368-01	IC	MM1431ATT (CN)	\triangle PH6100	6-600-187-01	PHOTO COUPLER	PC123Y22JOOF
IC6300	6-709-368-01	IC	MM1431ATT (CN)	\triangle PH6200	6-600-187-01	PHOTO COUPLER	PC123Y22JOOF
IC6301	6-709-368-01	IC	MM1431ATT (CN)	\triangle PH6300	6-600-187-01	PHOTO COUPLER	PC123Y22JOOF
IC6500	6-709-791-01	IC	L6562N	\triangle PH6301	6-600-187-01	PHOTO COUPLER	PC123Y22JOOF
<u>CHIP CONDUCTOR</u>				\triangle PH6302	6-600-187-01	PHOTO COUPLER	PC123Y22JOOF
JR6001	1-216-864-11	SHORT CHIP		\triangle PH6303	6-600-187-01	PHOTO COUPLER	PC123Y22JOOF
JR6002	1-216-295-91	SHORT CHIP		<u>TRANSISTOR</u>			
JR6003	1-216-296-11	SHORT CHIP		Q6100	6-551-302-01	TRANSISTOR	2SK3561(LBS1SONY,Q
JR6004	1-216-296-11	SHORT CHIP		Q6101	6-551-302-01	TRANSISTOR	2SK3561(LBS1SONY,Q
JR6005	1-216-296-11	SHORT CHIP		Q6301	8-729-620-07	TRANSISTOR	2SC3052EF-T1-LEF
				Q6303	8-729-804-41	TRANSISTOR	2SB1122-S
				Q6304	8-729-620-07	TRANSISTOR	2SC3052EF-T1-LEF
				Q6307	8-729-620-07	TRANSISTOR	2SC3052EF-T1-LEF
				Q6402	8-729-620-07	TRANSISTOR	2SC3052EF-T1-LEF
				Q6403	8-729-620-07	TRANSISTOR	2SC3052EF-T1-LEF



REF. NO.	PART NO.	DESCRIPTION	VALUES	REF. NO.	PART NO.	DESCRIPTION	VALUES
Q6404	6-551-696-01	TRANSISTOR	ISA1235AC1TP-1EF	R6164	1-216-841-11	METAL CHIP	47K 5% 1/10W
Q6405	6-551-696-01	TRANSISTOR	ISA1235AC1TP-1EF	R6165	1-216-793-11	METAL CHIP	4.7 5% 1/10W
Q6406	8-729-620-07	TRANSISTOR	2SC3052EF-T1-LF	R6200	1-212-958-00	FUSIBLE	10 5% 1/2W
Q6407	8-729-620-07	TRANSISTOR	2SC3052EF-T1-LF	R6201	1-218-865-11	METAL CHIP	5.6K 0.50% 1/10W
Q6408	8-729-620-07	TRANSISTOR	2SC3052EF-T1-LF	R6202	1-243-725-71	METAL OXIDE	100K 5% 1W
Q6500	8-729-620-07	TRANSISTOR	2SC3052EF-T1-LF	R6203	1-249-385-11	CARBON	2.2 5% 1/4W
Q6501	6-551-696-01	TRANSISTOR	ISA1235AC1TP-1EF	R6250	1-216-821-11	METAL CHIP	1K 5% 1/10W
Q6502	6-551-336-01	TRANSISTOR	2SK3934(LBS1SONY.Q	R6251	1-216-825-11	METAL CHIP	2.2K 5% 1/10W
Q6503	6-551-336-01	TRANSISTOR	2SK3934(LBS1SONY.Q	R6252	1-216-805-11	METAL CHIP	47 5% 1/10W
Q6506	8-729-804-41	TRANSISTOR	2SB1122-S	R6254	1-218-871-11	METAL CHIP	10K 0.50% 1/10W
Q6507	6-551-696-01	TRANSISTOR	ISA1235AC1TP-1EF	R6255	1-218-871-11	METAL CHIP	10K 0.50% 1/10W
RESISTOR				R6302	1-218-903-11	METAL CHIP	220K 0.50% 1/10W
R6009	1-240-251-92	METAL	6.8 5% 10W	R6303	1-218-885-11	METAL CHIP	39K 0.50% 1/10W
R6014	1-216-857-11	METAL CHIP	1M 5% 1/10W	R6304	1-218-863-11	METAL CHIP	4.7K 0.50% 1/10W
R6015	1-216-857-11	METAL CHIP	1M 5% 1/10W	R6305	1-216-845-11	METAL CHIP	100K 5% 1/10W
R6100	1-218-885-11	METAL CHIP	39K 0.50% 1/10W	R6307	1-216-829-11	METAL CHIP	4.7K 5% 1/10W
R6102	1-218-863-11	METAL CHIP	4.7K 0.50% 1/10W	R6308	1-216-849-11	METAL CHIP	220K 5% 1/10W
R6103	1-218-823-11	METAL CHIP	100 0.50% 1/10W	R6309	1-218-865-11	METAL CHIP	5.6K 0.50% 1/10W
R6104	1-218-877-11	METAL CHIP	18K 0.50% 1/10W	R6310	1-216-833-11	METAL CHIP	10K 5% 1/10W
R6106	1-208-854-11	METAL CHIP	1M 0.50% 1/10W	R6311	1-216-829-11	METAL CHIP	4.7K 5% 1/10W
R6107	1-208-854-11	METAL CHIP	1M 0.50% 1/10W	R6312	1-216-841-11	METAL CHIP	47K 5% 1/10W
R6108	1-208-854-11	METAL CHIP	1M 0.50% 1/10W	R6315	1-216-821-11	METAL CHIP	1K 5% 1/10W
R6109	1-208-854-11	METAL CHIP	1M 0.50% 1/10W	R6317	1-216-829-11	METAL CHIP	4.7K 5% 1/10W
R6110	1-202-933-61	FUSIBLE	0.1 10% 1/2W	R6318	1-216-864-11	SHORT CHIP	
R6111	1-218-760-11	METAL CHIP	220K 0.50% 1/10W	R6319	1-216-821-11	METAL CHIP	1K 5% 1/10W
R6112	1-218-877-11	METAL CHIP	18K 0.50% 1/10W	R6320	1-216-837-11	METAL CHIP	22K 5% 1/10W
R6115	1-218-823-11	METAL CHIP	100 0.50% 1/10W	R6321	1-216-833-11	METAL CHIP	10K 5% 1/10W
R6116	1-216-009-91	RES-CHIP	22 5% 1/10W	R6323	1-243-596-71	METAL OXIDE	47K 5% 2W
R6117	1-216-009-91	RES-CHIP	22 5% 1/10W	R6324	1-216-839-11	METAL CHIP	33K 5% 1/10W
R6118	1-216-833-11	METAL CHIP	10K 5% 1/10W	R6328	1-216-864-11	SHORT CHIP	
R6119	1-216-833-11	METAL CHIP	10K 5% 1/10W	R6332	1-249-385-11	CARBON	2.2 5% 1/4W
R6121	1-243-949-71	METAL OXIDE	0.47 5% 2W	R6402	1-216-864-11	SHORT CHIP	
R6122	1-216-857-11	METAL CHIP	1M 5% 1/10W	R6404	1-216-821-11	METAL CHIP	1K 5% 1/10W
R6123	1-218-847-11	METAL CHIP	1K 0.50% 1/10W	R6405	1-216-845-11	METAL CHIP	100K 5% 1/10W
R6126	1-243-949-71	METAL OXIDE	0.47 5% 2W	R6406	1-216-833-11	METAL CHIP	10K 5% 1/10W
R6150	1-216-821-11	METAL CHIP	1K 5% 1/10W	R6407	1-216-833-11	METAL CHIP	10K 5% 1/10W
R6151	1-216-821-11	METAL CHIP	1K 5% 1/10W	R6408	1-216-821-11	METAL CHIP	1K 5% 1/10W
R6152	1-216-821-11	METAL CHIP	1K 5% 1/10W	R6410	1-216-864-11	SHORT CHIP	
R6153	1-218-867-11	METAL CHIP	6.8K 0.50% 1/10W	R6411	1-216-833-11	METAL CHIP	10K 5% 1/10W
R6154	1-218-873-11	METAL CHIP	12K 0.50% 1/10W	R6412	1-216-864-11	SHORT CHIP	
R6156	1-218-863-11	METAL CHIP	4.7K 0.50% 1/10W	R6413	1-216-839-11	METAL CHIP	33K 5% 1/10W
R6157	1-216-841-11	METAL CHIP	47K 5% 1/10W	R6414	1-216-817-11	METAL CHIP	470 5% 1/10W
				R6415	1-216-839-11	METAL CHIP	33K 5% 1/10W
				R6416	1-216-833-11	METAL CHIP	10K 5% 1/10W
				R6418	1-216-821-11	METAL CHIP	1K 5% 1/10W



REF. NO.	PART NO.	DESCRIPTION	VALUES	REF. NO.	PART NO.	DESCRIPTION	VALUES
<u>IC</u>				HW1			
D7021	6-500-254-01	DIODE	MM3Z7V5T1				
<u>EARTH TERMINAL</u>							
ET7020	1-780-482-11	EARTH TERMINAL					
ET7021	1-780-482-11	EARTH TERMINAL					
<u>FERRITE BEAD</u>							
FB7020	1-400-333-21	FERRITE	0μH				
FB7021	1-400-333-21	FERRITE	0μH				
FB7022	1-400-461-21	FERRITE	0μH				
<u>JACK</u>							
J7020	1-821-115-11	PHONO JACK (RIGHT ANGLE)					
J7021	1-815-325-11	JACK					
<u>RESISTOR</u>							
R7023	1-216-864-11	SHORT CHIP					
R7025	1-216-864-11	SHORT CHIP					
R7030	1-216-864-11	SHORT CHIP					
R7032	1-216-813-11	METAL CHIP	220 5% 1/10W				
R7035	1-216-813-11	METAL CHIP	220 5% 1/10W				
R7038	1-216-864-11	SHORT CHIP					
R7039	1-216-864-11	SHORT CHIP					
R7041	1-216-813-11	METAL CHIP	220 5% 1/10W				
R7045	1-216-864-11	SHORT CHIP					
R7046	1-216-857-11	METAL CHIP	1M 5% 1/10W				
R7047	1-216-857-11	METAL CHIP	1M 5% 1/10W				
R7049	1-216-801-11	METAL CHIP	22 5% 1/10W				
R7053	1-216-809-11	METAL CHIP	100 5% 1/10W				
R7056	1-216-809-11	METAL CHIP	100 5% 1/10W				
R7150	1-216-825-11	METAL CHIP	2.2K 5% 1/10W				
R7151	1-216-825-11	METAL CHIP	2.2K 5% 1/10W				
<u>VARISTOR</u>							
VD7020	1-803-974-21	VARISTOR, CHIP	(1608)				
VD7021	1-803-974-21	VARISTOR, CHIP	(1608)				
VD7022	1-803-974-21	VARISTOR, CHIP	(1608)				
VD7025	1-803-974-21	VARISTOR, CHIP	(1608)				
VD7026	1-803-974-21	VARISTOR, CHIP	(1608)				
<u>HW1</u>							
*	A-1226-202-B	HW1 BOARD, MOUNTED					
<u>CAPACITOR</u>							
C7000	1-100-906-11	CERAMIC CHIP	0.01μF 10% 16V				
C7001	1-100-906-11	CERAMIC CHIP	0.01μF 10% 16V				
<u>CONNECTOR</u>							
*	CN7000	1-819-472-11	HEADER ASSEMBLY FOR PWB				
CN7001	1-821-132-11	HEADER ASSEMBLY FOR PWB					
<u>DIODE</u>							
D7000	8-719-914-44	DIODE	DAP202K				
<u>RESISTOR</u>							
R7000	1-218-825-11	METAL CHIP	120 0.50% 1/10W				
R7001	1-218-827-11	METAL CHIP	150 0.50% 1/10W				
R7002	1-218-833-11	METAL CHIP	270 0.50% 1/10W				
R7003	1-218-841-11	METAL CHIP	560 0.50% 1/10W				
R7004	1-218-851-11	METAL CHIP	1.5K 0.50% 1/10W				
R7005	1-218-990-81	SHORT CHIP					
R7006	1-218-990-81	SHORT CHIP					
R7007	1-218-990-81	SHORT CHIP					
<u>SWITCH</u>							
S7000	1-572-595-11	SWITCH, TACTILE (REFLOW TYPE)					
S7001	1-572-595-11	SWITCH, TACTILE (REFLOW TYPE)					
S7002	1-572-595-11	SWITCH, TACTILE (REFLOW TYPE)					
S7003	1-572-595-11	SWITCH, TACTILE (REFLOW TYPE)					
S7004	1-572-595-11	SWITCH, TACTILE (REFLOW TYPE)					
S7005	1-572-595-11	SWITCH, TACTILE (REFLOW TYPE)					
S7006	1-572-595-11	SWITCH, TACTILE (REFLOW TYPE)					
<u>VARISTOR</u>							
VD7000	1-803-974-21	VARISTOR, CHIP	(1608)				
VD7001	1-803-974-21	VARISTOR, CHIP	(1608)				

HW2

REF. NO.	PART NO.	DESCRIPTION	VALUES			REF. NO.	PART NO.	DESCRIPTION	VALUES
HW2									
A-1361-955-A HW2 BOARD, COMPLETE (ALL EXCEPT KDL-40VL130)									
<u>CAPACITOR</u>									
C7029	1-124-779-00	ELECT CHIP	10μF	20%	16V				
C7030	1-124-779-00	ELECT CHIP	10μF	20%	16V				
C7031	1-164-872-11	CERAMIC CHIP	82pF	5%	50V				
C7034	1-114-214-81	CERAMIC CHIP	470pF	5%	50V				
C7036	1-114-214-81	CERAMIC CHIP	470pF	5%	50V				
C7037	1-164-874-11	CERAMIC CHIP	100pF	5%	50V				
C7038	1-100-905-11	CERAMIC CHIP	0.001μF	10%	50V				
C7060	1-100-907-11	CERAMIC CHIP	0.1μF	10%	10V				
C7061	1-100-906-11	CERAMIC CHIP	0.01μF	10%	16V				
C7062	1-100-906-11	CERAMIC CHIP	0.01μF	10%	16V				
C7063	1-100-905-11	CERAMIC CHIP	0.001μF	10%	50V				
C7064	1-100-905-11	CERAMIC CHIP	0.001μF	10%	50V				
C7065	1-124-779-00	ELECT CHIP	10μF	20%	16V				
C7066	1-124-779-00	ELECT CHIP	10μF	20%	16V				
C7067	1-100-906-11	CERAMIC CHIP	0.01μF	10%	16V				
C7068	1-125-777-11	CERAMIC CHIP	0.1μF	10%	10V				
C7069	1-100-905-11	CERAMIC CHIP	0.001μF	10%	50V				
C7070	1-100-905-11	CERAMIC CHIP	0.001μF	10%	50V				
C7071	1-100-909-11	CERAMIC CHIP	10μF	10%	6.3V				
C7072	1-100-905-11	CERAMIC CHIP	0.001μF	10%	50V				
C7073	1-100-905-11	CERAMIC CHIP	0.001μF	10%	50V				
C7074	1-112-774-11	CERAMIC CHIP	470pF	10%	50V				
C7075	1-100-906-11	CERAMIC CHIP	0.01μF	10%	16V				
C7076	1-124-779-00	ELECT CHIP	10μF	20%	16V				
C7077	1-100-905-11	CERAMIC CHIP	0.001μF	10%	50V				
C7078	1-100-905-11	CERAMIC CHIP	0.001μF	10%	50V				
C7079	1-112-064-11	CERAMIC CHIP	2.2μF	10%	10V				
C7080	1-125-777-11	CERAMIC CHIP	0.1μF	10%	10V				
C7081	1-124-779-00	ELECT CHIP	10μF	20%	16V				
C7082	1-100-905-11	CERAMIC CHIP	0.001μF	10%	50V				
<u>CONNECTOR</u>									
*	CN7022	1-820-581-11	HEADER ASSEMBLY FOR PWB						
*	CN7060	1-818-400-11	HDMI CONNECTOR						
	CN7061	1-820-667-11	HEADER ASSEMBLY FOR PWB						
					<u>DIODE</u>				
	D7021	6-501-745-01	DIODE				MAZ8075G0LS0		
	D7060	6-500-701-01	DIODE				PGB1010603NR		
	D7061	6-500-701-01	DIODE				PGB1010603NR		
	D7062	6-500-701-01	DIODE				PGB1010603NR		
	D7063	8-719-081-97	DIODE				MMDL914T1		
	D7064	8-719-081-97	DIODE				MMDL914T1		
	D7065	6-500-701-01	DIODE				PGB1010603NR		
					<u>EARTH TERMINAL</u>				
	ET7020	1-780-482-11	EARTH TERMINAL						
	ET7021	1-780-482-11	EARTH TERMINAL						
	* ET7060	1-780-431-11	ON-BOARD CONTACT						
	* ET7061	1-780-431-11	ON-BOARD CONTACT						
	* ET7062	1-780-431-11	ON-BOARD CONTACT						
					<u>FERRITE BEAD</u>				
	FB7020	1-400-333-21	FERRITE				0μH		
	FB7021	1-400-333-21	FERRITE				0μH		
	FB7022	1-400-461-21	FERRITE				0μH		
	FB7060	1-400-382-11	FERRITE				0μH		
	FB7061	1-469-082-21	FERRITE				0μH		
					<u>FILTER</u>				
	* FL7062	1-813-880-11	INDUCTOR				0μH		
	* FL7063	1-813-880-11	INDUCTOR				0μH		
	* FL7064	1-813-880-11	INDUCTOR				0μH		
	* FL7065	1-813-880-11	INDUCTOR				0μH		
					<u>IC</u>				
	IC7060	6-704-600-01	IC				M24C02-WMN6T(B)		
	IC7061	6-708-758-01	IC				PCA9517DP.118		
	IC7062	8-753-278-35	IC				CXB1443R-T4		
	IC7063	6-702-362-01	IC				MM1563DFBE		
					<u>JACK</u>				
	J7020	1-821-115-11	PHONO JACK (RIGHT ANGLE)						
	J7021	1-815-325-11	JACK						
					<u>TRANSISTOR</u>				
	Q7062	8-729-907-00	TRANSISTOR				DTC114EU		
	Q7063	8-729-907-00	TRANSISTOR				DTC114EU		

HW2

REF. NO.	PART NO.	DESCRIPTION	VALUES			REF. NO.	PART NO.	DESCRIPTION	VALUES		
RESISTOR						R7100	1-218-990-81	SHORT CHIP			
R7023	1-216-864-11	SHORT CHIP				R7101	1-218-990-81	SHORT CHIP			
R7025	1-216-864-11	SHORT CHIP				R7102	1-218-937-11	RES-CHIP	47	5%	1/16W
R7030	1-216-864-11	SHORT CHIP				R7103	1-218-937-11	RES-CHIP	47	5%	1/16W
R7032	1-216-813-11	METAL CHIP	220	5%	1/10W	R7104	1-218-937-11	RES-CHIP	47	5%	1/16W
R7035	1-216-813-11	METAL CHIP	220	5%	1/10W	R7105	1-218-990-81	SHORT CHIP			
R7038	1-216-864-11	SHORT CHIP				R7106	1-218-990-81	SHORT CHIP			
R7039	1-216-864-11	SHORT CHIP				R7107	1-218-990-81	SHORT CHIP			
R7041	1-216-813-11	METAL CHIP	220	5%	1/10W	R7109	1-218-965-11	RES-CHIP	10K	5%	1/16W
R7045	1-216-864-11	SHORT CHIP				R7110	1-218-990-81	SHORT CHIP			
R7046	1-216-857-11	METAL CHIP	1M	5%	1/10W	R7112	1-208-911-11	METAL CHIP	10K	0.50%	1/16W
R7047	1-216-857-11	METAL CHIP	1M	5%	1/10W	R7114	1-218-990-81	SHORT CHIP			
R7049	1-216-801-11	METAL CHIP	22	5%	1/10W	R7115	1-218-965-11	RES-CHIP	10K	5%	1/16W
R7053	1-216-809-11	METAL CHIP	100	5%	1/10W	R7117	1-218-990-81	SHORT CHIP			
R7056	1-216-809-11	METAL CHIP	100	5%	1/10W	R7150	1-216-825-11	METAL CHIP	2.2K	5%	1/10W
R7057	1-218-990-81	SHORT CHIP				R7151	1-216-825-11	METAL CHIP	2.2K	5%	1/10W
R7060	1-218-929-11	RES-CHIP	10	5%	1/16W	VARISTOR					
R7061	1-208-683-11	METAL CHIP	1K	0.50%	1/16W	VD7020	1-803-974-21	VARISTOR, CHIP	(1608)		
R7064	1-218-961-11	RES-CHIP	4.7K	5%	1/16W	VD7021	1-803-974-21	VARISTOR, CHIP	(1608)		
R7065	1-218-941-81	RES-CHIP	100	5%	1/16W	VD7022	1-803-974-21	VARISTOR, CHIP	(1608)		
R7066	1-218-941-81	RES-CHIP	100	5%	1/16W	VD7025	1-803-974-21	VARISTOR, CHIP	(1608)		
R7067	1-218-941-81	RES-CHIP	100	5%	1/16W	VD7026	1-803-974-21	VARISTOR, CHIP	(1608)		
R7068	1-218-973-11	RES-CHIP	47K	5%	1/16W	VD7060	1-802-245-11	ESD SUPPRESSOR			
R7069	1-218-973-11	RES-CHIP	47K	5%	1/16W	VD7061	1-802-245-11	ESD SUPPRESSOR			
R7070	1-218-990-81	SHORT CHIP				VD7062	1-802-245-11	ESD SUPPRESSOR			
R7071	1-218-990-81	SHORT CHIP				VD7063	1-802-245-11	ESD SUPPRESSOR			
R7074	1-218-929-11	RES-CHIP	10	5%	1/16W	VD7064	1-802-245-11	ESD SUPPRESSOR			
R7075	1-218-929-11	RES-CHIP	10	5%	1/16W	VD7065	1-802-245-11	ESD SUPPRESSOR			
R7076	1-218-929-11	RES-CHIP	10	5%	1/16W	VD7066	1-802-245-11	ESD SUPPRESSOR			
R7077	1-218-929-11	RES-CHIP	10	5%	1/16W	VD7067	1-802-245-11	ESD SUPPRESSOR			
R7078	1-218-929-11	RES-CHIP	10	5%	1/16W						
R7079	1-218-929-11	RES-CHIP	10	5%	1/16W						
R7080	1-218-929-11	RES-CHIP	10	5%	1/16W						
R7081	1-218-929-11	RES-CHIP	10	5%	1/16W						
R7083	1-218-990-81	SHORT CHIP									
R7087	1-208-911-11	METAL CHIP	10K	0.50%	1/16W						
R7089	1-218-990-81	SHORT CHIP									
R7090	1-218-990-81	SHORT CHIP									
R7091	1-208-911-11	METAL CHIP	10K	0.50%	1/16W						
R7093	1-218-937-11	RES-CHIP	47	5%	1/16W						
R7094	1-208-699-11	METAL CHIP	4.7K	0.50%	1/16W						
R7097	1-216-864-11	SHORT CHIP									
R7098	1-218-990-81	SHORT CHIP									
R7099	1-218-990-81	SHORT CHIP									

HW3

REF. NO.	PART NO.	DESCRIPTION	VALUES	REF. NO.	PART NO.	DESCRIPTION	VALUES
HW3							
*	A-1226-204-B	HW3 BOARD, MOUNTED					
	<u>CAPACITOR</u>						
C7155	1-126-205-11	ELECT CHIP	47μF 20% 6.3V	Q7155	8-729-907-00	TRANSISTOR	DTC114EU
C7156	1-100-907-11	CERAMIC CHIP	0.1μF 10% 10V	Q7156	8-729-907-00	TRANSISTOR	DTC114EU
C7157	1-100-905-11	CERAMIC CHIP	0.001μF 10% 50V	Q7157	8-729-028-73	TRANSISTOR	DTA114EUA-T106
C7170	1-126-391-11	ELECT CHIP	47μF 20% 6.3V	Q7158	8-729-028-73	TRANSISTOR	DTA114EUA-T106
C7171	1-100-907-11	CERAMIC CHIP	0.1μF 10% 10V	Q7159	8-729-907-00	TRANSISTOR	DTC114EU
C7172	1-100-907-11	CERAMIC CHIP	0.1μF 10% 10V	Q7170	6-550-586-01	TRANSISTOR	2PA1576R-115
C7173	1-164-882-11	CERAMIC CHIP	220pF 5% 16V	Q7171	8-729-907-00	TRANSISTOR	DTC114EU
C7174	1-100-907-11	CERAMIC CHIP	0.1μF 10% 10V	Q7172	6-550-586-01	TRANSISTOR	2PA1576R-115
C7179	1-100-905-11	CERAMIC CHIP	0.001μF 10% 50V			<u>RESISTOR</u>	
C7180	1-124-778-00	ELECT CHIP	22μF 20% 6.3V	R7150	1-216-823-11	METAL CHIP	1.5K 5% 1/10W
	<u>CONNECTOR</u>			R7153	1-216-819-11	METAL CHIP	680 5% 1/10W
*	CN7150	1-819-472-11	HEADER ASSEMBLY FOR PWB	R7154	1-216-815-11	METAL CHIP	330 5% 1/10W
	CN7152	1-821-138-11	HEADER ASSEMBLY FOR PWB	R7155	1-216-864-11	SHORT CHIP	
	<u>DIODE</u>			R7158	1-216-819-11	METAL CHIP	680 5% 1/10W
D7150	6-500-817-01	DIODE	(LED) SML-512UWT86	R7159	1-216-815-11	METAL CHIP	330 5% 1/10W
D7151	8-719-085-26	DIODE	CL-165HR/SYG-D-T	R7160	1-216-864-11	SHORT CHIP	
D7152	8-719-085-26	DIODE	CL-165HR/SYG-D-T	R7162	1-218-990-81	SHORT CHIP	
D7153	8-719-422-91	DIODE	MA8091	R7163	1-218-990-81	SHORT CHIP	
D7154	8-719-422-91	DIODE	MA8091	R7164	1-218-990-81	SHORT CHIP	
D7155	8-719-422-91	DIODE	MA8091	R7165	1-218-990-81	SHORT CHIP	
D7156	8-719-422-91	DIODE	MA8091	R7166	1-218-990-81	SHORT CHIP	
D7157	8-719-422-91	DIODE	MA8091	R7170	1-216-864-11	SHORT CHIP	
D7158	8-719-422-91	DIODE	MA8091	R7171	1-216-817-11	METAL CHIP	470 5% 1/10W
D7170	6-500-028-01	DIODE	MM3Z9V1ST1	R7172	1-216-864-11	SHORT CHIP	
	<u>IC</u>			R7173	1-216-833-11	METAL CHIP	10K 5% 1/10W
IC7170	6-600-502-01	HIC	GP1UE26RK0VF	R7175	1-216-823-11	METAL CHIP	1.5K 5% 1/10W
IC7171	6-600-447-01	IC	TPS853(SONY)	R7176	1-216-805-11	METAL CHIP	47 5% 1/10W
	<u>TRANSISTOR</u>			R7178	1-216-864-11	SHORT CHIP	
Q7150	8-729-028-91	TRANSISTOR	DTA144EUA-T106	R7179	1-216-844-11	METAL CHIP	82K 5% 1/10W
Q7151	8-729-029-14	TRANSISTOR	DTC144EUA-T106	R7180	1-216-833-11	METAL CHIP	10K 5% 1/10W
Q7152	8-729-907-00	TRANSISTOR	DTC114EU	R7181	1-216-839-11	METAL CHIP	33K 5% 1/10W
Q7153	8-729-028-73	TRANSISTOR	DTA114EUA-T106	R7183	1-216-821-11	METAL CHIP	1K 5% 1/10W
Q7154	8-729-028-73	TRANSISTOR	DTA114EUA-T106	R7184	1-216-864-11	SHORT CHIP	

TUU2


REF. NO.	PART NO.	DESCRIPTION	VALUES			REF. NO.	PART NO.	DESCRIPTION	VALUES		
TUU2						C1042	1-100-916-11	CERAMIC CHIP	0.1μF	10%	16V
A-1269-502-A TUU2 BOARD, MOUNTED						C1043	1-100-916-11	CERAMIC CHIP	0.1μF	10%	16V
(The tuner [FSS BTF-CA411Z] is part of the TUU2 Board and cannot be ordered separately.)						C1044	1-114-148-11	CERAMIC CHIP	1μF		6.3V
CAPACITOR						C1045	1-100-916-11	CERAMIC CHIP	0.1μF	10%	16V
C1000	1-112-777-11	CERAMIC CHIP	0.01μF	10%	25V	C1046	1-100-916-11	CERAMIC CHIP	0.1μF	10%	16V
C1001	1-114-148-11	CERAMIC CHIP	1μF		6.3V	C1047	1-114-148-11	CERAMIC CHIP	1μF		6.3V
C1002	1-112-777-11	CERAMIC CHIP	0.01μF	10%	25V	C1048	1-100-916-11	CERAMIC CHIP	0.1μF	10%	16V
C1003	1-100-905-11	CERAMIC CHIP	0.001μF	10%	50V	C1049	1-100-916-11	CERAMIC CHIP	0.1μF	10%	16V
C1004	1-128-361-11	ELECT CHIP	470μF	20%	10V	C1050	1-114-148-11	CERAMIC CHIP	1μF		6.3V
C1005	1-112-777-11	CERAMIC CHIP	0.01μF	10%	25V	C1051	1-100-916-11	CERAMIC CHIP	0.1μF	10%	16V
C1006	1-100-905-11	CERAMIC CHIP	0.001μF	10%	50V	C1052	1-100-916-11	CERAMIC CHIP	0.1μF	10%	16V
C1007	1-110-648-11	ELECT CHIP	220μF	20%	25V	C1053	1-100-916-11	CERAMIC CHIP	0.1μF	10%	16V
C1008	1-112-066-11	CERAMIC CHIP	10μF	10%	10V	C1054	1-100-909-11	CERAMIC CHIP	10μF	10%	6.3V
C1009	1-164-941-11	CERAMIC CHIP	0.0047μF	10%	16V	C1055	1-100-916-11	CERAMIC CHIP	0.1μF	10%	16V
C1010	1-112-794-11	ELECT CHIP	470μF	20%	16V	C1056	1-100-916-11	CERAMIC CHIP	0.1μF	10%	16V
C1012	1-135-366-11	ELECT CHIP	100μF	20%	16V	C1057	1-100-916-11	CERAMIC CHIP	0.1μF	10%	16V
C1019	1-100-909-11	CERAMIC CHIP	10μF	10%	6.3V	C1058	1-164-862-11	CERAMIC CHIP	33pF	5%	50V
C1020	1-100-909-11	CERAMIC CHIP	10μF	10%	6.3V	C1059	1-164-864-11	CERAMIC CHIP	39pF	5%	50V
C1021	1-100-909-11	CERAMIC CHIP	10μF	10%	6.3V	C1060	1-164-862-11	CERAMIC CHIP	33pF	5%	50V
C1022	1-100-916-11	CERAMIC CHIP	0.1μF	10%	16V	C1061	1-100-916-11	CERAMIC CHIP	0.1μF	10%	16V
C1023	1-112-777-11	CERAMIC CHIP	0.01μF	10%	25V	C1062	1-100-916-11	CERAMIC CHIP	0.1μF	10%	16V
C1024	1-100-905-11	CERAMIC CHIP	0.001μF	10%	50V	C1063	1-100-916-11	CERAMIC CHIP	0.1μF	10%	16V
C1025	1-100-909-11	CERAMIC CHIP	10μF	10%	6.3V	C1064	1-100-916-11	CERAMIC CHIP	0.1μF	10%	16V
C1026	1-114-148-11	CERAMIC CHIP	1μF		6.3V	C1065	1-100-916-11	CERAMIC CHIP	0.1μF	10%	16V
C1027	1-114-148-11	CERAMIC CHIP	1μF		6.3V	C1066	1-100-916-11	CERAMIC CHIP	0.1μF	10%	16V
C1028	1-114-148-11	CERAMIC CHIP	1μF		6.3V	C1067	1-100-916-11	CERAMIC CHIP	0.1μF	10%	16V
C1029	1-114-148-11	CERAMIC CHIP	1μF		6.3V	C1068	1-100-916-11	CERAMIC CHIP	0.1μF	10%	16V
C1030	1-114-148-11	CERAMIC CHIP	1μF		6.3V	C1069	1-100-916-11	CERAMIC CHIP	0.1μF	10%	16V
C1031	1-114-148-11	CERAMIC CHIP	1μF		6.3V	C1070	1-100-909-11	CERAMIC CHIP	10μF	10%	6.3V
C1032	1-100-916-11	CERAMIC CHIP	0.1μF	10%	16V	C1071	1-164-868-11	CERAMIC CHIP	56pF	5%	50V
C1033	1-100-916-11	CERAMIC CHIP	0.1μF	10%	16V	C1072	1-164-858-11	CERAMIC CHIP	22pF	5%	50V
C1034	1-100-916-11	CERAMIC CHIP	0.1μF	10%	16V	C1073	1-164-868-11	CERAMIC CHIP	56pF	5%	50V
C1035	1-100-916-11	CERAMIC CHIP	0.1μF	10%	16V	C1074	1-164-858-11	CERAMIC CHIP	22pF	5%	50V
C1036	1-100-916-11	CERAMIC CHIP	0.1μF	10%	16V	C1075	1-100-916-11	CERAMIC CHIP	0.1μF	10%	16V
C1037	1-100-916-11	CERAMIC CHIP	0.1μF	10%	16V	C1076	1-100-916-11	CERAMIC CHIP	0.1μF	10%	16V
C1038	1-100-916-11	CERAMIC CHIP	0.1μF	10%	16V	C1077	1-100-916-11	CERAMIC CHIP	0.1μF	10%	16V
C1039	1-100-916-11	CERAMIC CHIP	0.1μF	10%	16V	C1078	1-100-916-11	CERAMIC CHIP	0.1μF	10%	16V
C1040	1-100-916-11	CERAMIC CHIP	0.1μF	10%	16V	C1079	1-100-916-11	CERAMIC CHIP	0.1μF	10%	16V
C1041	1-100-916-11	CERAMIC CHIP	0.1μF	10%	16V	C1080	1-100-916-11	CERAMIC CHIP	0.1μF	10%	16V
						C1081	1-100-916-11	CERAMIC CHIP	0.1μF	10%	16V
						C1082	1-100-916-11	CERAMIC CHIP	0.1μF	10%	16V
						C1083	1-164-864-11	CERAMIC CHIP	39pF	5%	50V
						C1084	1-164-858-11	CERAMIC CHIP	22pF	5%	50V
						C1085	1-164-858-11	CERAMIC CHIP	22pF	5%	50V
						C1086	1-100-916-11	CERAMIC CHIP	0.1μF	10%	16V


TUU2

REF. NO.	PART NO.	DESCRIPTION	VALUES			REF. NO.	PART NO.	DESCRIPTION	VALUES		
C1087	1-100-916-11	CERAMIC CHIP	0.1μF	10%	16V	C1143	1-112-064-11	CERAMIC CHIP	2.2μF	10%	10V
C1088	1-100-916-11	CERAMIC CHIP	0.1μF	10%	16V	C1144	1-165-492-21	ELECT CHIP	100μF	20%	10V
C1089	1-100-916-11	CERAMIC CHIP	0.1μF	10%	16V	C1145	1-165-492-21	ELECT CHIP	100μF	20%	10V
C1091	1-100-916-11	CERAMIC CHIP	0.1μF	10%	16V	C1147	1-100-916-11	CERAMIC CHIP	0.1μF	10%	16V
C1092	1-100-916-11	CERAMIC CHIP	0.1μF	10%	16V	C1149	1-100-916-11	CERAMIC CHIP	0.1μF	10%	16V
C1093	1-112-777-11	CERAMIC CHIP	0.01μF	10%	25V	C1151	1-100-916-11	CERAMIC CHIP	0.1μF	10%	16V
C1094	1-100-916-11	CERAMIC CHIP	0.1μF	10%	16V	C1152	1-114-325-11	CERAMIC CHIP	0.1μF	10%	25V
C1095	1-128-993-21	ELECT CHIP	22μF	20%	10V	C1153	1-100-911-11	CERAMIC CHIP	4.7μF	10%	25V
C1096	1-100-916-11	CERAMIC CHIP	0.1μF	10%	16V	C1154	1-100-911-11	CERAMIC CHIP	4.7μF	10%	25V
C1097	1-112-777-11	CERAMIC CHIP	0.01μF	10%	25V	C1155	1-100-916-11	CERAMIC CHIP	0.1μF	10%	16V
C1099	1-112-064-11	CERAMIC CHIP	2.2μF	10%	10V	C1156	1-100-911-11	CERAMIC CHIP	4.7μF	10%	25V
C1100	1-112-067-11	CERAMIC CHIP	0.22μF	10%	16V	C1159	1-164-874-11	CERAMIC CHIP	100pF	5%	50V
C1102	1-164-862-11	CERAMIC CHIP	33pF	5%	50V	C1200	1-100-912-11	CERAMIC CHIP	1μF	10%	25V
C1103	1-164-862-11	CERAMIC CHIP	33pF	5%	50V	C1201	1-128-536-11	ELECT CHIP	100μF	20%	25V
C1104	1-164-840-11	CERAMIC CHIP	1pF	0.25pF	50V	C1202	1-110-501-11	CERAMIC CHIP	0.33μF	10%	16V
C1105	1-164-840-11	CERAMIC CHIP	1pF	0.25pF	50V	C1203	1-112-774-11	CERAMIC CHIP	470pF	10%	50V
C1106	1-164-858-11	CERAMIC CHIP	22pF	5%	50V	C1204	1-126-392-11	ELECT CHIP	100μF	20%	6.3V
C1107	1-164-858-11	CERAMIC CHIP	22pF	5%	50V	C1205	1-127-573-11	CERAMIC CHIP	1μF	10%	16V
C1108	1-128-536-11	ELECT CHIP	100μF	20%	25V	C1206	1-127-573-11	CERAMIC CHIP	1μF	10%	16V
C1109	1-128-993-21	ELECT CHIP	22μF	20%	10V	C1207	1-110-501-11	CERAMIC CHIP	0.33μF	10%	16V
C1110	1-100-916-11	CERAMIC CHIP	0.1μF	10%	16V	C1208	1-112-774-11	CERAMIC CHIP	470pF	10%	50V
C1113	1-112-777-11	CERAMIC CHIP	0.01μF	10%	25V	C1209	1-124-778-00	ELECT CHIP	22μF	20%	6.3V
C1114	1-112-064-11	CERAMIC CHIP	2.2μF	10%	10V	C1210	1-112-777-11	CERAMIC CHIP	0.01μF	10%	25V
C1115	1-112-775-11	CERAMIC CHIP	0.0022μF	10%	50V	C1211	1-112-777-11	CERAMIC CHIP	0.01μF	10%	25V
C1116	1-112-776-11	CERAMIC CHIP	0.0047μF	10%	50V	C1212	1-164-874-11	CERAMIC CHIP	100pF	5%	50V
C1118	1-128-361-11	ELECT CHIP	470μF	20%	10V	C1214	1-100-916-11	CERAMIC CHIP	0.1μF	10%	16V
C1119	1-112-777-11	CERAMIC CHIP	0.01μF	10%	25V	C1300	1-100-916-11	CERAMIC CHIP	0.1μF	10%	16V
C1120	1-114-332-11	CERAMIC CHIP	22μF	10%	6.3V	C1301	1-100-905-11	CERAMIC CHIP	0.001μF	10%	50V
C1121	1-100-905-11	CERAMIC CHIP	0.001μF	10%	50V	C1302	1-164-882-11	CERAMIC CHIP	220pF	5%	16V
C1123	1-114-183-11	ELECT CHIP	1000μF	20%	6.3V	C1303	1-164-882-11	CERAMIC CHIP	220pF	5%	16V
C1124	1-112-777-11	CERAMIC CHIP	0.01μF	10%	25V	C1305	1-112-777-11	CERAMIC CHIP	0.01μF	10%	25V
C1125	1-100-916-11	CERAMIC CHIP	0.1μF	10%	16V	CONNECTOR					
C1126	1-126-396-11	ELECT CHIP	47μF	20%	16V	CN1003	1-819-390-51	FFC/FPC CONNECTOR (ZIF)	49P		
C1127	1-112-777-11	CERAMIC CHIP	0.01μF	10%	25V	DIODE					
C1128	1-112-778-11	CERAMIC CHIP	0.022μF	10%	25V	D1001	6-501-336-01	DIODE	RSX201L-30TE25		
C1130	1-164-866-11	CERAMIC CHIP	47pF	5%	50V	D1002	6-500-019-01	DIODE	MM3Z3V9ST1		
C1131	1-164-866-11	CERAMIC CHIP	47pF	5%	50V	D1006	8-719-058-24	DIODE	RB501V-40TE-17		
C1133	1-164-862-11	CERAMIC CHIP	33pF	5%	50V	D1008	8-719-977-28	DIODE	DTZ10B		
C1134	1-100-916-11	CERAMIC CHIP	0.1μF	10%	16V	EARTH TERMINAL					
C1135	1-100-916-11	CERAMIC CHIP	0.1μF	10%	16V	ET1000	1-780-482-11	EARTH TERMINAL			
C1136	1-126-204-11	ELECT CHIP	47μF	20%	16V	ET1001	1-780-482-11	EARTH TERMINAL			
C1137	1-100-916-11	CERAMIC CHIP	0.1μF	10%	16V						
C1139	1-100-911-11	CERAMIC CHIP	4.7μF	10%	25V						
C1141	1-137-765-21	ELECT CHIP	47μF	20%	16V						
C1142	1-117-681-11	ELECT CHIP	100μF	20%	16V						

TUU2

REF. NO.	PART NO.	DESCRIPTION	VALUES			REF. NO.	PART NO.	DESCRIPTION	VALUES		
R1038	1-218-949-11	RES-CHIP	470	5%	1/16W	R1106	1-218-948-11	RES-CHIP	390	5%	1/16W
R1040	1-218-953-11	RES-CHIP	1K	5%	1/16W	R1107	1-208-691-11	METAL CHIP	2.2K	0.50%	1/16W
R1041	1-218-953-11	RES-CHIP	1K	5%	1/16W	R1108	1-218-990-81	SHORT CHIP			
R1042	1-218-953-11	RES-CHIP	1K	5%	1/16W	R1109	1-218-961-11	RES-CHIP	4.7K	5%	1/16W
R1043	1-218-929-11	RES-CHIP	10	5%	1/16W	R1110	1-218-941-81	RES-CHIP	100	5%	1/16W
R1044	1-208-711-11	METAL CHIP	15K	0.50%	1/16W	R1112	1-218-941-81	RES-CHIP	100	5%	1/16W
R1045	1-208-711-11	METAL CHIP	15K	0.50%	1/16W	R1114	1-218-965-11	RES-CHIP	10K	5%	1/16W
R1046	1-218-941-81	RES-CHIP	100	5%	1/16W	R1115	1-218-978-11	RES-CHIP	120K	5%	1/16W
R1047	1-218-941-81	RES-CHIP	100	5%	1/16W	R1116	1-218-990-81	SHORT CHIP			
R1048	1-218-929-11	RES-CHIP	10	5%	1/16W	R1128	1-218-957-11	RES-CHIP	2.2K	5%	1/16W
R1050	1-218-953-11	RES-CHIP	1K	5%	1/16W	R1129	1-218-957-11	RES-CHIP	2.2K	5%	1/16W
R1053	1-218-990-81	SHORT CHIP				R1130	1-218-929-11	RES-CHIP	10	5%	1/16W
R1054	1-218-990-81	SHORT CHIP				R1131	1-218-990-81	SHORT CHIP			
R1055	1-218-929-11	RES-CHIP	10	5%	1/16W	R1132	1-218-990-81	SHORT CHIP			
R1058	1-218-929-11	RES-CHIP	10	5%	1/16W	R1133	1-218-990-81	SHORT CHIP			
R1059	1-218-990-81	SHORT CHIP				R1134	1-218-969-11	RES-CHIP	22K	5%	1/16W
R1060	1-218-929-11	RES-CHIP	10	5%	1/16W	R1136	1-218-985-11	RES-CHIP	470K	5%	1/16W
R1061	1-218-990-81	SHORT CHIP				R1137	1-208-931-11	METAL CHIP	68K	0.50%	1/16W
R1064	1-218-990-81	SHORT CHIP				R1138	1-218-990-81	SHORT CHIP			
R1065	1-218-961-11	RES-CHIP	4.7K	5%	1/16W	R1139	1-208-703-11	METAL CHIP	6.8K	0.50%	1/16W
R1066	1-218-970-11	RES-CHIP	27K	5%	1/16W	R1140	1-218-933-11	RES-CHIP	22	5%	1/16W
R1067	1-218-941-81	RES-CHIP	100	5%	1/16W	R1141	1-218-933-11	RES-CHIP	22	5%	1/16W
R1070	1-208-929-81	METAL CHIP	56K	0.50%	1/16W	R1142	1-218-933-11	RES-CHIP	22	5%	1/16W
R1072	1-218-949-11	RES-CHIP	470	5%	1/16W	R1143	1-218-933-11	RES-CHIP	22	5%	1/16W
R1073	1-208-939-11	METAL CHIP	150K	0.50%	1/16W	R1148	1-218-929-11	RES-CHIP	10	5%	1/16W
R1076	1-218-959-11	RES-CHIP	3.3K	5%	1/16W	R1149	1-218-929-11	RES-CHIP	10	5%	1/16W
R1077	1-218-989-11	RES-CHIP	1M	5%	1/16W	R1156	1-218-965-11	RES-CHIP	10K	5%	1/16W
R1078	1-218-965-11	RES-CHIP	10K	5%	1/16W	R1159	1-218-965-11	RES-CHIP	10K	5%	1/16W
R1079	1-218-965-11	RES-CHIP	10K	5%	1/16W	R1160	1-218-990-81	SHORT CHIP			
R1086	1-218-953-11	RES-CHIP	1K	5%	1/16W	R1161	1-208-927-11	METAL CHIP	47K	0.50%	1/16W
R1087	1-208-935-11	METAL CHIP	100K	0.50%	1/16W	R1162	1-218-990-81	SHORT CHIP			
R1088	1-218-965-11	RES-CHIP	10K	5%	1/16W	R1163	1-208-927-11	METAL CHIP	47K	0.50%	1/16W
R1089	1-218-953-11	RES-CHIP	1K	5%	1/16W	R1165	1-218-953-11	RES-CHIP	1K	5%	1/16W
R1090	1-218-958-11	RES-CHIP	2.7K	5%	1/16W	R1167	1-208-905-11	METAL CHIP	5.6K	0.50%	1/16W
R1091	1-208-683-11	METAL CHIP	1K	0.50%	1/16W	R1169	1-218-990-81	SHORT CHIP			
R1093	1-208-691-11	METAL CHIP	2.2K	0.50%	1/16W	R1175	1-218-990-81	SHORT CHIP			
R1094	1-218-990-81	SHORT CHIP				R1200	1-218-953-11	RES-CHIP	1K	5%	1/16W
R1095	1-208-697-11	METAL CHIP	3.9K	0.50%	1/16W	R1201	1-218-947-11	RES-CHIP	330	5%	1/16W
R1096	1-218-958-11	RES-CHIP	2.7K	5%	1/16W	R1202	1-218-965-11	RES-CHIP	10K	5%	1/16W
R1097	1-208-691-11	METAL CHIP	2.2K	0.50%	1/16W	R1203	1-218-941-81	RES-CHIP	100	5%	1/16W
R1098	1-218-989-11	RES-CHIP	1M	5%	1/16W	R1205	1-218-961-11	RES-CHIP	4.7K	5%	1/16W
R1105	1-218-941-81	RES-CHIP	100	5%	1/16W	R1207	1-218-961-11	RES-CHIP	4.7K	5%	1/16W
						R1208	1-218-953-11	RES-CHIP	1K	5%	1/16W
						R1209	1-218-961-11	RES-CHIP	4.7K	5%	1/16W
						R1211	1-208-927-11	METAL CHIP	47K	0.50%	1/16W

NOTE: The components identified by shading and  mark are critical for safety. Replace only with part number specified.

NOTE: Les composants identifiés par un trame et une  marque sont critiques pour la sécurité. Ne les remplacer que par une pièce portant le numéro spécifié.



REF. NO.	PART NO.	DESCRIPTION	VALUES	REF. NO.	PART NO.	DESCRIPTION	VALUES
R1300	1-218-959-11	RES-CHIP	3.3K 5% 1/16W		X-2186-602-1	BAG ASSY, RUDDER LOCK (L) (ALL EXCEPT KDL-40VL130) (Contains the 3 items below)	
R1301	1-218-959-11	RES-CHIP	3.3K 5% 1/16W				
R1302	1-218-958-11	RES-CHIP	2.7K 5% 1/16W				
R1303	1-208-911-11	METAL CHIP	10K 0.50% 1/16W	*	X-2186-607-1	LOCK ASSY, RUDDER (Strap) (ALL EXCEPT KDL-40VL130)	
R1400	1-218-965-11	RES-CHIP	10K 5% 1/16W		2-593-320-02	SCREW, CION (M6X18)	
					2-580-663-01	SCREW, WOOD 3.8X20	
R1401	1-218-965-11	RES-CHIP	10K 5% 1/16W				
R1402	1-218-965-11	RES-CHIP	10K 5% 1/16W				
CRYSTAL							
X1000	1-813-946-21	VIBRATOR, CRYSTAL			2-678-265-01	BAG, PROTECTION (KDL-40VL130 Only)	
A2101	1-694-974-21	CONTACT TERMINAL		*	3-268-497-01	BAG, PROTECTION (ALL EXCEPT KDL-40VL130)	
A2102	1-694-974-21	CONTACT TERMINAL		*	3-268-761-01	CARTON, INDIVIDUAL (KDL-40VL130 Only)	
A2103	1-694-974-21	CONTACT TERMINAL		*	3-197-113-01	CARTON, INDIVIDUAL (KDL-52W3000 Only)	
A2104	1-694-974-21	CONTACT TERMINAL					
A4700	1-694-974-21	CONTACT TERMINAL			2-595-155-02	CLAMP	
A4701	1-694-974-21	CONTACT TERMINAL		*	3-217-310-01	CUSHION, LOWER (KDL-40VL130 Only)	
A4800	1-694-802-21	CONTACT TERMINAL		*	3-197-112-01	CUSHION, LOWER (ALL EXCEPT KDL-40VL130)	
A4801	1-694-802-21	CONTACT TERMINAL		*	3-217-309-01	CUSHION, UPPER (KDL-40VL130 Only)	
A4900	1-694-974-21	CONTACT TERMINAL		*	3-197-111-01	CUSHION, UPPER (ALL EXCEPT KDL-40VL130)	
A4901	1-694-974-21	CONTACT TERMINAL		*	3-281-183-01	CUSHION, UPPER (CENTER) (ALL EXCEPT KDL-40VL130)	
A4902	1-694-974-21	CONTACT TERMINAL					
A4903	1-694-974-21	CONTACT TERMINAL					
A4905	1-694-974-21	CONTACT TERMINAL					
					3-215-020-12	GUIDE, QUICK SET UP (KDL-40VL130 Only)	
					3-212-601-11	GUIDE, QUICK SET UP (English Version) (KDL-52W3000 Only)	
					3-212-601-21	GUIDE, QUICK SET UP (French Version) (KDL-52W3000 Only)	
					3-212-601-31	GUIDE, QUICK SET UP (Spanish Version) (KDL-52W3000 Only)	
					3-272-407-11	GUIDE, QUICK SET UP (KDL-52WL130 Only)	
					3-295-149-11	GUIDE, QUICK SET UP (KDL-52WL135 Only)	
*	X-2186-601-1	BAG ASSY, RUDDER LOCK (KDL-40VL130 Only) (Contains the 4 items below)			3-215-019-14	MANUAL, INSTRUCTION (KDL-40VL130 Only)	
	X-2186-603-1	LOCK ASSY, RUDDER (Strap) (KDL-40VL130 Only)			3-212-598-14	MANUAL, INSTRUCTION (English Version) (KDL-52W3000 Only)	
	2-591-689-01	BELT (KDL-40VL130 Only)			3-212-598-23	MANUAL, INSTRUCTION (French Version) (KDL-52W3000 Only)	
	2-593-320-02	SCREW, CION (M6X18)			3-212-598-33	MANUAL, INSTRUCTION (Spanish Version) (KDL-52W3000 Only)	
	2-580-663-01	SCREW, WOOD 3.8X20			3-272-406-11	MANUAL, INSTRUCTION (KDL-52WL130 Only)	
					3-295-148-11	MANUAL, INSTRUCTION (KDL-52WL135 Only)	



A-1519-918-A UB2 BOARD, COMPLETE
(KDL-52WL135 Only)
(The UB2 Board contains critical adjustment data, therefore, if service is required, complete board replacement is the repair method.)

ACCESSORIES AND PACKING

1-832-937-11 AC POWER-SUPPLY CORD SET

REF. NO.	PART NO.	DESCRIPTION	VALUES	REF. NO.	PART NO.	DESCRIPTION	VALUES
	3-274-931-11	SHEET, PROTECTION (KDL-40VL130 Only)			<u>REMOTE COMMANDER</u>		
*	3-217-307-01	TRAY (KDL-40VL130 Only)		1-480-166-11	REMOTE COMMANDER (RM-YD014) (KDL-40VL130/52WL135 Only)		
*	3-197-114-01	TRAY (ALL EXCEPT KDL-40VL130)		9-885-110-88	BATTERY COVER (RM-YD014) (KDL-40VL130/52WL135 Only)		
*	3-217-308-02	TRAY, TOP (KDL-40VL130 Only)		1-480-301-11	REMOTE COMMANDER (RM-YD017) (KDL-52W3000/52WL130 Only)		
*	3-197-115-02	TRAY, TOP (ALL EXCEPT KDL-40VL130)		9-885-114-46	COVER SLIDE (BATTERY COVER RM-YD017) (KDL-52W3000/52WL130 Only)		
	<u>MISCELLANEOUS</u>						
	1-910-038-18	CONNECTOR ASSY (LUG) (ALL EXCEPT KDL-40VL130)					
	3-268-758-11	GASKET (1X7) (For UB2 Shield) (KDL-52WL135 Only)					
	2-580-626-01	SCREW, SP 4-40 UNC					
*	3-269-273-01	SPACER, BUTTON					
	3-270-545-01	TAPE, LVDS (KDL-40VL130 Only)					




Sony Corporation
 Sony Technology Center
 Technical Services
 Service Promotion Department

English
 2007HJ74WEB-1
 Printed in USA
 © 2007.08

APPENDIX A: ENCRYPTION KEY COMPONENTS

Encryption key components developed by Sony Corporation contain confidential information, and shall be handled under the non-disclosure obligations provided in the applicable agreement with Sony Corporation (and/or its subsidiary).

As part of this agreement specific instructions must be adhered to whenever a Circuit Board containing encryption key components is repaired and/or replaced pursuant to the following:

- 1) In the service manual the Circuit Board(s) containing encryption key components shall be identified with a **red outline and a **.
- 2) Only repair boards or components listed in the service manual shall be utilized for replacement and/or repair.
- 3) Disassembly, decryption, or reverse-engineering component(s) is strictly prohibited.
- 4) Any board in which the Servicer replaces an encryption key component must be placed back into the set it originally came from and the replaced defective component **MUST BE DESTROYED**. Boards cannot be swapped.
- 5) If a Circuit Board identified with a **red outline and a ** in the service manual is deemed to be defective:
 - a) and if a core charge is imposed and is covered under the product warranty, the defective un-repaired or modified board **MUST BE RETURNED** to Sony.
 - b) and if the core charge is **NOT** covered under the product warranty, the defective un-repaired or modified board **MUST BE DESTROYED**.
- 5) If a unit is destroyed (such as field scrap), the Circuit Board identified with a **red outline and a ** in the service manual **MUST BE DESTROYED**.

In an effort to reduce the size of this pdf file the tiled schematics are not attached to this Service Manual. To receive a complete set of the tiled schematics for this manual please submit a request to the Service Promotion Department at Service_Promotion@am.sony.com.